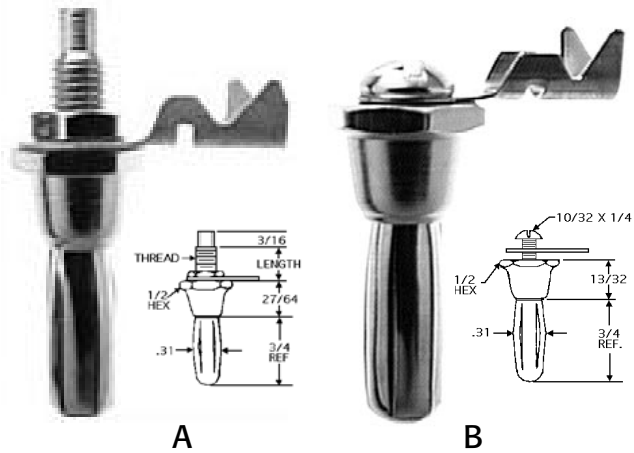


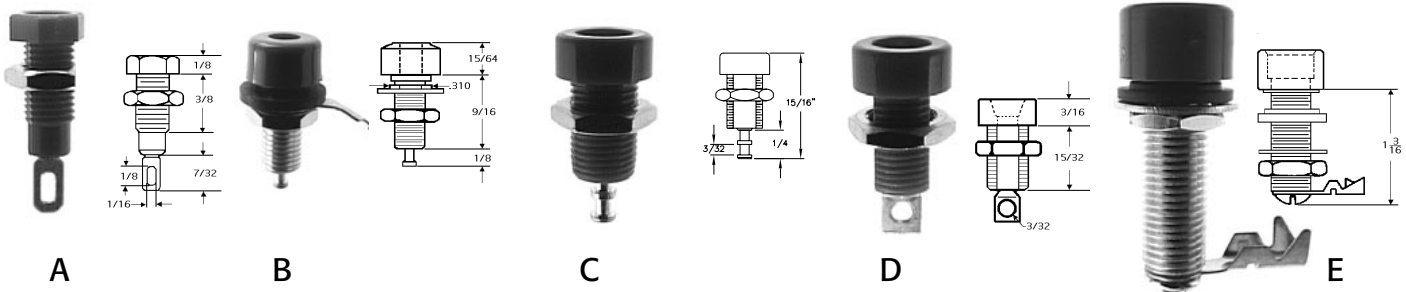
Giant Banana Plugs

PART NO.	FIG.	STUD		AMPS
		THREAD	LENGTH	AC
185	A	1/4-28	13/32	25
186	B	10-32	Hole	25

- Giant uninsulated banana plugs and machined brass bodies with nickel plating and beryllium copper springs that are also nickel plated.
- Supplied with lug and screw as shown. Solder wire to lug between nut and panel.
- Fits 286 style giant insulated banana jack or style 157 giant uninsulated banana jack (page 24).
- Rated at 25 Amps AC



Insulated Banana Jacks



- Metal body jacks are nickel plated brass.
- Jacks mount and are insulated from panel in 5/16" holes. Metal body jacks can be conductive-to-panel mounted in 1/4" holes. All are held with nut supplied.
- Available in red (-102) or black (-103) as standard, call for other colors.
- Wire wraps and solders around turret or through hole in interior contact. Wire can be soldered to lug supplied on metal body jacks.
- Rated at 15 Amps AC for 10°C temperature rise, continuous duty. Voltage 1 KVAC.

PART NO.	FIG.	TYPE	HEAD DIA.	HEAD HEIGHT	BODY LENGTH	THREAD	I.D.	INSULATING MATERIAL
1458	A	Miniature, All Insul.	5/16	1/8	5/8	1/4-32	.104	Polycarbonate
205	B	Standard, Metal Body	7/16	15/64	9/16		5/16-32	.161
1499	C	Standard, All Insul., "D" Body		3/16	15/32	3/8-24		
1509	D							
286	E	Giant	5/8	3/8	13/16			Nylon

Banana Plugs and Jacks