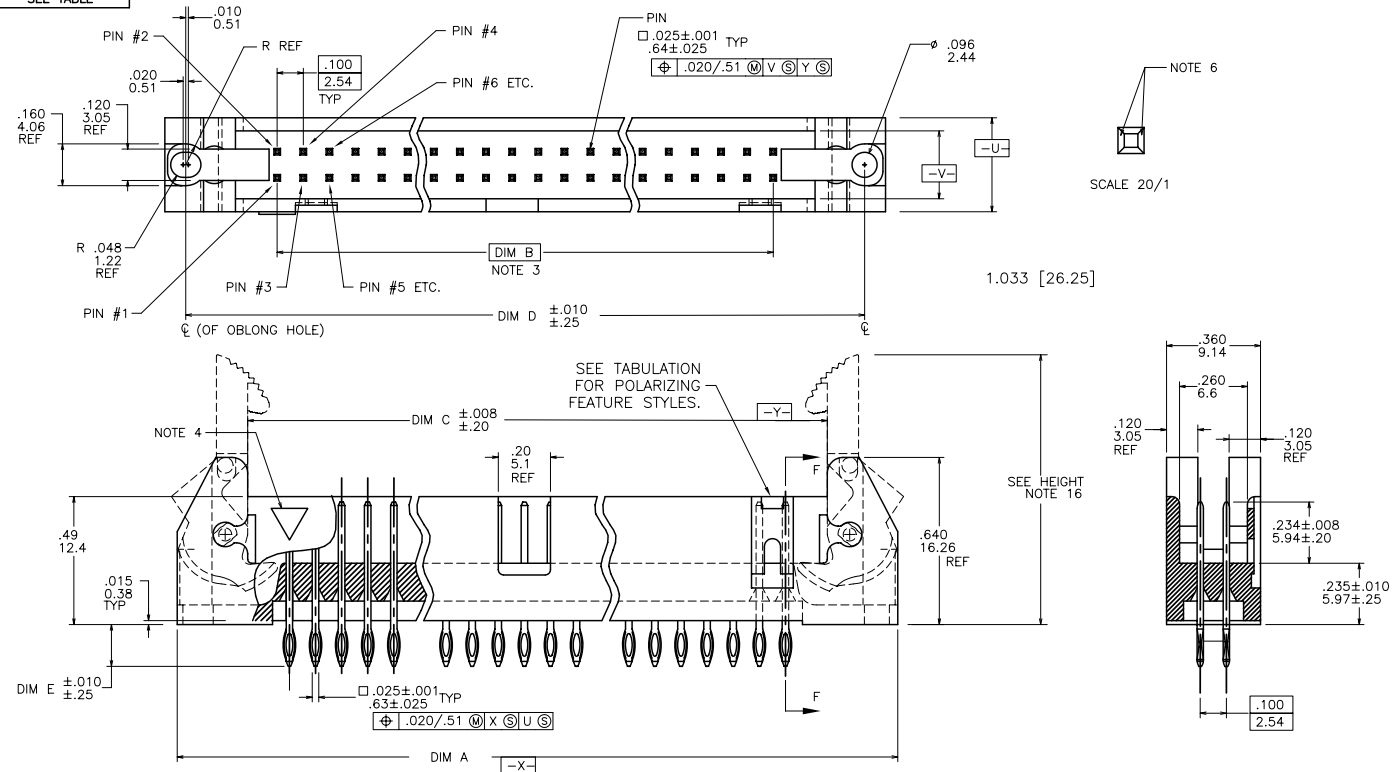


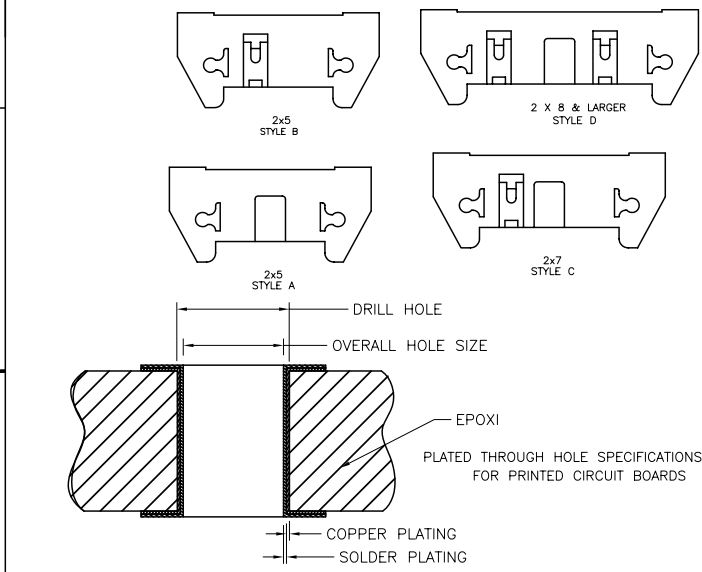
PRODUCT NUMBER
SEE TABLE



mat'l code		surface	tolerance	projection	product family									
ISO 1802		ISO 406	ISO 1101	INCH/MM	QUICKIE									
tolerances unless otherwise specified		angles	linear	scale	title									
A M07-0277 MHT 6/18/07		0°±2'	XXX±.001/XXX±.001	1:1	E.O.N. HDR. ASSEMBLY									
B M08-0135 MHT 6/116/08			XXXX±.002/XXXX±.001		SEA HORSE 4 WALL									
C M08-0161 MHT 6/03/08					dwg no 10080054 sheet 1 of 13 size A3									
D M08-0168 MHT 6/16/08		dr	M.HERNANDEZ 6/18/07		type Product Customer Drawing									
E M08-0210 MHT 7/14/08		engr	M.BARRIOS 6/18/07											
		chr	M.BARRIOS 6/18/07											
		appd	M.BARRIOS 6/18/07											
sheet index	revision sheet	E 1	E 2	E 3	E 4	E 5	E 6	E 7	E 8	E 9	E 10	E 11	E 12	E 13

PDM: Rev:E STATUS:Released Printed: Apr 12, 2011

	PLATING	NOTE 6
1	30u"/.76u Au OVER 50u "/1.27u Ni	NOTE 14
2	30u"/.76u GXT/GOLD FLASH	NOTE 14
4	30u"/.76u GXT & 100u"/2.54u Sn DUPLEX	
5	30u"/.76u GOLD & 100u"/2.54u Sn DUPLEX	



SURFACE FINISH					
Ag	Au	HOLE PLATING	SnPb	Sn	Copper
.037-.043 [0.94-1.09]	.037-.043 [0.94-1.09]	HOLE DIAMETER AFTER PLATING	.037-.043 [0.94-1.09]	.037-.043 [0.94-1.09]	.037-.043 [0.94-1.09]
.0443-.0463 [1.12-1.17]	.0443-.0463 [1.12-1.17]	DRILLED HOLE	.0443-.0463 [1.12-1.17]	.0443-.0463 [1.12-1.17]	.0443-.0463 [1.12-1.17]
.001-.003 [0.025-0.076]	.001-.003 [0.025-0.076]	COPPER PLATING	.001-.003 [0.025-0.076]	.001-.003 [0.025-0.076]	.001-.003 [0.025-0.076]
-	-	TIN LEAD PLATING	.0003-.0005 [0.0076-0.0127]	-	-
-	.0002-.0003 [0.0051-0.0076]	NICKEL PLATING	-	-	-
-	.000004-.000008 [.0001-.0002]	GOLD PLATING	-	-	-
-	-	IMMERSION Sn	-	.000039-.000051 [.0009-.0013]	-
.000016-.000024 [0.0004-0.0006]	-	IMMERSION Ag	-	-	-

- NOTES:
- BODY MATERIAL; 30% GLASS FILLED POLYESTER FLAME RETARDANT PER UL 94-VO COLOR-BLUE. -1XX TO -6XX BLUE PBT -7XX TO -9XX GREY PBT
 - UNLESS OTHERWISE SPECIFIED, 1' MAX DRAFT PERMISSIBLE ON ALL SURFACES.
 - DIM B BASIC DIM SHALL BE LOCATED SYMMETRICAL TO DATUM -Y--.
 - TRIANGLE, LOGO, & PART NO. AND THEIR LOCATIONS OPTIONAL.
 - PIN MATERIAL; 3/4 HD. PHOSPHOR BRONZE ALLOY UNS-C51000.
 - TWO NON-CRITICAL SIDES OF TIPS NOT PLATED. TYP BOTH ENDS.
 - RECOMMENDED MOUNTING SCREW - #2-56 FILLISTER HEAD MACHINE SCREW .25/6.35 LONG FOR .063/1.58 & .094/2.38 BOARDS, .313/7.93 LONG FOR .125/3.18 BOARDS.
 - 3 LBS/1.36 KG PIN RETENTION IN BOTH DIRECTIONS.
 - LOW PROFILE LATCHES TO BE USED WITH FEMALE CONNECTOR WITHOUT STRAIN RELIEF STANDARD LATCHES TO BE USED WITH FEMALE CONNECTORS WITH STRAIN RELIEF.
 - ADD AN "A" AFTER THE 8 DIGIT PART NUMBER FOR CUSTOMER SPECIAL.
 - RECOMMENDED PLATED-THRU-HOLE DIMENSIONS ARE: DRILLED HOLE: .0453/1.151±.0010/.025 DIA COPPER PLATING THICKNESS .001/.025 TO .003/.076 SOLDER PLATING THICKNESS: .0003/.076 TO .0007/.0178 OVERALL HOLE SIZE: .040/1.016±.003/.076 DIA
 - PART NUMBERS WITH "LF" SUFFIX AT THE END OF PART NUMBER ARE LEAD FREE
 - THESE PRODUCT MEETS EUROPEAN UNION DIRECTIVES AND OTHER COUNTRY REGULATION AS DESCRIBED IN GS-22-008.
 - PLATING OPTIONS: MAY BE EITHER GOLD OR GXT PLATED AT MANUFACTURER'S OPTION.
 - THE PRODUCT IS NOT INTENDED TO BE EXPOSED TO A MANUFACTURING SOLDER PROCESS.
 - SEA-HORSE REFERENCE HEIGHT: STANDARD SEA-HORSE: 1.035/26.29 LOW PROFILE SEA-HORSE: 0.920/23.37

mat'l code	surface ISO 1902	tolerance ISO 406 ISO 1101	projection	product family QUICKIE
itr	ecr no	dr	date	tolerances unless otherwise specified
E				angles linear
				0°±2°
				dr M.HERNANDEZ 6/18/07
				engr M.BARRIOS 6/18/07
				chr M.BARRIOS 6/18/07
				appd M.BARRIOS 6/18/07
sheet index	revision sheet			

PRODUCT NUMBER	SIZE	STYLE	LATCH	DIM A	DIM B	DIM C	DIM D	DIM E	PIN PLATING SEE SHT. 2	LEAD FREE
10080054-037LF	2 X 7	C	NONE	1.46/37.08	.600/15.24	.920/23.37	1.300/33.02	.160/4.06	1	NOTE 12
-038LF								.160/4.06	2	
-039LF								.610/15.49	1	NOT TOOLED
-040LF								.610/15.49	2	NOT TOOLED
-041LF								.733/18.62	1	NOT TOOLED
-042LF			NONE					.733/18.62	2	NOT TOOLED
-043LF			STD.					.160/4.06	1	
-044LF								.160/4.06	2	
-045LF								.610/15.49	1	NOT TOOLED
-046LF								.610/15.49	2	NOT TOOLED
-047LF								.733/18.62	1	NOT TOOLED
-048LF			STD.					.733/18.62	2	NOT TOOLED
-049LF			LOW PROFILE					.160/4.06	1	
-050LF								.160/4.06	2	
-051LF								.610/15.49	1	NOT TOOLED
-052LF								.610/15.49	2	NOT TOOLED
-053LF								.733/18.62	1	NOT TOOLED
-054LF	2 X 7	C	LOW PROFILE	1.46/37.08	.600/15.24	.920/23.37	1.300/33.02	.733/18.62	2	NOT TOOLED
-055LF	2 X 8	D	NONE	1.56/39.62	.700/17.78	1.020/25.91	1.400/35.56	.160/4.06	1	
-056LF								.160/4.06	2	
-057LF								.610/15.49	1	NOT TOOLED
-058LF								.610/15.49	2	NOT TOOLED
-059LF								.733/18.62	1	NOT TOOLED
-060LF			NONE					.733/18.62	2	NOT TOOLED
-061LF			STD.					.160/4.06	1	
-062LF								.160/4.06	2	
-063LF								.610/15.49	1	NOT TOOLED
-064LF								.610/15.49	2	NOT TOOLED
-065LF								.733/18.62	1	NOT TOOLED
-066LF			STD.					.733/18.62	2	NOT TOOLED
-067LF			LOW PROFILE					.160/4.06	1	
-068LF								.160/4.06	2	
-069LF								.610/15.49	1	NOT TOOLED
-070LF								.610/15.49	2	NOT TOOLED
-071LF								.733/18.62	1	NOT TOOLED
10080054-072LF	2 X 8	D	LOW PROFILE	1.56/39.62	.700/17.78	1.020/25.91	1.400/35.56	.733/18.62	2	NOTE #2



Copyright FCI

mat'l. code	surface ISO 1302	tolerance ISO 406 ISO 1101	projection	product family QUICKIE
itr	ecrn no	dr	date	title
E				E.O.N. HDR. ASSEMBLY SEA HORSE 4 WALL
				dwg no 10080054 sheet 4 of 13 size A3
				type Product Customer Drawing
sheet index	revision sheet			

PRODUCT NUMBER	SIZE	STYLE	LATCH	DIM A	DIM B	DIM C	DIM D	DIM E	PIN PLATING	LEAD FREE
10080054-073LF	2 X 10	D	NONE	1.76/44.70	.900/22.86	1.220/30.99	1.600/40.64	.160/4.06	1	NOTE 12
-074LF								.160/4.06	2	
-075LF								.610/15.49	1	
-076LF								.610/15.49	2	
-077LF								.733/18.62	1	
-078LF			NONE					.733/18.62	2	
-079LF			STD.					.160/4.06	1	
-080LF								.160/4.06	2	
-081LF								.610/15.49	1	NOT TOOLED
-082LF								.610/15.49	2	NOT TOOLED
-083LF								.733/18.62	1	NOT TOOLED
-084LF			STD.					.733/18.62	2	NOT TOOLED
-085LF			LOW PROFILE					.160/4.06	1	
-086LF								.160/4.06	2	
-087LF								.610/15.49	1	NOT TOOLED
-088LF								.610/15.49	2	NOT TOOLED
-089LF								.733/18.62	1	NOT TOOLED
-090LF	2 X 10	D	LOW PROFILE	1.76/44.70	.900/22.86	1.220/30.99	1.600/40.64	.733/18.62	2	NOT TOOLED
-091LF	2 X 12	D	NONE	1.96/49.78	1.100/27.94	1.420/36.07	1.800/45.72	.160/4.06	1	
-092LF								.160/4.06	2	
-093LF								.610/15.49	1	NOT TOOLED
-094LF								.610/15.49	2	NOT TOOLED
-095LF								.733/18.62	1	NOT TOOLED
-096LF			NONE					.733/18.62	2	NOT TOOLED
-097LF			STD.					.160/4.06	1	
-098LF								.160/4.06	2	
-099LF								.610/15.49	1	NOT TOOLED
-100LF								.610/15.49	2	NOT TOOLED
-101LF								.733/18.62	1	NOT TOOLED
-102LF			STD.					.733/18.62	2	NOT TOOLED
-103LF			LOW PROFILE					.160/4.06	1	
-104LF								.160/4.06	2	
-105LF								.610/15.49	1	NOT TOOLED
-106LF								.610/15.49	2	NOT TOOLED
-107LF								.733/18.62	1	NOT TOOLED
10080054-108LF	2 X 12	D	LOW PROFILE	1.96/49.78	1.100/27.94	1.420/36.07	1.800/45.72	.733/18.62	2	NOTE 12

mat'l. code	surface ISO 1302	tolerance ISO 406 ISO 1101	projection	product family QUICKIE
itr	ecr no	dr	date	title
E				E.O.N. HDR. ASSEMBLY SEA HORSE 4 WALL
				dwg no 10080054 sheet 5 of 13 size A3
				type Product Customer Drawing
sheet index	revision sheet			

PDM: Rev:E STATUS:Released Printed: Apr 12, 2011

PRODUCT NUMBER	SIZE	STYLE	LATCH	DIM A	DIM B	DIM C	DIM D	DIM E	PIN PLATING	LEAD FREE	
10080054-145LF	2 X 17	D	NONE	2.46/62.48	1.600/40.64	1.920/48.79	2.300/58.42	.160/4.06	1		NOTE 12
-146LF								.160/4.06	2		
-147LF								.610/15.49	1		NOT TOOLED
-148LF								.610/15.49	2		NOT TOOLED
-149LF								.733/18.62	1		NOT TOOLED
-150LF			NONE					.733/18.62	2		NOT TOOLED
-151LF			STD.					.160/4.06	1		
-152LF								.160/4.06	2		
-153LF								.610/15.49	1		NOT TOOLED
-154LF								.610/15.49	2		NOT TOOLED
-155LF								.733/18.62	1		NOT TOOLED
-156LF			STD.					.733/18.62	2		NOT TOOLED
-157LF			LOW PROFILE					.160/4.06	1		
-158LF								.160/4.06	2		
-159LF								.610/15.49	1		NOT TOOLED
-160LF								.610/15.49	2		NOT TOOLED
-161LF								.733/18.62	1		NOT TOOLED
-162LF	2 X 17	D	LOW PROFILE	2.46/62.48	1.600/40.64	1.920/48.79	2.300/58.42	.733/18.62	2		NOT TOOLED
-163LF	2 X 20	D	NONE	2.76/70.10	1.900/48.26	2.220/56.39	2.600/66.04	.160/4.06	1		
-164LF								.160/4.06	2		
-165LF								.610/15.49	1		NOT TOOLED
-166LF								.610/15.49	2		NOT TOOLED
-167LF								.733/18.62	1		NOT TOOLED
-168LF			NONE					.733/18.62	2		NOT TOOLED
-169LF			STD.					.160/4.06	1		
-170LF								.160/4.06	2		
-171LF								.610/15.49	1		NOT TOOLED
-172LF								.610/15.49	2		NOT TOOLED
-173LF								.733/18.62	1		NOT TOOLED
-174LF			STD.					.733/18.62	2		NOT TOOLED
-175LF			LOW PROFILE					.160/4.06	1		
-176LF								.160/4.06	2		
-177LF								.610/15.49	1		NOT TOOLED
-178LF								.610/15.49	2		NOT TOOLED
-179LF								.733/18.62	1		NOT TOOLED
10080054-180LF	2 X 20	D	LOW PROFILE	2.76/70.10	1.900/48.26	2.220/56.39	2.600/66.04	.733/18.62	2		NOTE 12



Copyright FCI

mat'l. code	surface ISO 1302	tolerance ISO 406 ISO 1101	projection	product family QUICKIE
itr	ecr no	dr	date	title E.O.N. HDR. ASSEMBLY SEA HORSE 4 WALL
E				dwg no 10080054
				sheet 7 of 13 size A3
				type Product Customer Drawing
sheet index	revision	sheet		

PDM: Rev:E STATUS:Released Printed: Apr 12, 2011

PRODUCT NUMBER	SIZE	STYLE	LATCH	DIM A	DIM B	DIM C	DIM D	DIM E	PIN PLATING	LEAD FREE	
10080054-181LF	2 X 22	D	NONE	2.96/75.18	2.100/53.34	2.420/61.47	2.800/71.12	.160/4.06	1		NOTE 12
-182LF								.160/4.06	2		
-183LF								.610/15.49	1		NOT TOOLED
-184LF								.610/15.49	2		NOT TOOLED
-185LF								.733/18.62	1		NOT TOOLED
-186LF			NONE					.733/18.62	2		NOT TOOLED
-187LF			STD.					.160/4.06	1		
-188LF								.160/4.06	2		
-189LF								.610/15.49	1		NOT TOOLED
-190LF								.610/15.49	2		NOT TOOLED
-191LF								.733/18.62	1		NOT TOOLED
-192LF			STD.					.733/18.62	2		NOT TOOLED
-193LF			LOW PROFILE					.160/4.06	1		
-194LF								.160/4.06	2		
-195LF								.610/15.49	1		NOT TOOLED
-196LF								.610/15.49	2		NOT TOOLED
-197LF								.733/18.62	1		NOT TOOLED
-198LF	2 X 22	D	LOW PROFILE	2.96/75.18	2.100/53.34	2.420/61.47	2.800/71.12	.733/18.62	2		NOT TOOLED
-199LF	2 X 25	D	NONE	3.26/82.80	2.400/60.96	2.720/69.09	3.100/78.74	.160/4.06	1		
-200LF								.160/4.06	2		
-201LF								.610/15.49	1		NOT TOOLED
-202LF								.610/15.49	2		NOT TOOLED
-203LF								.733/18.62	1		NOT TOOLED
-204LF			NONE					.733/18.62	2		NOT TOOLED
-205LF			STD.					.160/4.06	1		
-206LF								.160/4.06	2		
-207LF								.610/15.49	1		NOT TOOLED
-208LF								.610/15.49	2		NOT TOOLED
-209LF								.733/18.62	1		NOT TOOLED
-210LF			STD.					.733/18.62	2		NOT TOOLED
-211LF			LOW PROFILE					.160/4.06	1		
-212LF								.160/4.06	2		
-213LF								.610/15.49	1		NOT TOOLED
-214LF								.610/15.49	2		NOT TOOLED
-215LF								.733/18.62	1		NOT TOOLED
10080054-216LF	2 X 25	D	LOW PROFILE	3.26/82.80	2.400/60.96	2.720/69.09	3.100/78.74	.733/18.62	2		NOTE 12



Copyright FCI

mat'l. code	surface ISO 1902	tolerance ISO 406 ISO 1101	projection	product family QUICKIE
itr	ecr no	dr	date	title E.O.N. HDR. ASSEMBLY SEA HORSE 4 WALL
E				dwg no 10080054
				sheet 8 of 13 size A3
				type Product Customer Drawing
sheet index	revision	sheet		

PRODUCT NUMBER	SIZE	STYLE	LATCH	DIM A	DIM B	DIM C	DIM D	DIM E	PIN PLATING	LEAD FREE	
10080054-217LF	2 X 30	D	NONE	3.76/95.50	2.900/73.66	3.220/81.79	3.600/91.44	.160/4.06	1		NOTE 12
-218LF								.160/4.06	2		
-219LF								.610/15.49	1		NOT TOOLED
-220LF								.610/15.49	2		NOT TOOLED
-221LF								.733/18.62	1		NOT TOOLED
-222LF			NONE					.733/18.62	2		NOT TOOLED
-223LF			STD.					.160/4.06	1		
-224LF								.160/4.06	2		
-225LF								.610/15.49	1		NOT TOOLED
-226LF								.610/15.49	2		NOT TOOLED
-227LF								.733/18.62	1		NOT TOOLED
-228LF			STD.					.733/18.62	2		NOT TOOLED
-229LF			LOW PROFILE					.160/4.06	1		
-230LF								.160/4.06	2		
-231LF								.610/15.49	1		NOT TOOLED
-232LF								.610/15.49	2		NOT TOOLED
-233LF								.733/18.62	1		NOT TOOLED
-234LF	2 X 30	D	LOW PROFILE	3.76/95.50	2.900/73.66	3.220/81.79	3.600/91.44	.733/18.62	2		NOT TOOLED
-235LF	2 X 5	A	STD.	1.26/32.00	.400/10.16	.720/18.28	1.100/27.94	.250/6.35	2		NOTE 10 NOT TOOLED
-236LF	2 X 8	D		1.56/39.62	.700/17.78	1.020/25.91	1.400/35.56				NOTE 10 NOT TOOLED
-237LF	2 X 10			1.76/44.70	.900/22.86	1.220/30.99	1.600/40.64				NOTE 10 NOT TOOLED
-238LF	2 X 13			2.06/52.34	1.200/30.48	1.520/38.61	1.900/48.26				NOTE 10 NOT TOOLED
-239LF	2 X 17			2.46/62.48	1.600/40.64	1.920/48.79	2.300/58.42				NOTE 10 NOT TOOLED
-240LF	2 X 20			2.76/70.10	1.900/48.26	2.220/56.39	2.600/66.04				NOTE 10 NOT TOOLED
-241LF	2 X 25			3.26/82.80	2.400/60.96	2.720/69.09	3.100/78.74				NOTE 10 NOT TOOLED
-242LF	2 X 30	D	STD.	3.76/95.50	2.900/73.66	3.220/81.79	3.600/91.44				NOTE 10 NOT TOOLED
-243LF	2 X 15	D	STD.	2.26/57.40	1.400/35.56	1.720/43.69	2.100/53.34				NOTE 10 NOT TOOLED
-244LF	2 X 5	A	NONE	1.26/32.00	.400/10.16	.720/18.28	1.100/27.94				NOT TOOLED
-245LF	2 X 8	D		1.56/39.62	.700/17.78	1.020/25.91	1.400/35.56				NOT TOOLED
-246LF	2 X 10			1.76/44.70	.900/22.86	1.220/30.99	1.600/40.64				NOT TOOLED
-247LF	2 X 13			2.06/52.34	1.200/30.48	1.520/38.61	1.900/48.26				NOT TOOLED
-248LF	2 X 17			2.46/62.48	1.600/40.64	1.920/48.79	2.300/58.42				NOT TOOLED
-249LF	2 X 20			2.76/70.10	1.900/48.26	2.220/56.39	2.600/66.04				NOT TOOLED
-250LF	2 X 25			3.26/82.80	2.400/60.96	2.720/69.09	3.100/78.74				NOT TOOLED
10080054-251LF	2 X 30			3.76/95.50	2.900/73.66	3.220/81.79	3.600/91.44	.250/6.35	2		NOTE 12

mat'l. code	surface ISO 1302	tolerance ISO 406 ISO 1101	projection	product family QUICKIE
itr	ecr no	dr	date	title
E				E.O.N. HDR. ASSEMBLY SEA HORSE 4 WALL
	angles	linear	scale 1:1	dwg no
	0°±2°	XXX1.00/XXX1.03 XXX4.00/XXX4.05		10080054
	dr	engr	chr	sheet 9 of 13 size
	M.HERNANDEZ	M.BARRIOS	M.BARRIOS	A3
	6/18/07	6/18/07	6/18/07	type
				Product Customer Drawing
sheet index	revision	sheet		

PDM: Rev:E STATUS:Released Printed: Apr 12, 2011

PRODUCT NUMBER	SIZE	STYLE	LATCH	DIM A	DIM B	DIM C	DIM D	DIM E	PIN PLATING	POLARIZED MISSING PIN	LEAD FREE	
10080054-252LF	2 x 15	—B—	NONE	2.26/57.40	1.460/36.56	1.720/43.69	2.100/53.34	.250/6.35	2		NOTE 12	NOT TOOLED
10080054-253LF	2 X 20	D	STD.	2.76/70.10	1.900/48.26	2.220/56.39	2.600/66.04	.160/4.06	2	PIN #20	NOTE 12	
10080054-309LF	2 x 5	—B—	STD.	1.26/32.00	.460/10.16	.720/18.28	1.100/27.94	.160/4.06	1	PIN #1	NOTE 12	NOT TOOLED
10080054-310LF	2 x 17	D	STD.	2.46/62.48	1.600/40.64	1.920/48.79	2.300/58.42	.160/4.06	1	PIN #25	NOTE 12	



Copyright FCJ

mat'l. code	surface ISO 1302	tolerance ISO 406 ISO 1101	projection 	product family QUICKIE
itr	ecm no	dr	date	title E.O.N. HDR. ASSEMBLY SEA HORSE 4 WALL
E				angles 0°±2°
				linear XX±.01/XX±.01 XXX±.002/XXX±.001
				scale 1:1
				dwg no 10080054 sheet 10 of 13 size A3
				type Product Customer Drawing
sheet index	revision sheet			

PDM: Rev:E STATUS:Released Printed: Apr 12, 2011

PRODUCT NUMBER	SIZE	STYLE	LATCH	DIM A	DIM B	DIM C	DIM D	DIM E	PIN PLATING	NOTES	PIN REMOVED	LEAD FREE
10080054-400LF	Z x 5	A	NONE	1.26/32.00	.400/10.16	-.720/18.28	1.100/27.94	.250/6.35	4			NOTE 12
-401LF	Z x 7	C		1.460/37.08	.600/15.24	-.920/23.37	1.300/33.02					
-402LF	Z x 8	D		1.56/39.62	.700/17.78	1.020/25.91	1.400/35.56					
-403LF	Z x 10			1.76/44.70	.900/22.86	1.220/30.99	1.600/40.64					
-404LF	Z x 12			1.960/49.78	1.100/27.94	1.420/36.07	1.800/45.72					
-405LF	Z x 13			2.06/52.34	1.200/30.48	1.520/38.61	1.900/48.26					
-406LF	Z x 15			2.26/57.40	1.400/35.56	1.720/43.69	2.100/53.34					
-407LF	Z x 17			2.46/62.48	1.600/40.64	1.920/48.79	2.300/58.42					
-408LF	Z x 20			2.76/70.10	1.900/48.26	2.220/56.39	2.600/66.04					
-409LF	Z x 22			2.960/75.18	2.100/53.34	2.420/61.47	2.800/71.12					
-410LF	Z x 25			3.26/82.80	2.400/60.96	2.720/69.09	3.100/78.74					
-411LF	Z x 30	D	NONE	3.76/95.50	2.900/73.66	3.220/81.79	3.600/91.44					
-420LF	Z x 5	A	STD.	1.26/32.00	.400/10.16	-.720/18.28	1.100/27.94			NOTE 10		
-421LF	Z x 7	C		1.460/37.08	.600/15.24	-.920/23.37	1.300/33.02			NOTE 10		
-422LF	Z x 8	D		1.56/39.62	.700/17.78	1.020/25.91	1.400/35.56			NOTE 10		
-423LF	Z x 10			1.76/44.70	.900/22.86	1.220/30.99	1.600/40.64			NOTE 10		
-424LF	Z x 12			1.960/49.78	1.100/27.94	1.420/36.07	1.800/45.72			NOTE 10		
-425LF	Z x 13			2.06/52.34	1.200/30.48	1.520/38.61	1.900/48.26			NOTE 10		
-426LF	Z x 15			2.26/57.40	1.400/35.56	1.720/43.69	2.100/53.34			NOTE 10		
-427LF	Z x 17			2.46/62.48	1.600/40.64	1.920/48.79	2.300/58.42			NOTE 10		
-428LF	Z x 20			2.76/70.10	1.900/48.26	2.220/56.39	2.600/66.04			NOTE 10		
-429LF	Z x 22			2.960/75.18	2.100/53.34	2.420/61.47	2.800/71.12			NOTE 10		
-430LF	Z x 25			3.26/82.80	2.400/60.96	2.720/69.09	3.100/78.74			NOTE 10		
-431LF	Z x 30	D	STD.	3.76/95.50	2.900/73.66	3.220/81.79	3.600/91.44			NOTE 10		
-440LF	Z x 5	A	LOW PROFILE	1.26/32.00	.400/10.16	-.720/18.28	1.100/27.94					
-441LF	Z x 7	C		1.460/37.08	.600/15.24	-.920/23.37	1.300/33.02					
-442LF	Z x 8	D		1.56/39.62	.700/17.78	1.020/25.91	1.400/35.56					
-443LF	Z x 10			1.76/44.70	.900/22.86	1.220/30.99	1.600/40.64					
-444LF	Z x 12			1.960/49.78	1.100/27.94	1.420/36.07	1.800/45.72					
-445LF	Z x 13			2.06/52.34	1.200/30.48	1.520/38.61	1.900/48.26					
-446LF	Z x 15			2.26/57.40	1.400/35.56	1.720/43.69	2.100/53.34					
-447LF	Z x 17			2.46/62.48	1.600/40.64	1.920/48.79	2.300/58.42					
-448LF	Z x 20			2.76/70.10	1.900/48.26	2.220/56.39	2.600/66.04					
-449LF	Z x 22			2.960/75.18	2.100/53.34	2.420/61.47	2.800/71.12					
-450LF	Z x 25			3.26/82.80	2.400/60.96	2.720/69.09	3.100/78.74					
-451LF	Z x 30	D	LOW PROFILE	3.76/95.50	2.900/73.66	3.220/81.79	3.600/91.44	.250/6.35	4			
10080054-452LF	Z x 7	C	STD.	1.460/37.08	.600/15.24	.920/23.37	1.300/33.02	.160/4.06	1	NOTE 10	14	NOTE 12



Copyright FCI

mat'l code	surface ISO 1802	tolerance ISO 406 ISO 1101	projection	product family QUICKIE
itr	ecr no	dr	date	title E.O.N. HDR. ASSEMBLY SEA HORSE 4 WALL
E				angles linear XX4.01/XX4.03 XX4.05/XX4.13 XXX4.000/XXX4.051
				scale 1:1
				dwg no 10080054 sheet 11 of 13 size A3
				type Product Customer Drawing
sheet index	revision sheet			

