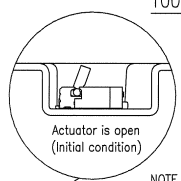
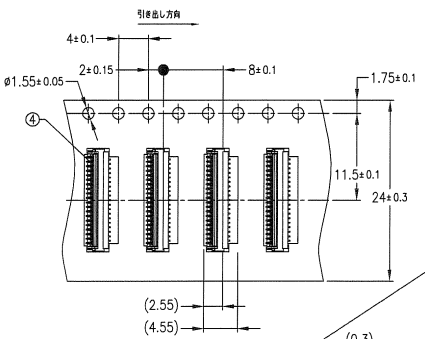
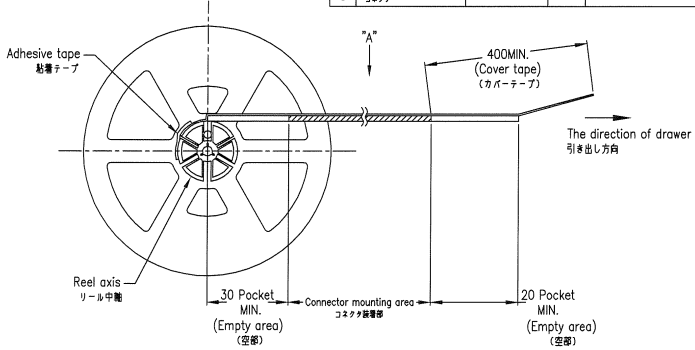
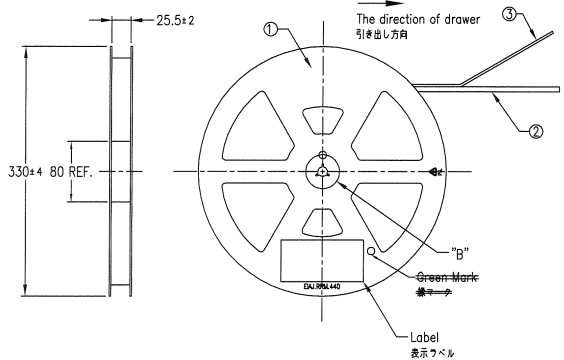


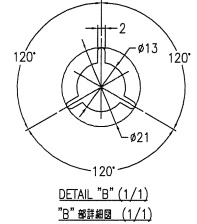
PRODUCT NO.
10064555-**-2**0*LF

| No. | Part name 部品名 | Material 材質 | QTY. | Note 備考 |
|-----|----------------------------------|------------------------|------|--|
| ① | The reel for packaging 巻取りリール | Polyethylene ポリエチレン | 1 | Color: White, Electrification prevention processing 色:白、帯電防止処理品 |
| ② | Emboss tape エンボステープ | PP or PET | 1 | Electrification prevention processing 帯電防止処理品 |
| ③ | Cover tape カバーテープ | Polyester ポリエステル | 1 | |
| ④ | Connector コネクタ | See sheet 2,3 | 3000 | |



<P/N composition> <P/N 構成>
10064555-39 2 1 1 0 E L F

- Lead Free
- Mold material 1E: Non-Halogen free
2H: Halogen free
- Embossing tape package O: 8mm PITCH
- TYPES OF PRODUCT 1: SMT / WITH CABLE LOCK
2: SMT / WITHOUT CABLE LOCK
- Contact Side 2: UPPER SIDE
- No of position
- Series name



NOTE
1. This article carries out the emboss tape package of the P/N10064555 series connector.
2. The shape and dimension of this article are based on JIS C 0806.
(Taping of electronic parts (Surface mounted device))

注意
1. 本品は P/N10064555シリーズをエンボステープ梱包したものである。
2. 本品の形状及び寸法規定は JIS C 0806 (電子部品のテーピング (表面実装部品)) に準拠する。

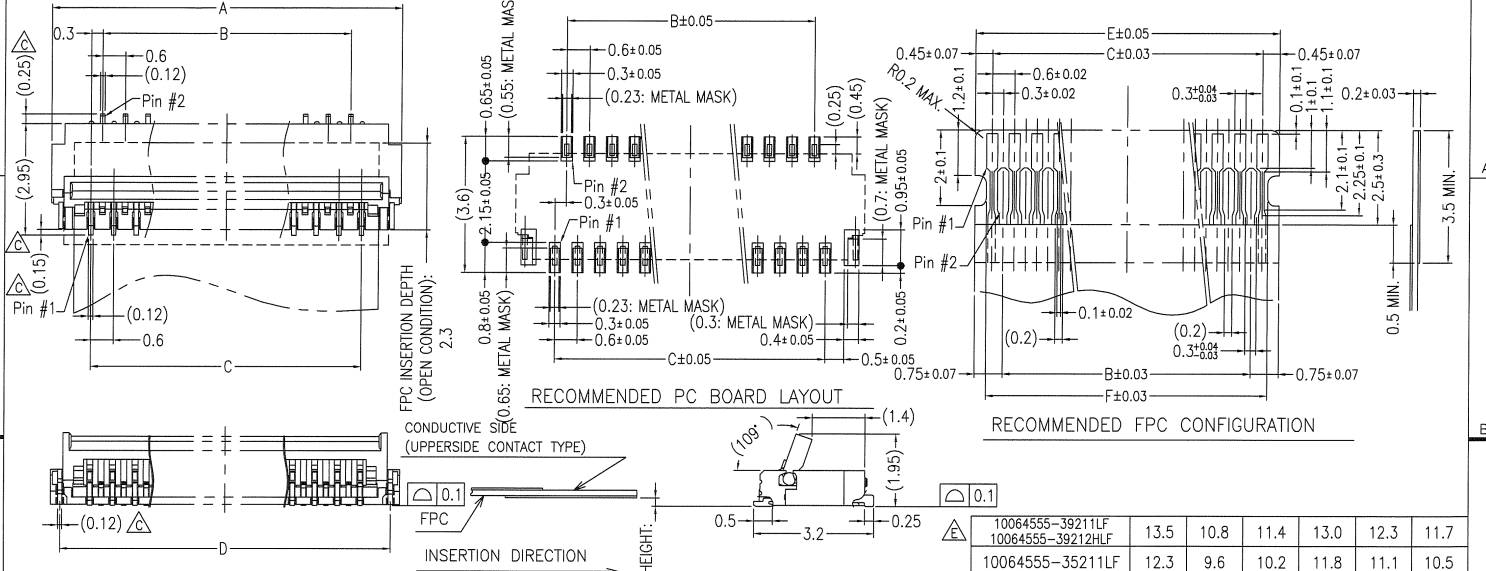
| mat'l. code | description | ecn no | dr | date | surface | tolerance | projection | product family | CODE |
|-------------|-------------|----------|-----|------------|----------|---------------------|------------|-------------------------------|----------------------|
| --- | --- | --- | --- | --- | ISO 1302 | ISO 406 ISO 1101 | MM | 589F FLEX 0.3 | JP |
| A | RELEASED | J06-0368 | Y.K | 09/06/06 | angles | 0.X ±0.2 | MM | ASSEMBLY | |
| B | REVISED | J07-0472 | Y.K | 2007-9-21 | linear | 0.XX ±0.2 | MM | 0.3mm PITCH CONNECTOR FOR FPC | |
| C | ADD NEW P/N | J08-0064 | Y.K | 2008-2-12 | 0°±2' | 0.XXX ±0.2 | scale 1:5 | YLL-U Series | |
| D | ADD NEW P/N | J08-0419 | Y.K | 2008-10-29 | dr | Y.KAMEDA 2011-03-16 | FCJ | 10064555 | sheet 1 of 3 size A3 |
| E | ADD H/F P/N | J11-0067 | Y.K | 2011-03-16 | chr | Y.KAMEDA 2011-03-16 | | Product Customer Drawing | Rev. E |

PDM: Rev:E STATUS:Released Printed: Mar 17, 2011

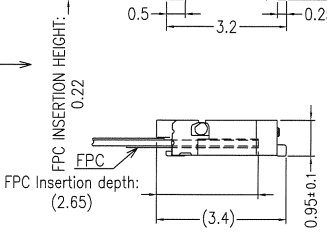
FCJ FCIconnect.com Copyright FCI.

form: A3 1 2 3 4 5 6

PRODUCT NO.
10064555-**21**LF



- NOTE
- 1.MATERIAL
 - 1)HOUSING:THERMOPLASTIC RESIN,UL94V-0, BLACK
 - 2)ACTUATOR:THERMOPLASTIC RESIN,UL94V-0, BEIGE
 - 3)CONTACT: COPPER ALLOY
 - 4)FIXING TAB: COPPER ALLOY
 - 2.FINISH
 - 1)CONTACT: ALL OVER Ni,(CONTACT AREA) Au FLASH. ,(SOLDER TAIL AREA) Au FLASH.
 - 2)FIXING TAB: ALL OVER Ni , Sn PLATING 1.5~3.5μm
 - 3.CO-PLANARITY: 0.1 MAX.
 - 4.THICKNESS OF A METAL MASK: 0.1mm
 - 5.FPC
 - 1)ADHESIVE METHOD OF SUPPORTING TAPE SHALL BE HEAT CRIMPING METHOD AND THERMOSETTING ADHESIVE MATERIAL SHALL BE USED.
 - 6.PRODUCT
 - 1)* MARK ITEM IS REFERENCE.
 - 2)RECOMMENDED PCB LAYOUT and FPC ARE THE SAME AS 10061122-**1110ELF(YLL-DOWN CONTACT TYPE).
 - 7.OTHER
 - THIS PRODUCT MEETS EUROPEAN UNION DIRECTIVES AND OTHER COUNTRY REGULATIONS AS DESCRIBED IN GS-22-008

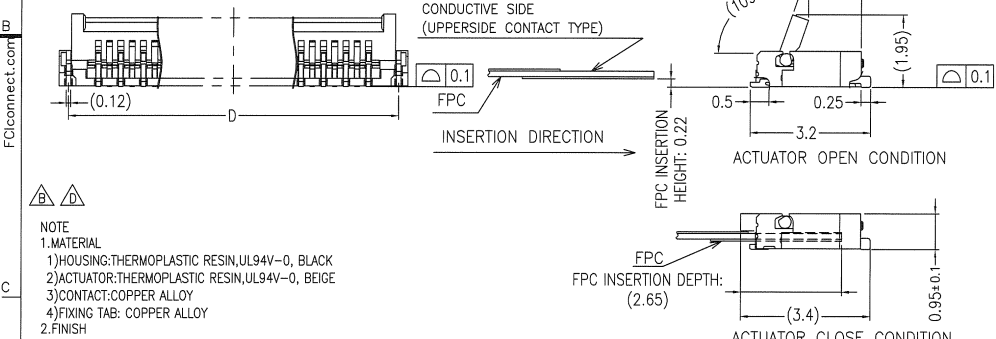
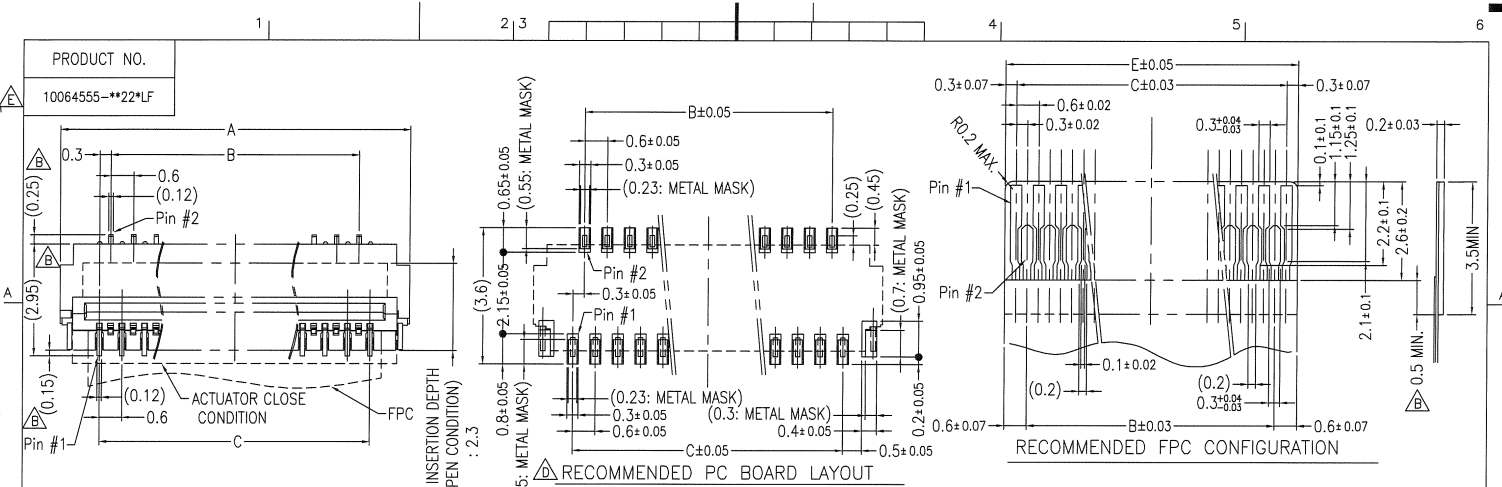


| P/N | A | B | C | D | E | F |
|-------------------|------|------|------|------|------|------|
| 10064555-39211LF | 13.5 | 10.8 | 11.4 | 13.0 | 12.3 | 11.7 |
| 10064555-39212HLF | 13.5 | 10.8 | 11.4 | 13.0 | 12.3 | 11.7 |
| 10064555-35211LF | 12.3 | 9.6 | 10.2 | 11.8 | 11.1 | 10.5 |
| 10064555-33211LF | 11.7 | 9 | 9.6 | 11.2 | 10.5 | 9.9 |
| 10064555-31211LF | 11.1 | 8.4 | 9 | 10.6 | 9.9 | 9.3 |
| 10064555-25211LF | 9.3 | 6.6 | 7.2 | 8.8 | 8.1 | 7.5 |
| 10064555-21211LF | 8.1 | 5.4 | 6.0 | 7.6 | 6.9 | 6.3 |
| 10064555-15211LF | 6.3 | 3.6 | 4.2 | 5.8 | 5.1 | 4.5 |

| mat'l. code | description | ecn no | dr | date | surface | tolerance | projection | product family | CODE |
|-------------|-------------|----------|-----|------------|----------|---------------------|------------|-------------------------------|------|
| --- | --- | --- | --- | --- | ISO 1302 | ISO 406 ISO 1101 | MM | 589F FLEX 0.3 | JP |
| A | RELEASED | j06-0368 | Y.K | 09/06/08 | angles | 0.X ±0.2 | MM | ASSEMBLY | |
| B | REVISED | j07-0472 | Y.K | 2007-9-21 | linear | 0.XX ±0.2 | MM | 0.3mm PITCH CONNECTOR FOR FPC | |
| C | ADD NEW P/N | j08-0064 | Y.K | 2008-2-12 | 0°±2' | 0.XXX ±0.2 | scale 10:1 | YLL-U Series | |
| D | ADD NEW P/N | j08-0419 | Y.K | 2008-10-29 | dr | Y.KAMEDA 2011-03-18 | | ASSEMBLY | |
| E | ADD NEW P/N | j11-0067 | Y.K | 2011-03-18 | chr | Y.KAMEDA 2011-03-18 | | 0.3mm PITCH CONNECTOR FOR FPC | |
| | | | | | appd | 2011-3-16 | | 10064555 | A3 |

| sheet index | revision sheet |
|-------------|----------------|
| 1 | 1 |

PRODUCT NO.
10064555-**22*LF



| | | | | | |
|-------------------|------|------|------|------|------|
| 10064555-41221LF | 14.1 | 11.4 | 12.0 | 13.6 | 12.6 |
| 10064555-39221LF | 13.5 | 10.8 | 11.4 | 13.0 | 12.0 |
| 10064555-37221LF | 12.9 | 10.2 | 10.8 | 12.4 | 11.4 |
| 10064555-33221LF | 11.7 | 9 | 9.6 | 11.2 | 10.2 |
| 10064555-31221LF | 11.1 | 8.4 | 9 | 10.6 | 9.6 |
| 10064555-27221LF | 9.9 | 7.2 | 7.8 | 9.4 | 8.4 |
| 10064555-25221LF | 9.3 | 6.6 | 7.2 | 8.8 | 7.8 |
| 10064555-23221LF | 8.7 | 6 | 6.6 | 8.2 | 7.2 |
| 10064555-21221LF | 8.1 | 5.4 | 6.0 | 7.6 | 6.6 |
| 10064555-15222HLF | 8.1 | 5.4 | 6.0 | 7.6 | 6.6 |

NOTE
 1. MATERIAL
 1) HOUSING: THERMOPLASTIC RESIN, UL94V-0, BLACK
 2) ACTUATOR: THERMOPLASTIC RESIN, UL94V-0, BEIGE
 3) CONTACT: COPPER ALLOY
 4) FIXING TAB: COPPER ALLOY
 2. FINISH
 1) CONTACT: ALL OVER Ni, (CONTACT AREA) Au FLASH, (SOLDER TAIL AREA) Au FLASH.
 2) FIXING TAB: ALL OVER Ni, Sn PLATING 1.5~3.5μm
 3) CO-PLANARITY: 0.1 MAX.
 4) THICKNESS OF A METAL MASK: 0.1mm
 5) FPC
 1) ADHESIVE METHOD OF SUPPORTING TAPE SHALL BE HEAT CRIMPING METHOD AND THERMOSETTING ADHESIVE MATERIAL SHALL BE USED.
 6. PRODUCT
 1) RECOMMENDED PCB LAYOUT and FPC ARE THE SAME AS 10061122-**1110ELF(YLL-DOWN CONTACT TYPE).
 7. OTHER
 THIS PRODUCT MEETS EUROPEAN UNION DIRECTIVES AND OTHER COUNTRY REGULATIONS AS DESCRIBED IN GS-22-008

| | | | | | | | | | | | |
|-------------|--------------|----------|----------|------------|---------------------------------------|------------|--------|----------------|---------------|--|--------------------------|
| mat'l. code | --- | surface | ISO 1302 | tolerance | ISO 406 ISO 1101 | projection | MM | product family | 589F FLEX 0.3 | CODE | JP |
| ltr | description | ecn no | dr | date | tolerances unless otherwise specified | angles | linear | title | ASSEMBLY | 0.3mm PITCH CONNECTOR FOR FPC YLL-U Series | |
| A | RELEASED | J07-0472 | Y.K | 2007-9-21 | 0.X | ±0.2 | → | scale 10:1 | | dwg no | sheet 3 of 3 size |
| B | REVISED | J08-0064 | Y.K | 2008-2-12 | 0.XXX | ±0.2 | | | | 10064555 | A3 |
| C | ONLY REV. UP | | Y.K | | | | | | | type | Product Customer Drawing |
| D | REVISED | J08-0419 | Y.K | 2008-10-29 | Y.KAMEDA | 2011-03-16 | | | | Rev. | |
| E | ADD NEW P/N | J11-0067 | Y.K | 2011-03-16 | Y.KAMEDA | 2011-03-16 | | | | E | |

PDM: Rev:E STATUS: Released Printed: Mar 17, 2011