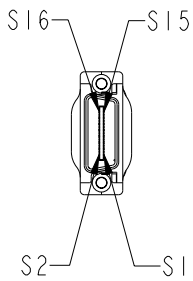


PRODUCT NUMBER  
SEE NOTE 3  
10018960-XXXXXALF

"L2"  
OVERALL LENGTH  
(NOTES 2 AND 3)



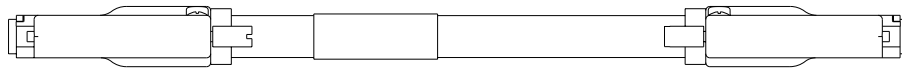
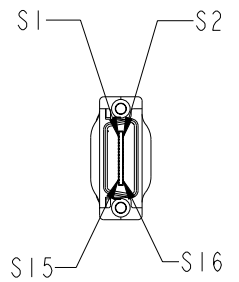
P1  
4X EYEMAX  
NOTE 11

CABLE  
NOTE 3

LABEL  
NOTE 5

NOTE 4

P2  
4X EYEMAX  
NOTE 11



rev	cca no	dr	date
F	V06-1193	DAI	2007-01-04
-	-	-	-
-	-	-	-
-	-	-	-
-	-	-	-

www.fciconnect.com		surface	tolerance std	projection	MM
		TOLERANCES UNLESS OTHERWISE SPECIFIED			
Dr	D. INGRAM	2007-01-04	ANGULAR	size	A4
Eng	C. GROSS	2007-01-04	LINEAR	ECN	V06-1193
Chr	C. GROSS	2007-01-04	0° ±	Product family	C&A
Appr	C. GROSS	2007-01-04		Spec ref	
		4X EYEMAX W/ THUMBSCREWS		eng no	10018960
		CABLE ASSEMBLY (INFINIBAND™)		Rev.	F
catalog no		CUSTOMER		sheet 1 of 3	

REV F - 2006-04-17

PDM: Rev:F STATUS:Released<sup>4</sup> Printed: Dec 23, 2010

PRODUCT NUMBER  
SEE NOTE 3  
10018960-XXXXXALF

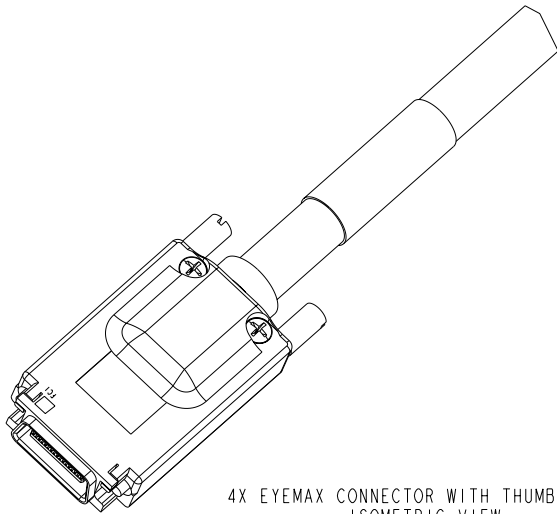
**PIN OUT/WIRING LIST  
SEE NOTE 6**

A

B

C

D



4X EYEMAX CONNECTOR WITH THUMBSCREWS  
ISOMETRIC VIEW

P1		P2	
PIN NUMBER	WIRE ID	PIN NUMBER	WIRE ID
GI-G9	GROUND	GI-G9	GROUND
S1	IBtxlp(0)	S16	IBtxOp(0)
S2	IBtxln(0)	S15	IBtxOn(0)
S3	IBtxlp(1)	S14	IBtxOp(1)
S4	IBtxln(1)	S13	IBtxOn(1)
S5	IBtxlp(2)	S12	IBtxOp(2)
S6	IBtxln(2)	S11	IBtxOn(2)
S7	IBtxlp(3)	S10	IBtxOp(3)
S8	IBtxln(3)	S9	IBtxOn(3)
S9	IBtxOp(3)	S8	IBtxln(3)
S10	IBtxOp(2)	S7	IBtxlp(3)
S11	IBtxOn(2)	S6	IBtxln(2)
S12	IBtxOp(2)	S5	IBtxlp(2)
S13	IBtxOn(1)	S4	IBtxln(1)
S14	IBtxOp(1)	S3	IBtxlp(1)
S15	IBtxOn(0)	S2	IBtxln(0)
S16	IBtxOp(0)	S1	IBtxlp(0)

A

B

C

D

	<b>title</b> 4X EYEMAX W/THUMBSCREWS	<b>drwg no</b> 10018960	<b>Rev.</b> F
	CABLE ASSEMBLY (INFINIBAND™)		
<b>catalog no</b>	-	<b>CUSTOMER</b>	<b>sheet 2 of 3</b>

REV F - 2010-04-17

<sup>3</sup>PDM: Rev:F STATUS:Released <sup>4</sup>Printed: Dec 23, 2010

PRODUCT NUMBER  
SEE NOTE 3  
10018960-XXXXXALF

NOTES:

- 1. MATING RECEPTACLE DRAWING 10009629.
- 2. UNLESS OTHERWISE SPECIFIED ASSEMBLED LENGTH TOLERANCE =  
  - < 1 METER = +/- 15.0mm
  - > 1 METER TO 10 METER = +/- 2% OF L2
  - > 10 METER = +0.00%/-4% OF L2

- 3. PART NUMBER DESCRIPTION: PENDING  
10018960- X XX XX A X LF

SIGNAL WIRE  
GAGE (AWG)  
M: 24 AWG  
N: 26 AWG  
P: 28 AWG  
R: 30 AWG

LEAD FREE (SEE NOTE 10)

E: EQUALIZED  
U: UNEQUALIZED

HARDWARE TYPE  
A: THUMBSCREW

OVERALL LENGTH OF CABLE  
XXXX = XX METERS, XX CENTIMETERS  
EXAMPLES OF XXXX:  
0046 = 0 METERS 46 CENTIMETERS  
0850 = 8 METERS 50 CENTIMETERS

- 10. LEAD FREE PRODUCTS MEET EUROPEAN UNION DIRECTIVES AND OTHER COUNTRY REGULATIONS AS DESCRIBED IN GS-22-008.

LEAD FREE SOLDER TAIL PLATING 2um (80u") MIN. MATTE TIN OVER 1.27um (50u") MIN. NICKEL UNDERPLATE.

PACKAGING OF LEAD FREE PRODUCTS MEETS LABELING AND PACKAGING SPECIFICATION GS-14-920.

- 11. CONNECTOR ASSEMBLIES SHOWN ARE FOR REFERENCE ONLY AND MAY NOT SHOW ALL PART DETAIL. REFERENCE CONNECTOR ASSEMBLY DRAWINGS FOR COMPLETE DETAILS.

- 12. GLOBAL STANDARDS FOR CABLE PACKAGING: GS-14-1093.

- 13. MATERIALS:  
 CABLE: FULLY SHIELDED, 8 DIFFERENTIAL PAIRS  
 COVERS: ZINC ALLOY WITH NICKEL OVERPLATE  
 CABLE COLLARS: PLASTIC  
 PLUG ASSEMBLIES: THERMOPLASTIC AND COPPER ALLOY  
 THUMBSCREWS: STAINLESS STEEL  
 PCB BOARD: FR4 FIBERGLASS

EXAMPLE: 10018960- M0850AULF = 24 AWG, 8.50 METER, THUMBSCREWS, UNEQUALIZED, LEAD FREE

- 4. UNLESS OTHERWISE SPECIFIED LABEL POSITION SHALL BE APPROXIMATELY 50mm FROM REAR OF CONNECTOR.

- 5. LABEL DETAILS:  
 -MANUFACTURER CODE OR NAME  
 -CUSTOMER P/N OR FCI P/N  
 -REVISION  
 -DATE CODE WW/YY FORMAT  
 -COUNTRY ORIGIN

FONT SHALL BE CLEARLY VISIBLE AND BLACK IN COLOR.

- 6. ALL CABLE ASSEMBLIES SHALL BE TESTED 100% FOR CONTINUITY AS DEFINED IN WIRING LIST.
- 7. UNLESS OTHERWISE SPECIFIED ALL CABLE ASSEMBLIES SHALL BE 100% HI-POT TESTED BY APPLYING 300V FOR MINIMUM OF 10ms, UNLESS ACTIVE COMPONENTS ARE USED IN THIS ASSEMBLY.
- 8. OTHER TESTING PERFORMED AS REQUIRED BY PRODUCT SPECIFICATION:GS-12-216.
- 9. CABLE ASSEMBLIES SHALL WITHSTAND AN AXIAL LOAD OF 17lbs/75N AT A RATE OF 25.4mm PER MINUTE, DURATION OF 1 (ONE) HOUR, WITHOUT DAMAGE TO CABLE OR CONNECTOR. CABLE PRODUCT SPECIFICATION: GS-12-216  
CONNECTOR PRODUCT SPECIFICATION: GS-12-209

	title	4X EYEMAX W/THUMBSCREWS	dwg no	10018960	Rev.	F
	catalog no	CABLE ASSEMBLY (INFINIBAND™)	-	CUSTOMER	sheet	3 of 3

REV F - 2008-04-17