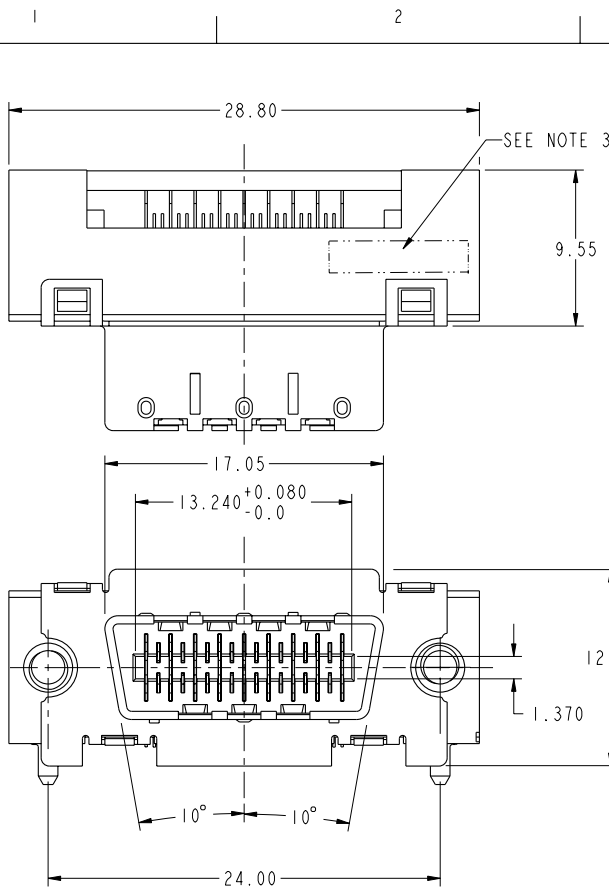
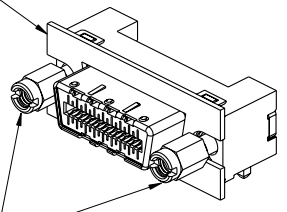




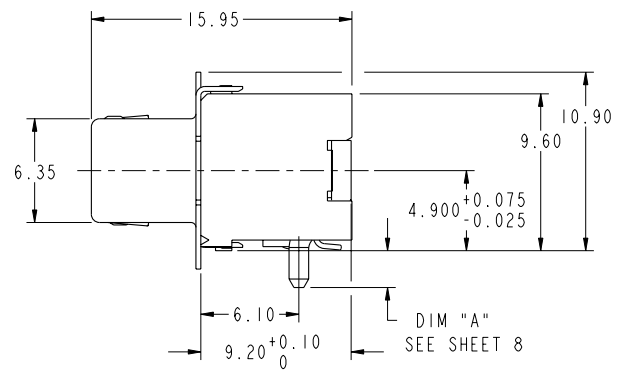
Copyright FCI.



AVAILABLE WITH OR WITHOUT EMI GASKET.  
 FOAM GASKET P/N 10019396-001 CAN BE PURCHASED SEPARATELY.  
 METAL GASKET P/N 10043517 MUST BE PURCHASED ALREADY ASSEMBLED.



P/N 10009634-001, 2X THREADED STANDOFFS SOLD SEPARATELY



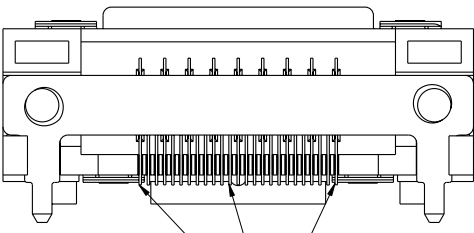
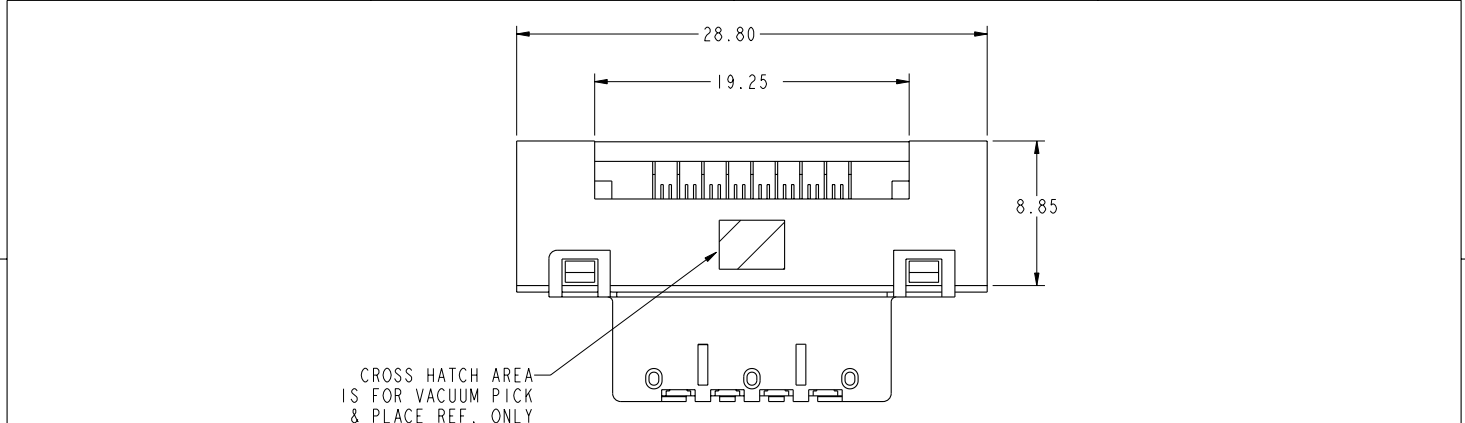
| rev | ecn no   | dr  | date       |
|-----|----------|-----|------------|
| D   | V04-0460 | DAI | 2004/06/08 |
| E   | V04-0830 | TAB | 2004/08/18 |
| F   | V04-1005 | DAI | 2004/10/06 |
| G   | V05-0063 | TAB | 2005/02/14 |
| H   | 105-0141 | HVN | 2005/08/12 |
| J   | 06-0123  | HVN | 2006/07/26 |
| K   | 08-0048  | RPK | 2008/03/28 |

|                            |  |  |                          |                  |           |
|----------------------------|--|--|--------------------------|------------------|-----------|
| www.fciconnect.com         |  | surface 3.2 / ASME Y14.5                         | tolerance std ASME Y14.5 | projection       | MM        |
| Dr G. PETERS 2003/08/13    |  | ANGULAR  | 0.X ±.30                 | size A4          | Scale 3:1 |
| Eng D. BRANN 2003/08/13    |  | LINEAR   | 0.XX ±.10                | ECN 108-0048     |           |
| Chr RAMESH P K 2008/03/27  |  | 0° ±2°   | 0.XXX ±.050              | Spec ref         |           |
| Appr RAMESH P K 2008/03/27 |  | Product family EyeMax (Im)                       |                          |                  |           |
| FCI                        |  | 4X R/A THUMBSCREW RECPT ASSEMBLY, w/ 7 KEY SLOTS |                          | diag no 10009629 | Rev. K    |
| catalog no                 |  | CUSTOMER   |                          | sheet 1 of 9     |           |

REV F - 2004-04-17

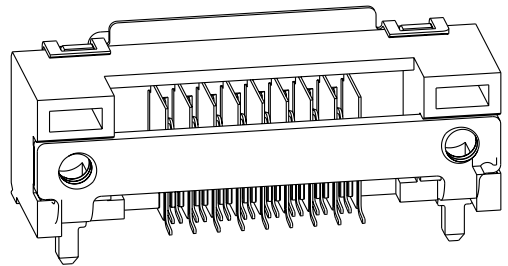


Copyright FCI.



$\ominus$  0.13 D

COPLANARITY MEASUREMENT TO BE TAKEN AT THE BOTTOM MOST POINT ON CONTACT TAILS  
COPLANARITY ZONE IS BELOW DATUM D.

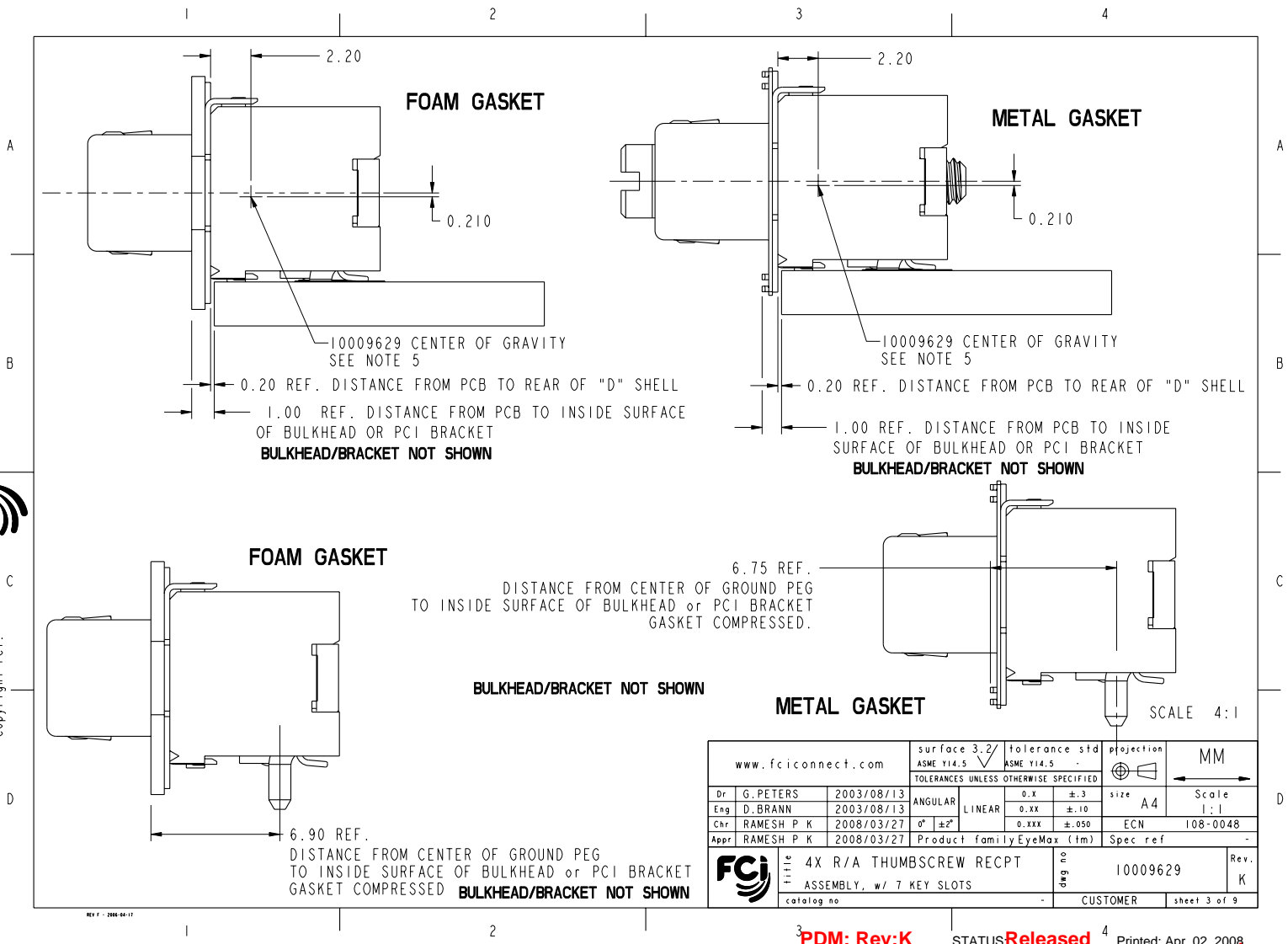


|                                       |  |                           |                             |                            |
|---------------------------------------|--|---------------------------|-----------------------------|----------------------------|
| www.fciconnect.com                    |  | surface 3.2<br>ASME Y14.5 | tolerance std<br>ASME Y14.5 | projection<br>MM           |
| TOLERANCES UNLESS OTHERWISE SPECIFIED |  | ANGULAR                   | LINEAR                      | size A4                    |
| Dr G. PETERS                          | 2003/08/13   | 0.X                       | ±.30                        | Scale 3:1                  |
| Eng D. BRANN                          | 2003/08/13   | 0.XX                      | ±.10                        | ECN 108-0048               |
| Chr RAMESH P K                        | 2008/03/27   | 0°                        | ±2°                         | Product family EyeMax (Im) |
| Appr RAMESH P K                       | 2008/03/27   | Spec ref                  |                             | -                          |
|                                       | Title<br>4X R/A THUMBSCREW RECPT<br>ASSEMBLY, w/ 7 KEY SLOTS |                           | dag no<br>10009629          | Rev.<br>K                  |
| catalog no                            |  | CUSTOMER                  |                             | sheet 2 of 9               |

REV F - 2006-04-17



Copyright FCI.



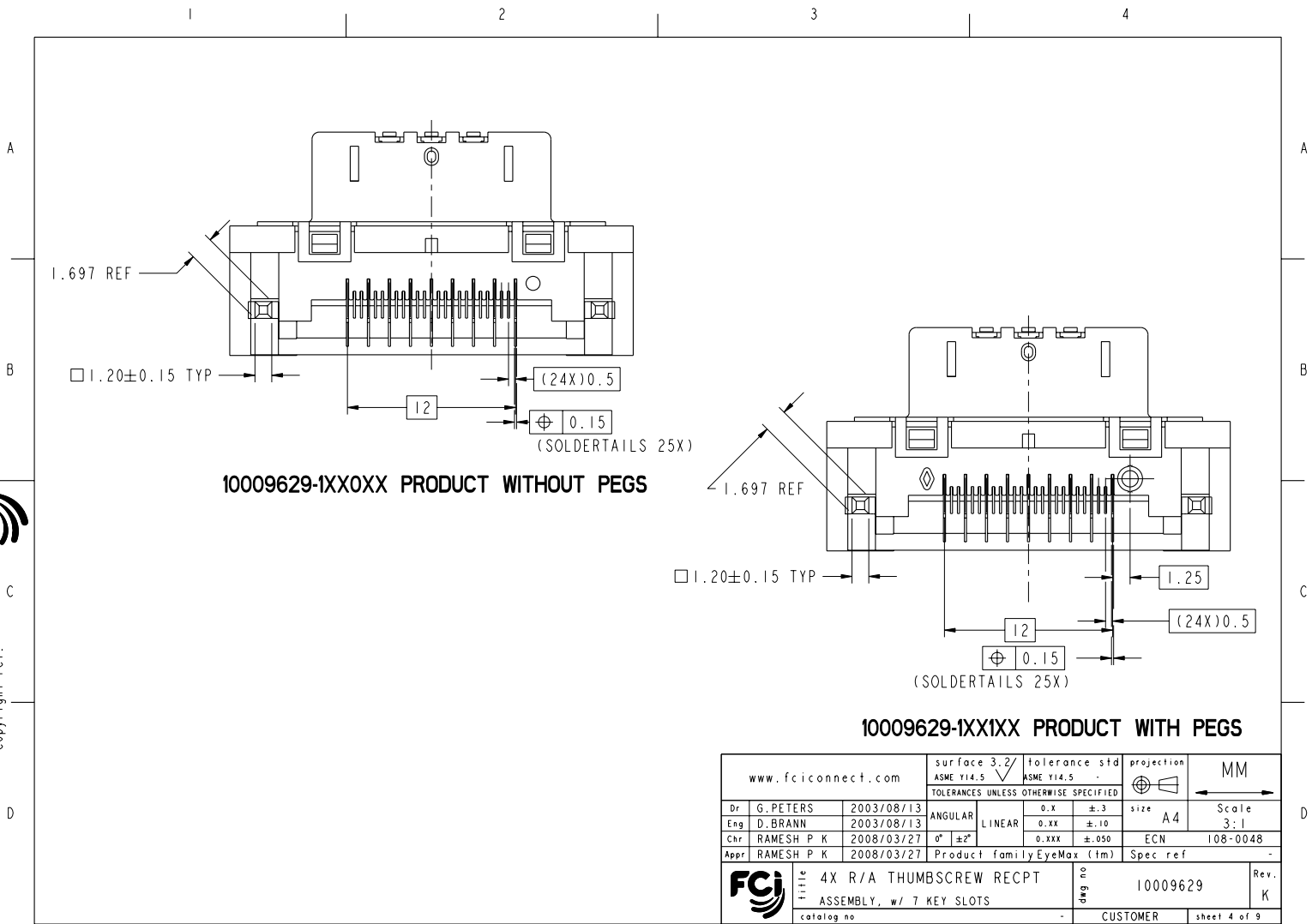
REV F - 2006-03-17

|                    |            |                                       |                             |   |              |
|--------------------|------------|---------------------------------------|-----------------------------|---|--------------|
| www.fciconnect.com |            | surface 3.2/<br>ASME Y14.5            | tolerance std<br>ASME Y14.5 | projection                                      | MM           |
|                    |            | TOLERANCES UNLESS OTHERWISE SPECIFIED |                             |   |              |
| Dr                 | G. PETERS  | 2003/08/13                            | ANGULAR                     | 0.X ±.3   | size A4      |
| Eng                | D. BRANN   | 2003/08/13                            | LINEAR                      | 0.XX ±.10                                       | Scale 1:1    |
| Chr                | RAMESH P K | 2008/03/27                            | 0° ±2°                      | 0.XXX ±.050                                     | ECN 108-0048 |
| Appr               | RAMESH P K | 2008/03/27                            | Product family              | EyeMax (Im)                                     | Spec ref -   |
|                    |            | title                                 |                             | 4X R/A THUMBSREW RECPT ASSEMBLY, w/ 7 KEY SLOTS | Rev. K       |
| catalog no         |            | -                                     |                             | 10009629  | sheet 3 of 9 |

3 PDM: Rev:K STATUS Released 4 Printed: Apr 02, 2008



Copyright FCI.



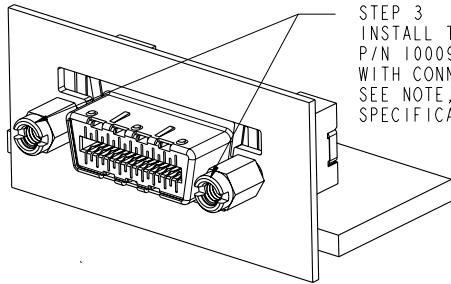
REV 1 - 2006-03-17

|                                       |  |   |                             |                  |         |     |     |        |      |      |        |       |       |
|---------------------------------------|--|---|-----------------------------|------------------|---------|-----|-----|--------|------|------|--------|-------|-------|
| www.fciconnect.com                    |  | surface 3.2<br>ASME Y14.5   | tolerance std<br>ASME Y14.5 | projection<br>MM |         |     |     |        |      |      |        |       |       |
| TOLERANCES UNLESS OTHERWISE SPECIFIED |  | <table border="1"> <tr> <td>ANGULAR</td> <td>0.X</td> <td>±.3</td> </tr> <tr> <td>LINEAR</td> <td>0.XX</td> <td>±.10</td> </tr> <tr> <td>0° ±2°</td> <td>0.XXX</td> <td>±.050</td> </tr> </table> |                             |                  | ANGULAR | 0.X | ±.3 | LINEAR | 0.XX | ±.10 | 0° ±2° | 0.XXX | ±.050 |
| ANGULAR                               | 0.X  | ±.3   |                             |                  |         |     |     |        |      |      |        |       |       |
| LINEAR                                | 0.XX   | ±.10  |                             |                  |         |     |     |        |      |      |        |       |       |
| 0° ±2°                                | 0.XXX  | ±.050   |                             |                  |         |     |     |        |      |      |        |       |       |
| Dr G. PETERS                          | 2003/08/13   | size A4   | Scale 3:1                   |                  |         |     |     |        |      |      |        |       |       |
| Eng D. BRANN                          | 2003/08/13   | ECN 108-0048  |                             |                  |         |     |     |        |      |      |        |       |       |
| Chr RAMESH P K                        | 2008/03/27   | Product family EyeMax (Im)  | Spec ref                    |                  |         |     |     |        |      |      |        |       |       |
| Appr RAMESH P K                       | 2008/03/27   |   |                             |                  |         |     |     |        |      |      |        |       |       |
|                                       | title<br>4X R/A THUMBSCREW RECPT<br>ASSEMBLY, w/ 7 KEY SLOTS | cat no  | 10009629                    | Rev.<br>K        |         |     |     |        |      |      |        |       |       |
|                                       |  |   | CUSTOMER                    | sheet 4 of 9     |         |     |     |        |      |      |        |       |       |

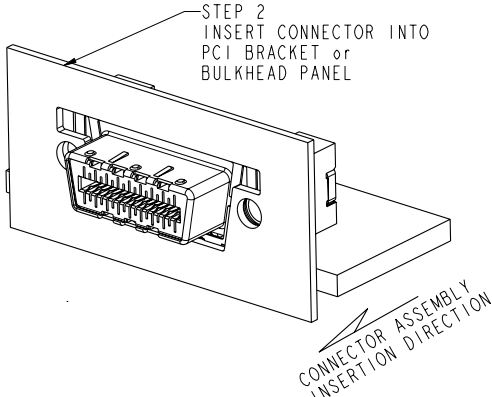
3 **PDM: Rev:K** STATUS **Released** 4 Printed: Apr 02, 2008



Copyright FCI.

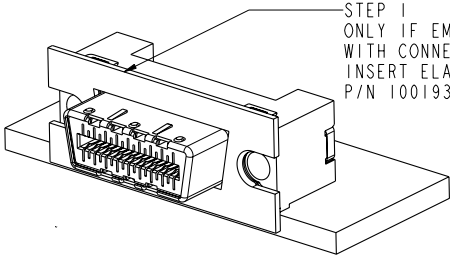


STEP 3  
INSTALL THREADED STANDOFFS  
P/N 10009634-001, NOT SUPPLIED  
WITH CONNECTOR ASSEMBLY  
SEE NOTE, SHEET 8, FOR TORQUE  
SPECIFICATION.



STEP 2  
INSERT CONNECTOR INTO  
PCI BRACKET or  
BULKHEAD PANEL

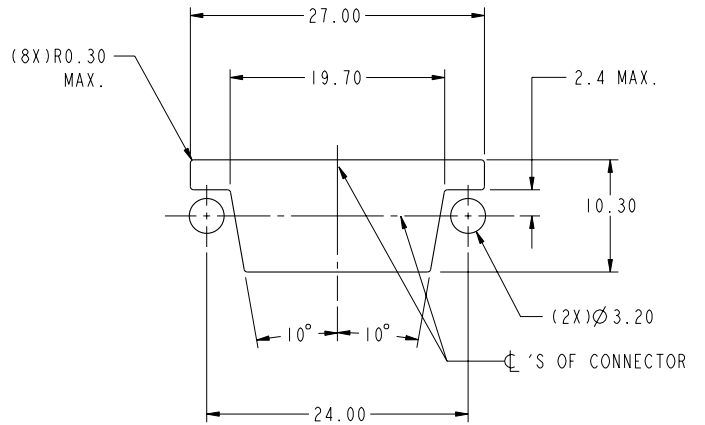
CONNECTOR ASSEMBLY  
INSERTION DIRECTION



STEP 1  
ONLY IF EMI GASKET NOT SUPPLIED  
WITH CONNECTOR ASSEMBLY,  
INSERT ELASTOMERIC EMI GASKET,  
P/N 10019396-001.

CONNECTOR APPLICATION TO PCI BRACKET/PANEL

REV F - 2006-03-17



RECOMMENDED PANEL CUTOUT

|                                       |            |            |                            |                             |                            |              |  |
|---------------------------------------|------------|------------|----------------------------|-----------------------------|----------------------------|--------------|--|
| www.fciconnect.com                    |            |            | surface 3.2<br>ASME Y14.5  | tolerance std<br>ASME Y14.5 | projection<br>MM           | Scale<br>1:1 |  |
| TOLERANCES UNLESS OTHERWISE SPECIFIED |            |            | ANGULAR                    | LINEAR                      | size A4                    | ECN 108-0048 |  |
| Dr                                    | G. PETERS  | 2003/08/13 | 0.X                        | ±.30                        | Product family EyeMax (Im) |              |  |
| Eng                                   | D. BRANN   | 2003/08/13 | 0.XX                       | ±.10                        | Spec ref -                 |              |  |
| Chr                                   | RAMESH P K | 2008/03/27 | 0° ±2°                     | 0.XXX                       | Rev. K                     |              |  |
| Appr                                  | RAMESH P K | 2008/03/27 | Product family EyeMax (Im) |                             | sheet 5 of 9               |              |  |



4X R/A THUMBSCREW RECPT  
ASSEMBLY, w/ 7 KEY SLOTS

10009629

Rev. K

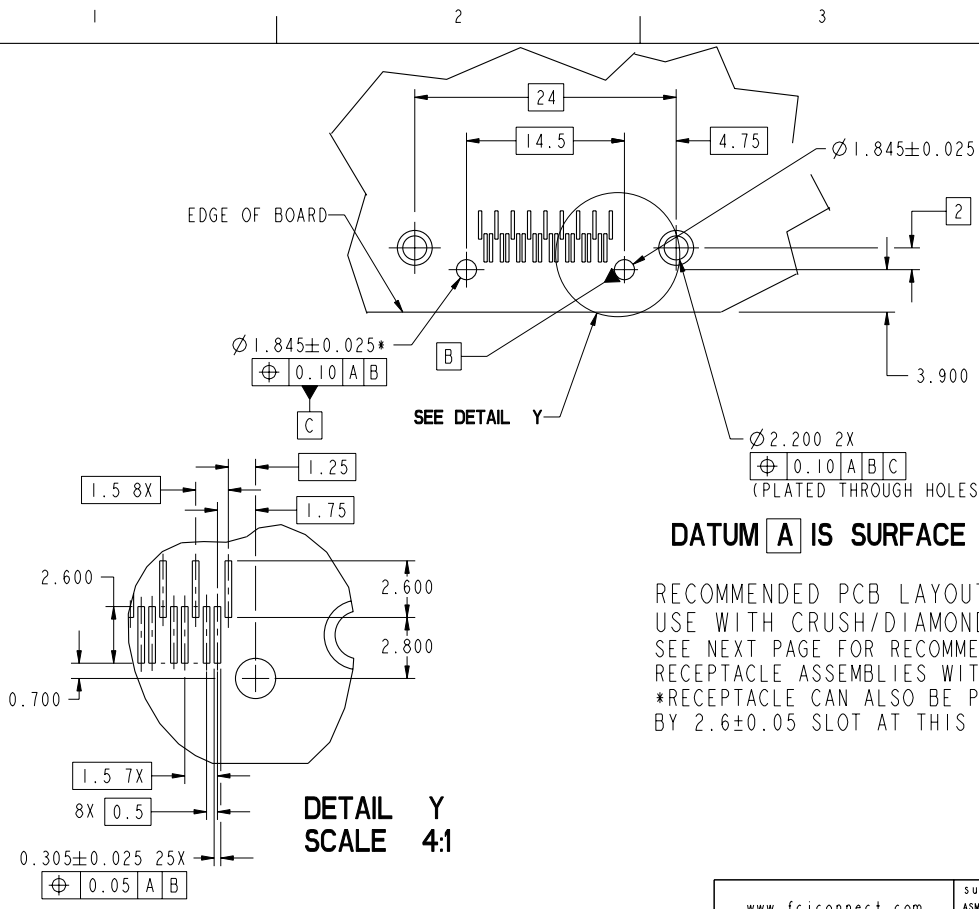
PDM: Rev:K

STATUS Released

Printed: Apr 02, 2008



Copyright FCI.



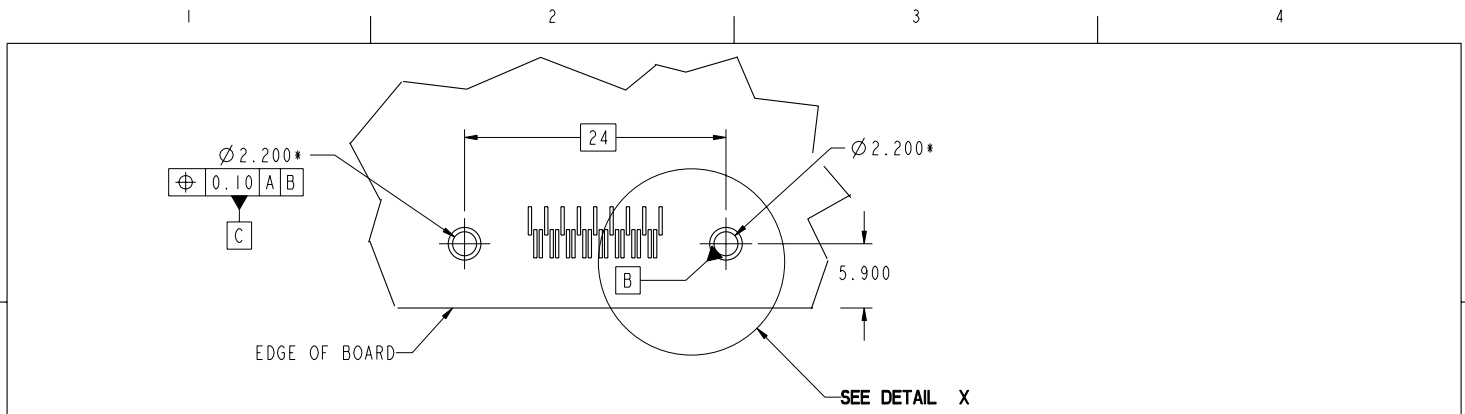
RECOMMENDED PCB LAYOUT, COMPONENT SIDE FOR USE WITH CRUSH/DIAMOND PEGS (10009629-1XX1XX) SEE NEXT PAGE FOR RECOMMENDED PCB LAYOUT FOR RECEPTACLE ASSEMBLIES WITHOUT CRUSH/DIAMOND PEGS. \*RECEPTACLE CAN ALSO BE PLACED WITH 1.82±0.05/-0.0 BY 2.6±0.05 SLOT AT THIS LOCATION ON THE PCB

|                            |  |  |                                      |                  |
|----------------------------|--|--|--------------------------------------|------------------|
| www.fciconnect.com         |  | surface 3.2/<br>ASME Y14.5                             | tolerance std<br>ASME Y14.5          | projection<br>MM |
| Dr G. PETERS 2003/08/13    |  | TOLERANCES UNLESS OTHERWISE SPECIFIED                  |                                      | size A4          |
| Eng D. BRANN 2003/08/13    |  | ANGULAR  | LINEAR                               | Scale 1:1        |
| Chr RAMESH P K 2008/03/27  |  | 0° ±2°   | 0.X ±.30<br>0.XX ±.10<br>0.XXX ±.050 | ECN 108-0048     |
| Appr RAMESH P K 2008/03/27 |  | Product family EyeMax (Im)                             |                                      | Spec ref -       |
| FCI                        |  | Title 4X R/A THUMBSCREW RECPT ASSEMBLY, w/ 7 KEY SLOTS |                                      | Rev. K           |
| catalog no                 |  | -  |                                      | 10009629         |
|                            |  | CUSTOMER   |                                      | sheet 6 of 9     |

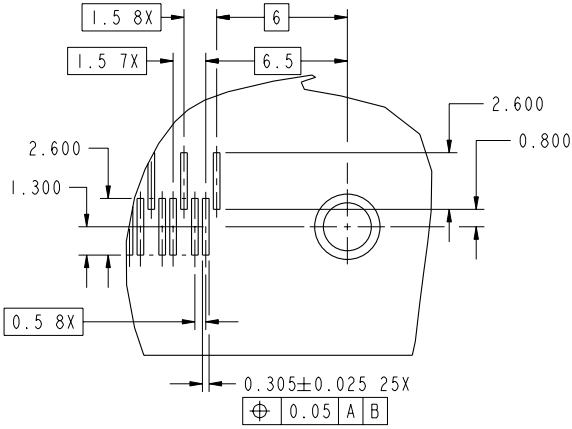
REV 1 - 2006-04-17



Copyright FCI.



DATUM **A** IS SURFACE OF PCB



DETAIL X  
SCALE 4:1

RECOMMENDED PCB LAYOUT, COMPONENT SIDE FOR USE WITHOUT CRUSH/DIAMOND PEGS (10009629-1XX0XX)  
SEE PREVIOUS PAGE FOR RECOMMENDED PCB LAYOUT FOR RECEPTACLE ASSEMBLIES WITH CRUSH/DIAMOND PEGS.  
\*PLATED THROUGH HOLES

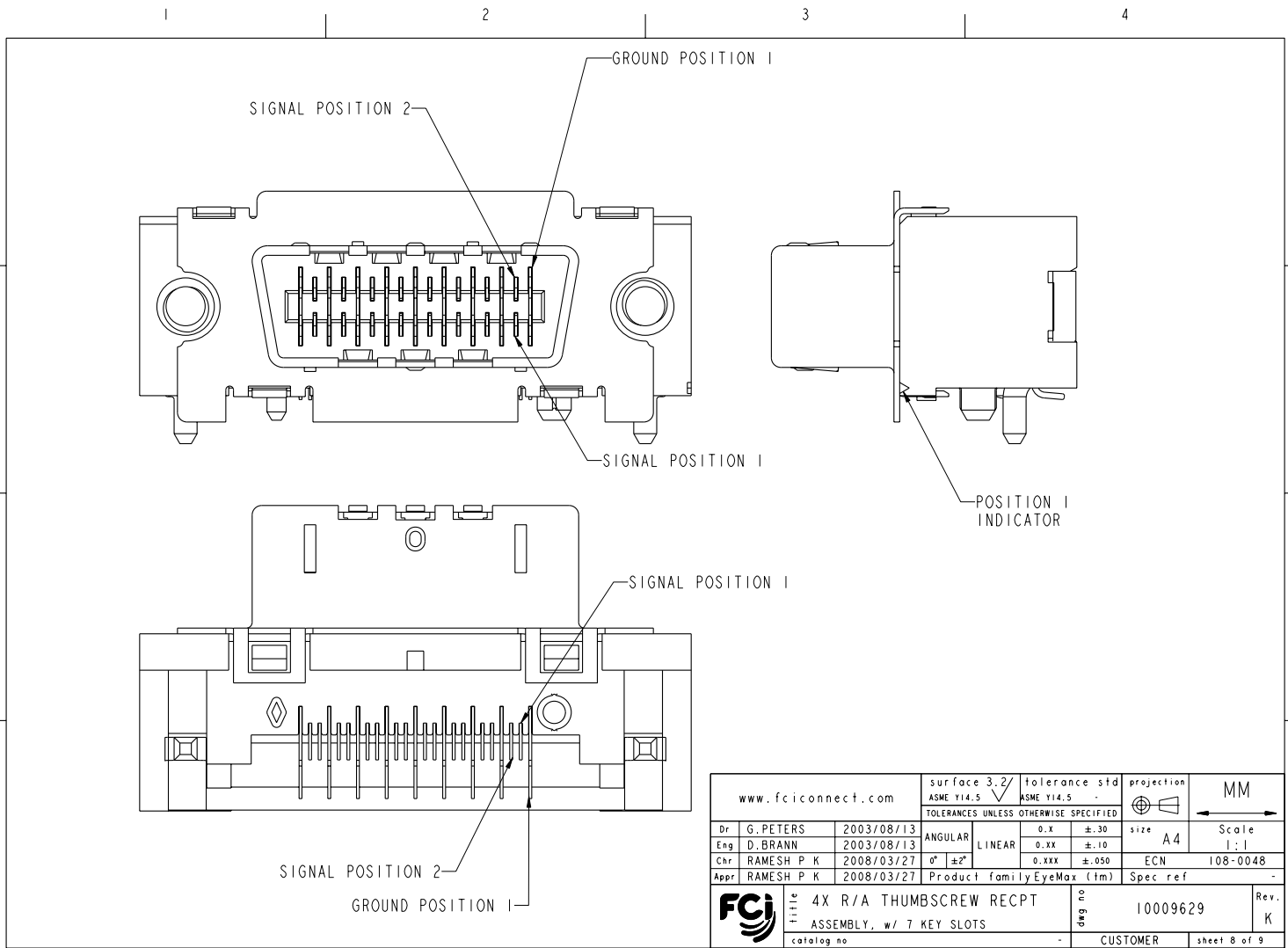
|                                       |            |  |                             |                  |
|---------------------------------------|------------|--|-----------------------------|------------------|
| www.fciconnect.com                    |            | surface 3.2<br>ASME Y14.5                              | tolerance std<br>ASME Y14.5 | projection<br>MM |
| TOLERANCES UNLESS OTHERWISE SPECIFIED |            | ANGULAR  | LINEAR                      | size A4          |
| Dr G. PETERS                          | 2003/08/13 | 0°   | 0.X ±.30                    | Scale 1:1        |
| Eng D. BRANN                          | 2003/08/13 | 0° ±2°   | 0.XX ±.10                   | ECN 108-0048     |
| Chr RAMESH P K                        | 2008/03/27 |  | 0.XXX ±.050                 | Spec ref -       |
| Appr RAMESH P K                       | 2008/03/27 | Product family EyeMax (Im)                             |                             |                  |
| FCI                                   |            | Title 4X R/A THUMBSCREW RECPT ASSEMBLY, w/ 7 KEY SLOTS |                             | Rev. K           |
| catalog no                            |            | diag no  | 10009629                    |                  |
|                                       |            | CUSTOMER   |                             | sheet 7 of 9     |

REV 1 - 2006-04-17



Copyright FCI.

REV 1 - 2006-03-17



|                                       |            |  |                             |                  |
|---------------------------------------|------------|--|-----------------------------|------------------|
| www.fciconnect.com                    |            | surface 3.2<br>ASME Y14.5                        | tolerance std<br>ASME Y14.5 | projection<br>MM |
| TOLERANCES UNLESS OTHERWISE SPECIFIED |            | ANGULAR  | LINEAR                      | size A4          |
| Dr                                    | G. PETERS  | 2003/08/13                                       | 0.X ±.30                    | Scale 1:1        |
| Eng                                   | D. BRANN   | 2003/08/13                                       | 0.XX ±.10                   | ECN 108-0048     |
| Chr                                   | RAMESH P K | 2008/03/27                                       | 0.XXX ±.050                 | Spec ref -       |
| Appr                                  | RAMESH P K | 2008/03/27                                       | Product family EyeMax (Im)  |                  |
| FCI                                   |            | 4X R/A THUMBSCREW RECPT ASSEMBLY, w/ 7 KEY SLOTS |                             | Rev. K           |
| catalog no                            |            | -  |                             | 10009629         |
|                                       |            | CUSTOMER   |                             | sheet 8 of 9     |

3 PDM: Rev:K STATUS Released 4 Printed: Apr 02, 2008



PRODUCT NUMBER  
10009629-1XXXXX

10009629-1XXXXXX

- SOLDERTAIL PLATING  
BLANK-TIN-LEAD  
LF-LEAD FREE (SEE NOTE 2)
- KEYING OPTIONS  
0-NONE
- PACKAGING  
1-TAPE & REEL  
2-TRAY  
3-TAPE & REEL WITH THREADED STAND-OFFS INCLUDED  
(PACKAGED SEPERATELY). 2 PER CONNECTOR.  
4-TRAY WITH THREADED STAND-OFFS INCLUDED  
(PACKAGED SEPERATELY). 2 PER CONNECTOR.
- PEGS  
0-NONE  
1-CRUSH/DIAMOND PEGS
- PCB THICKNESS  
1-1.6mm  
2-2.4mm  
3-4.0mm
- EMI GASKET  
0-WITH FOAM GASKET  
1-WITHOUT GASKET  
2-WITH METAL GASKET (NOT TOOLED)
- PLATING  
GOLD OVER NICKEL IN CONTACT AREA

CONNECTOR NOTES:

- ① HOUSING MATERIAL: UL94 V-0 LCP RESIN.  
SIGNAL PIN MATERIAL: COPPER ALLOY.  
GROUND CONTACT MATERIAL: COPPER ALLOY.
- ② PLATING: LEAD FREE SOLDER TAILS 2 $\mu$ m (80 $\mu$ in) MIN MATTE TIN  
OVER 1.27 $\mu$ m (50 $\mu$ in) MIN NICKEL UNDERPLATE.
- ③ P/N AND DATE CODE TO APPEAR  
ON THIS SURFACE.
4. PRODUCT SPECIFICATION GS-12-209.  
APPLICATION SPECIFICATION GS-20-025.
5. CONNECTOR WEIGHT = 5.465 grams
6. PACKAGING SPECIFICATION GS-14-794. PACKAGING OF LEAD FREE  
PRODUCTS MEETS LABELING AND PACKAGING SPECIFICATION GS-14-920.
7. MAXIMUM PANEL THICKNESS 1.70mm
- ⑧ MAXIMUM TORQUE 0.45 N-m (4.0 lbf-in)

PCB NOTES:

9. ALL DIMENSIONS ARE BASIC UNLESS OTHERWISE  
SPECIFIED.
10. ALL HOLE DIAMETERS ARE FINISHED HOLE SIZE
11. MATES WITH EYEMAX<sup>®</sup> PLUG 58443 (WITHOUT PCB), 58638  
(WITH UNEQUALIZED PCB) OR 10026692 (WITH EQUALIZED PCB).
12. LEAD FREE PRODUCTS MEET EUROPEAN UNION DIRECTIVES AND  
OTHER COUNTRY REGULATIONS AS DESCRIBED IN GS-22-008.
13. THE HOUSING WILL WITHSTAND EXPOSURE TO 260°C PEAK TEMPERATURE  
FOR 15 SECONDS IN A CONVECTION, INFRARED OR VAPOR PHASE REFLOW  
OVEN.

| PRODUCT NUMBER  | BOARD THICKNESS | DIM A |
|-----------------|-----------------|-------|
| 10009629-1X1XXX | 1.6mm           | 2.3mm |
| 10009629-1X2XXX | 2.4mm           | 3.1mm |
| 10009629-1X3XXX | 4.0mm           | 4.7mm |

|                    |            |  |                             |                  |                   |
|--------------------|------------|--|-----------------------------|------------------|-------------------|
| www.fciconnect.com |            | surface 3.2/<br>ASME Y14.5                               | tolerance std<br>ASME Y14.5 | projection       | MM                |
|                    |            | TOLERANCES UNLESS OTHERWISE SPECIFIED                    |                             |                  |                   |
| Dr                 | G. PETERS  | 2003/08/13   | ANGULAR                     | 0.X ±.30         | size A4 Scale 1:1 |
| Eng                | D. BRANN   | 2003/08/13   | LINEAR                      | 0.XX ±.10        | ECN 108-0048      |
| Chr                | RAMESH P K | 2008/03/27   | 0° ±2°                      | 0.XXX ±.050      | Spec ref -        |
| Appr               | RAMESH P K | 2008/03/27   | Product family EyeMax (Im)  |                  |                   |
|                    |            | title 4X R/A THUMBSCREW RCPT<br>ASSEMBLY, w/ 7 KEY SLOTS |                             | diag no 10009629 | Rev. K            |
| catalog no         |            | CUSTOMER   |                             | sheet 9 of 9     |                   |



Copyright FCI.

REV F - 2006-04-17

3 PDM: Rev:K

4 STATUS Released

Printed: Apr 02, 2008