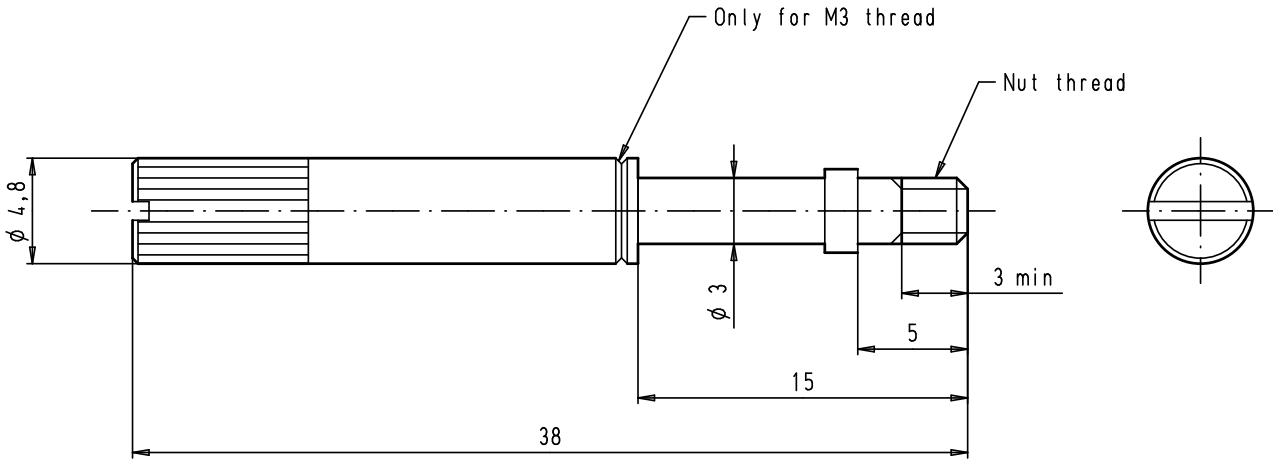




Alle Rechte vorbehalten/ All rights reserved



09 67 000 9930	M3
09 67 000 9925	4-40 UNC
Part number	Nut thread

				Det.	Name	 All Dim. in mm Orig. Size DIN A 4	D-Sub, knurled screw tin plated steel for metallized hood	Maßstab/ Scale 4:1
			Detail.	28/03/02	CV			
			Insp.					
36162	21/09/10	SC	Stand.					
34614	25/09/07	PK						
29760	28/03/02	CV						
Mod.	Det.	Name	HARTING EURL F-95972 Paris				TB 09 67 000 99XX	Blatt/ Page 6 / 7