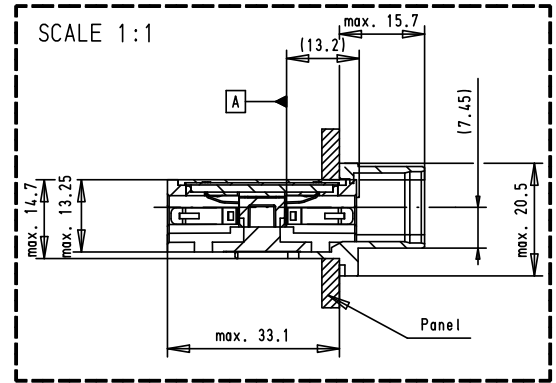
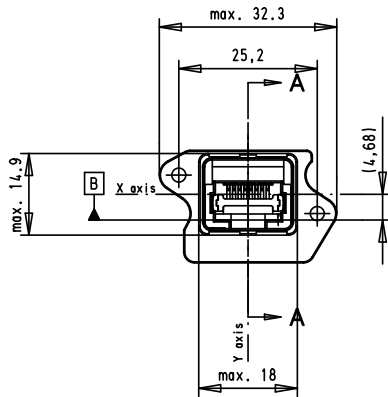
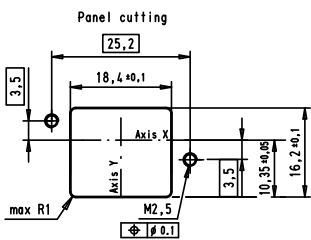
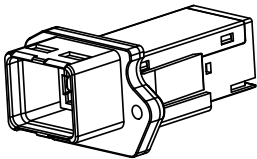
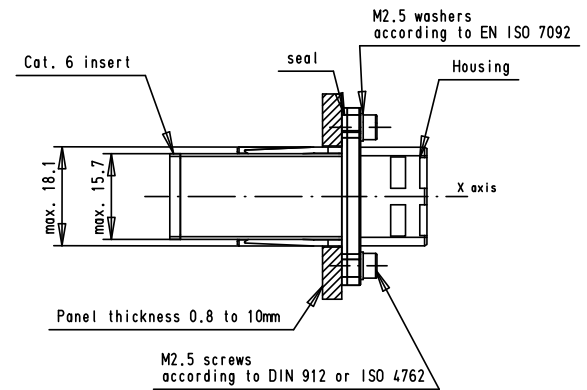




Alle Rechte vorbehalten/ All rights reserved



Connector pitches on panel:
 Axis X=27mm and Axis Y=21mm
 Receptacle according to
 60076-3-106 IEC - variant 4
 Mating reference A and B
 according to IEC 60603-7

Screwing by 2x M2.5 screws with torque 0.3N.m to 0.5N.m
 with M2.5 flat washer under the screw.



			Det.	Name	 All Dim. in mm Orig. Size DIN A 4	HARTING pushPull Compact panel feed through Cat.6	Maßstab/ Scale 1:1
		Detail.	25/05/10	AB			
		Insp.					
		Stand.					
36075	25/05/10	AB	HARTING EURL F-95972 Paris			TB 09 45 245 1560	Blatt/ Page 1 / 1
Mod.	Det.	Name				Sub.	