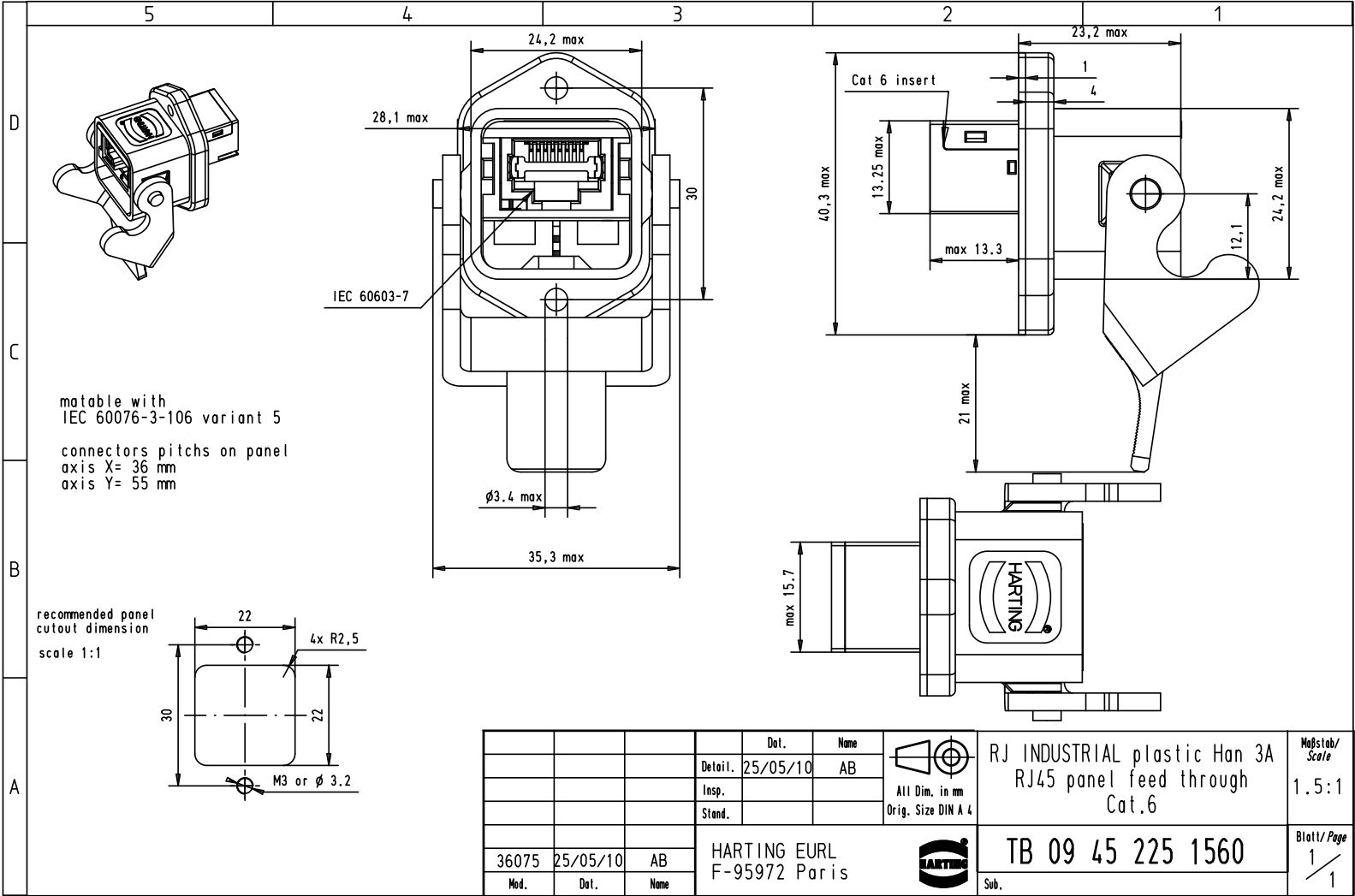




Alle Rechte vorbehalten/ All rights reserved



compatible with
IEC 60076-3-106 variant 5
connectors pitches on panel
axis X= 36 mm
axis Y= 55 mm

recommended panel
cutout dimension
scale 1:1

			Det.	Name	 All Dim. in mm Orig. Size DIN A 4	RJ INDUSTRIAL plastic Han 3A RJ45 panel feed through Cat.6	Maßstab/ Scale 1.5:1
		Detail.	25/05/10	AB			
		Insp.					
			Stand.				
36075	25/05/10	AB	HARTING EURL F-95972 Paris			TB 09 45 225 1560 Sub.	Blatt/ Page 1 / 1
Mod.	Det.	Name					