

Features

LED Driver

- 6W AC-DC Class II LED Power Supply
- 350mA or 700mA Constant Current Output
- Drives 1 - 6 High brightness LEDs
- Universal Input Voltage Range
- Fused Input, Protected Output
- 3kVAC Isolation
- IP44
- Low Cost
- 3 Year Warranty

Description

A compact universal input 6W constant current switching power module suitable for driving up to six high power LEDs (Vf = 3.6V). The output current is fixed at 350mA or 700mA. If the LED load is too high (Vout >21V for 350mA version or Vout >8.5V for 700mA version, the converter will power limit and reduce the output current to 300mA and 600mA respectively.

Selection Guide

Part Number	Nominal Input Voltage (VAC)	Input Current at full load (mA)	Output Voltage Range (VDC)	Output Current (mA)	Max # LEDs
RACD06-350	universal	160	3-21	350	6 x 1W
RACD06-700	universal	160	3-8.5	700	2 x 2W

Specifications (typical at 25°C and after warm up time unless otherwise specified)

Input Voltage Range	90-264VAC	
Rated Power	6 Watts max.	
Input Frequency Range	47-63 Hz	
Power Factor	Full Load, 115VAC/230VAC	0.5
Output Voltage Range	350mA Version	3 - 21VDC
	350mA derated to 300mA	up to 24V
	700mA Version	3 - 8.5VDC
	700mA derated to 600mA	up to 12V
Inrush Current (<2mS)	115VAC/230VAC	10A max.
Leakage Current	115VAC/240VAC - 60/50Hz	0.4mA typ.
Input Fuse (Built-in)	Standard	T2A
Input Current	Full Load, Nominal Vin	see table
Output Current Accuracy (combined Tolerance, Load Regulation and Line Regulation)	±10%	
Minimum Load	Open Circuit Protected	1 LED
Output Ripple	0.2Ap-p max.	
Hold Up Time	18ms min.	
Operating Frequency	132kHz max.	
Efficiency at Full Load	65% typ.	
AC RMS Isolation Voltage (input to output)	3.75kV / 1 minute typ., 3kV / 1 minute min.	
Temperature Coefficient	±0.02%/°C typ.	
Overload Protection	120% typ.	
Short Circuit Protection	Continuous Current Limit	
Output Overvoltage Protection	350mA Version	12V Zener Diode Clamp
	700mA Version	24V Zener Diode Clamp
Overtemperature Protection	Shutdown, Automatic restart after cooling down	
Operating Temperature Range (free air convection)	Ambient Temperature	-20°C to +50°C
	Case Temperature	80°C max.

continued on next page

LIGHTLINE

AC/DC-Converter

with 3 year Warranty



6 Watt Single Output



UL-8750 Pending
EN 61347 Certified

RACD06

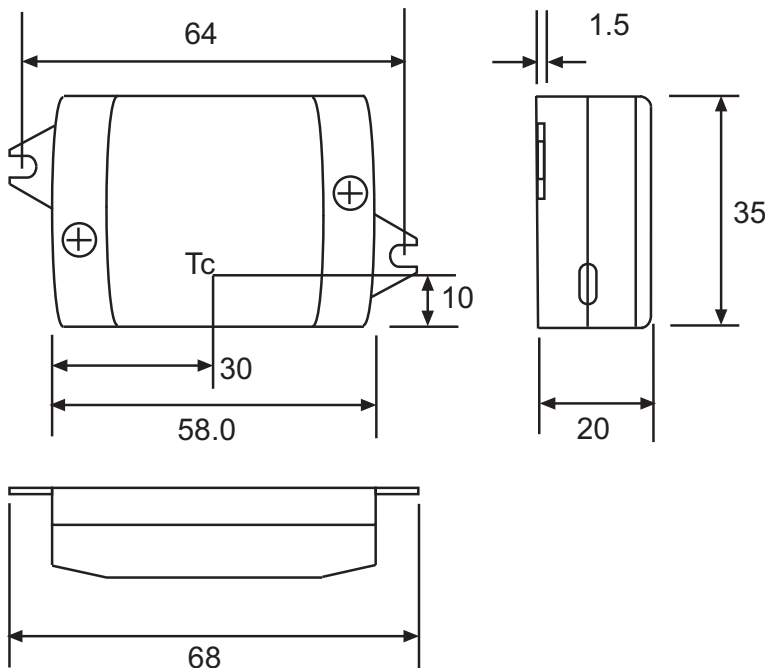
RACD06

Specifications cont. (typical at 25°C and after warm up time unless otherwise specified)

Storage Temperature Range	-40°C to +85°C	
Humidity	95% RH max.	
IP Rating	IP20, Indoor Use Only	
Weight	34g	
Packing Quantity	1pc	
PCB Material	(UL94V-0)	Plastic Resin with Fibreglass
Case Material	(UL94V-0)	Plastic
Designed to meet Standards	Electrical Lighting, EMC Emissions	EN55015:2006 + A1: 2007 + A2:2009
	Limits for Harmonics Emissions	EN 61000-3-2:2006
	EMC Compatibility: Flicker and Voltage Variations	EN 61000-3-3:2006
	Electrical Lighting: EMC Immunity	EN 61547:1995 + A1:2000
	Class II Power Supply Safety	UL1310
	FCC	FCC18A
Certifications	LED Lighting Safety	designed to meet UL8750
	SEMKO CE Certification, General Safety	EN 61347-1: 2008
	SEMKO CE Certification, Safety of AC supplied Control Gear for LED Modules	EN 61347-2-13: 2006
Design Lifetime	25°C ambient	>20 x 10 ³ hours in operation
Connections	AC Input	Screw terminal
	LED Output	Screw Terminal*

* Do not connect or disconnect the LED load while the converter is on. This may damage the LED or reduce its life.

Package Style and Pinning



3rd angle projection

Connections

CN1	Function
L	VAC in (L)
N	VAC in (N)
CN2	Function
+	LED+
-	LED-

Tolerance

XX = +/-0.5mm

XX.X = +/-0.25mm

2 Mounting screws are included

Tc = Case Temperature Measuring Point