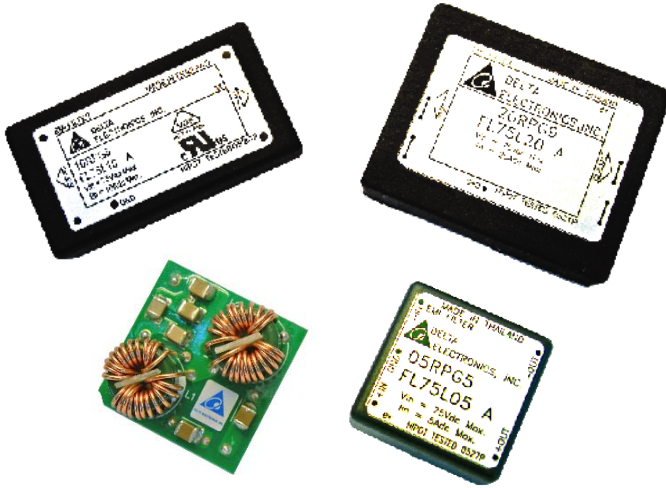


DELPHI SERIES



FEATURES

- ◆ ROHS Compliant
- ◆ Industry standard footprint and pin-out
- ◆ Optimized for use with high frequency board mounted DC/DC converters
- ◆ Printed-circuit board mountable
- ◆ ISO 9001, TL 9000, ISO 14001, QS9000, OHSAS18001 certified manufacturing facility
- ◆ UL/cUL 60950 (US & Canada) Recognized, VDE 0805 (IEC60950) Licensed

Delphi Series FL75L Series Filter Module 75Vdc Input, 5A, 7A, 10A, and 20A Current Rating

The Delphi FL75L series filter module is the latest offering from a world leader in power systems technology and manufacturing — Delta Electronics, Inc. These filter modules are designed to reduce the conducted common-mode and differential-mode noise on input or output lines of high-frequency switching power supplies and has a maximum current rating of 5A, 10A, and 20A. With creative design technology and optimization of component placement, Delphi FL75L filter modules possess outstanding electrical and thermal performance, as well as extremely high reliability under highly stressful operating conditions

APPLICATIONS

- ◆ Common-mode and differential-mode filtering of power supply dc input and output line
- ◆ Computer application
- ◆ Communications equipment

DATABRIEF
DB_FL75L_07142006



SPECIFICATIONS

GENERAL SPECIFICATIONS			OUTPUT SPECIFICATIONS		
Input voltage, continuous	Typical	0~75V	Output current	Ta=60°C, 2 m/s	10A
Input voltage, transient	Typical	100V, 100ms	Output current	Ta=60°C, 0 m/s	6.5A
Operation case temperature	Typical	-40°C ~ 100°C	Common-mode Insertion Loss	50 Ω circuit, 500 kHz (Typ)	30dB
Storage temperature	Typical	-55°C ~ 125°C	Differential-mode Insertion Loss	50 Ω circuit, 500 kHz (Typ)	25dB

PART NUMBERING SYSTEM

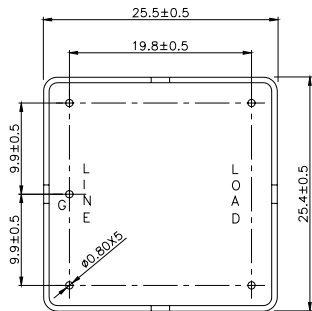
FL	75	L	10		A
Product Family	Input Voltage	Product Series	Output Current		Option Code
FL - EMI Filter	75 - 75V	L- standard series	05 - 5A 07 - 7A 10 - 10A 20 - 20A		A - Standard Functions

MODEL LIST

Module Name	Input Voltage (max.)	Current Rating (max.)	Package	Size (metric)	Size (English unit)
FL75L05 A	75V	5A	SIP	25.4 x 25.4 x 10.2 mm	1.0 in. x 1.0 in. x 0.4 in.
FL75L07 A	75A	7A	SMD/SIP	25.4 x 25.4 x 12.0 mm	1.0 in. x 1.0 in. x 0.47 in.
FL75L10 A	75V	10A	SIP	50.8 x 27.9 x 12.5 mm	2.0 in. x 1.1 in. x 0.5 in.
FL75L20 A	75V	20A	SIP	50.8 x 40.6 x 12.7 mm	2.0 in. x 1.6 in. x 0.5 in.

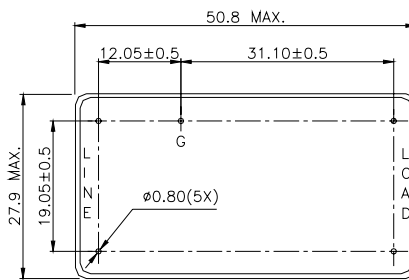
MECHANICAL DRAWING

Bottom View



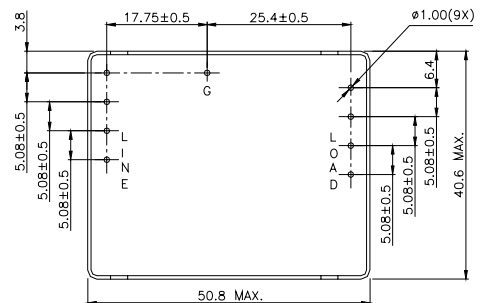
5A

Bottom View



10A

Bottom View



20A

Dimensions are in millimeter and (inches).
Tolerances : x.xx ± 0.5 mm (0.02 in), x.xxx ± 0.25 mm (0.010 in)

CONTACT: www.delta.com.tw/dcdc

USA:
Telephone:
East Coast: (888) 335 8201
West Coast: (888) 335 8208
Fax: (978) 656 3964
Email: DCDC@delta-corp.com

Europe:
Telephone: +41 31 998 53 11
Fax: +41 31 998 53 53
Email: DCDC@delta-es.tw

Asia & the rest of world:
Telephone: +886 3 4526107 ext 6220
Fax: +886 3 4513485
Email: DCDC@delta.com.tw

WARRANTY

Delta offers a two (2) year limited warranty. Complete warranty information is listed on our web site or is available upon request from Delta.

Information furnished by Delta is believed to be accurate and reliable. However, no responsibility is assumed by Delta for its use, nor for any infringements of patents or other rights of third parties, which may result from its use. No license is granted by implication or otherwise under any patent or patent rights of Delta. Delta reserves the right to revise these specifications at any time, without notice.