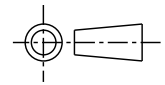


ISS.	DATE	E.C.N.	DESCRIPTION
1	19-Nov-08		FIRST RELEASE

© 2006 CARCLO
ALL DIMENSIONS IN mm



CUSTOMER DRAWING



CARCLO TECHNICAL PLASTICS (SLOUGH) LTD.
111 BUCKINGHAM AVE, SLOUGH
SL1 4PF, ENGLAND
TEL: +44 1753 575011 FAX: +44 1753 811359
e-mail: design@ctpcoil.co.uk

GENERAL TOLERANCES (UNLESS STATED)

LINEAR	ANGULAR
X +/- 0.25	X +/- 1°
X.X +/- 0.1	X.X +/- 0.5°
X.XX +/- 0.05	X.XX +/- 0.1°

CUSTOMER

TITLE

26.5mm OPTIC 0.8mm OFFSET
WIDE FROSTED

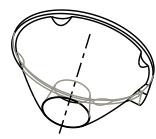
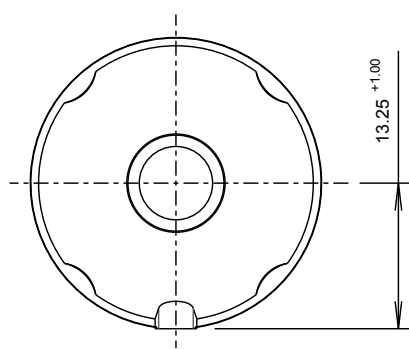
DRAWN M.B. DATE 19-Nov-08

CHK'D DATE

APP'D DATE

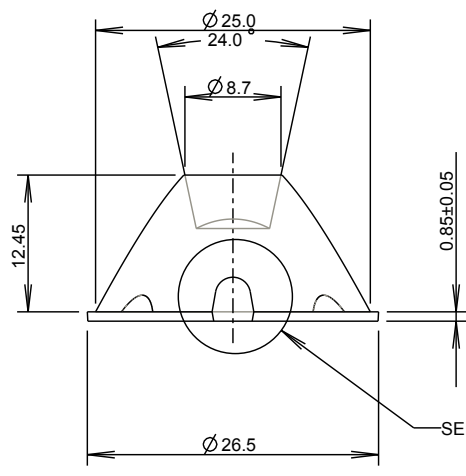
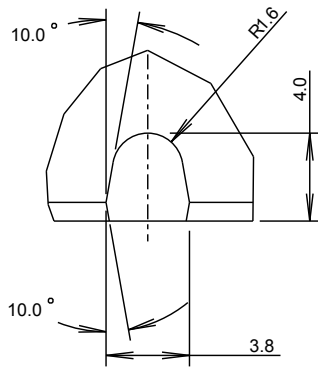
SCALE	COIL PART No.
2:1	10394

SIZE	COIL DRG. No.	SHEET
A4	60510	1 OF 1



SCALE 1:1
GENERAL VIEW

DETAIL A
SCALE 4:1



MATERIAL: POLYCARBONATE