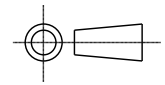


ISS.	DATE	E.C.N.	DESCRIPTION
3	9-Jan-09	1/09/1235	PART TABLE UPDATED

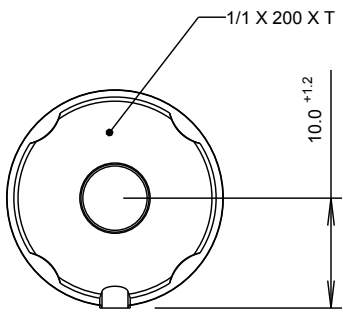
© 2008 CARCLO
ALL DIMENSIONS IN mm



CARCLO TECHNICAL PLASTICS (SLOUGH)
111 BUCKINGHAM AVE, SLOUGH
SL1 4PF, ENGLAND
TEL: +44 1753 575011 FAX: +44 1753 811359
e-mail: design@carclo-optics.com

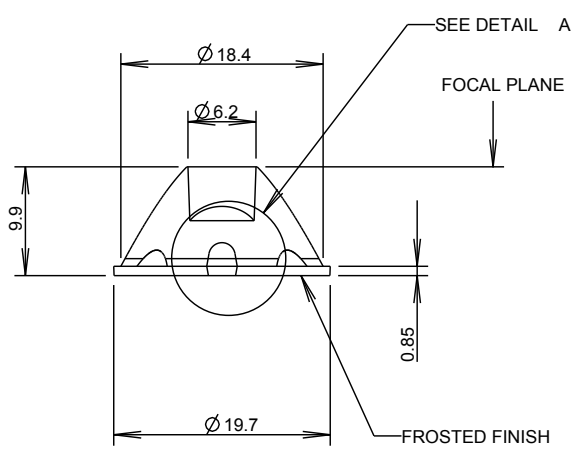
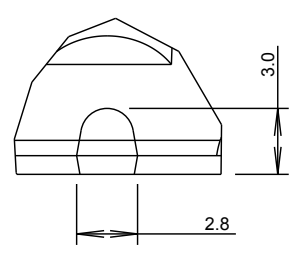
CUSTOMER DRAWING

- NOTES:
1. MATERIAL - UV STABILISED POLYCARBONATE
2. INCLUSIONS SPECIFIED TO BS4301



3D VIEW
SCALE 1:1

DETAIL A
SCALE 4:1



DESCRIPTION	PART NO.
SOFT NARROW BEAM	10138
SOFT MEDIUM BEAM	10139

GENERAL TOLERANCES (UNLESS STATED)		
LINEAR	ANGULAR	
X +/- 0.25	X	+/- 1°
X.X +/- 0.1	X.X	+/- 0.5°
X.XX +/- 0.05	X.XX	+/- 0.1°
CUSTOMER		
CARCLO		
TITLE		
FROSTED 20 MM OPTIC		
DRAWN	DATE	
AJD		17-Aug-06
CHK'D	DATE	
APP'D	DATE	
SCALE	CARCLO PART No.	
2:1	SEE TABLE	
SIZE	CARCLO DRG. No.	SHEET
A4	60424	1 OF 1