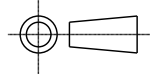


ISS.	DATE	E.C.N.	DESCRIPTION
1	13-Jan-06		FIRST ISSUE
2	15-May-08	1/07/1199	Material changed to Lexan LS2. Scallops changed from 3.5 to 3.75 3° draft added

© 2007 CARCLO  
ALL DIMENSIONS IN mm



**CUSTOMER DRAWING**



**CARCLO TECHNICAL PLASTICS (SLOUGH) LTD.**  
111 BUCKINGHAM AVE, SLOUGH  
SL1 4PF, ENGLAND  
TEL: +44 1753 575011 FAX: +44 1753 811359  
e-mail: design@ctpcoil.co.uk

GENERAL TOLERANCES (UNLESS STATED)

LINEAR	ANGULAR
X +/- 0.25	X +/- 1°
X.X +/- 0.1	X.X +/- 0.5°
X.XX +/- 0.05	X.XX +/- 0.1°

CUSTOMER

TITLE

**FROSTED 26.5mm OPTIC**

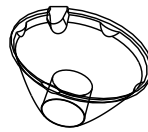
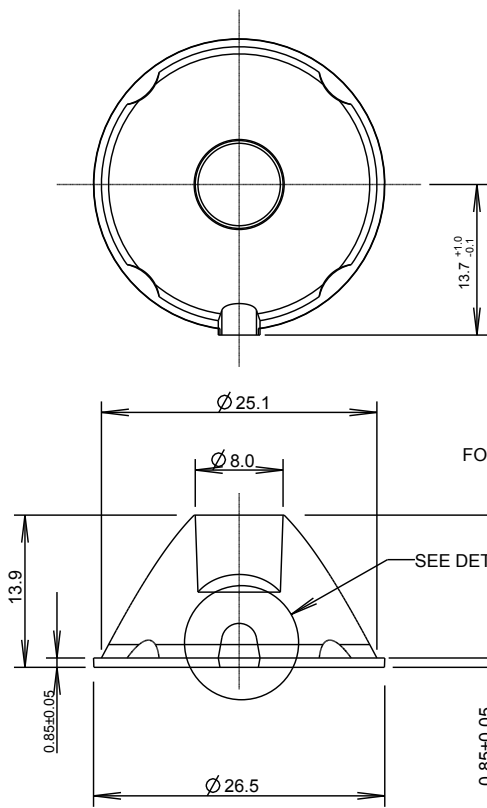
DRAWN **AJD** DATE **13-Jan-06**

CHK'D DATE

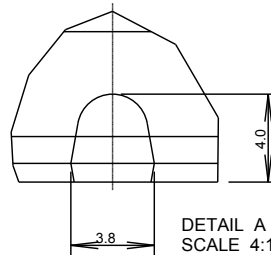
APP'D DATE

SCALE **2:1** COIL PART No. **10048**

SIZE **A4** COIL DRG. No. **60423** SHEET **1 OF 1**



SCALE 1:1  
GENERAL VIEW



DETAIL A  
SCALE 4:1

PART No.	DESCRIPTION
10124	SOFT NARROW
10108	SOFT MEDIUM

MATERIAL: LEXAN LS2