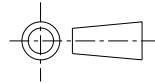


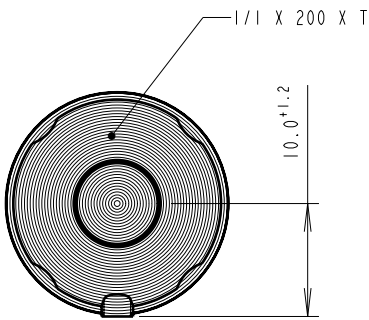
ISS.	DATE	E.C.N.	DESCRIPTION
1	17-Aug-06		FIRST ISSUE

© 2006 CARCLO  
ALL DIMENSIONS IN mm



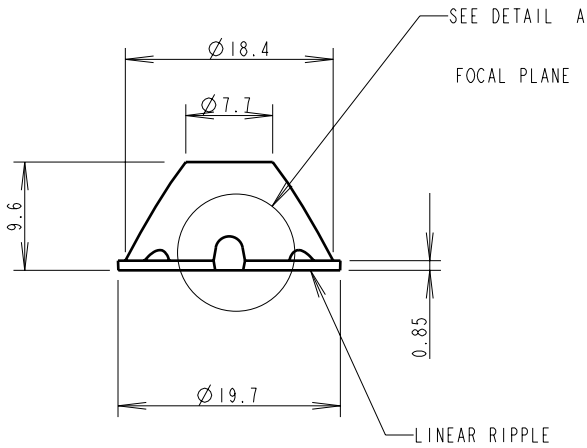
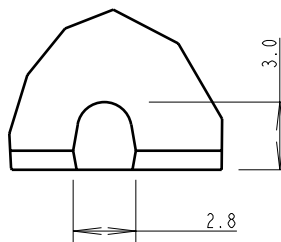
**CUSTOMER DRAWING**

- NOTES:  
1. MATERIAL - UV STABILISED POLYCARBONATE  
2. INCLUSIONS SPECIFIED TO BS4301



3D VIEW  
SCALE 1:1

DETAIL A  
SCALE 4:1



**CARCLO TECHNICAL PLASTICS (SLOUGH)**  
111 BUCKINGHAM AVE, SLOUGH  
SL1 4PF, ENGLAND

TEL: +44 1753 575011 FAX: +44 1753 811359  
e-mail: design@carclo-optics.com

**GENERAL TOLERANCES (UNLESS STATED)**

LINEAR	ANGULAR
X +/- 0.25	X +/- 1°
X.X +/- 0.1	X.X +/- 0.5°
X.XX +/- 0.05	X.XX +/- 0.1°

CUSTOMER

CARCLO

TITLE

MEDIUM CIRCULAR 1.4MM  
OFFSET FOCUS 20MM DIA OPTIC

DRAWN **AJD** DATE **17-Aug-06**

CHK'D DATE

APP'D DATE

SCALE  
**2:1**

CARCLO PART No.  
**10210**

SIZE  
**A4**

CARCLO DRG. No.  
**60438**

SHEET  
**2 OF 2**