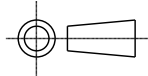


ISS.	DATE	E.C.N.	DESCRIPTION
1	17-Aug-06		FIRST ISSUE

© 2008 CARCLO  
ALL DIMENSIONS IN mm



CARCLO TECHNICAL PLASTICS (SLOUGH)  
111 BUCKINGHAM AVE, SLOUGH  
SL1 4PF, ENGLAND

TEL: +44 1753 575011 FAX: +44 1753 811359  
e-mail: design@carclo-optics.com

GENERAL TOLERANCES (UNLESS STATED)

LINEAR	ANGULAR
X +/- 0.25	X +/- 1°
X.X +/- 0.1	X.X +/- 0.5°
X.XX +/- 0.05	X.XX +/- 0.1°

CUSTOMER

CARCLO

TITLE

ORTHO LINEAR 1.4MM OFFSET  
FOCUS 20 MM DIA OPTIC

DRAWN AJD DATE 17-Aug-06

CHK'D DATE

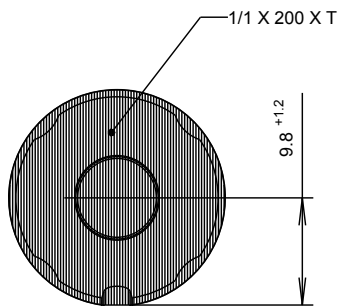
APP'D DATE

SCALE 2:1 CARCLO PART No. 10204

SIZE A4 CARCLO DRG. No. 60437 SHEET 1 OF 1

NOTES:  
1. MATERIAL - UV STABILISED POLYCARBONATE  
2. INCLUSIONS SPECIFIED TO BS4301

CUSTOMER DRAWING



3D VIEW  
SCALE 1:1

DETAIL A  
SCALE 4:1

