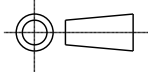


ISS.	DATE	E.C.N.	DESCRIPTION
2	15-Jan-07	1/07/1198	EJECTOR PIN CUT OUTS ENLARGED
3	9-Jan-09	1/09/1236	PART TABLE UPDATED

© 2008 CARCLO  
ALL DIMENSIONS IN mm



**CUSTOMER DRAWING**



CARCLO TECHNICAL PLASTICS (SLOUGH)  
111 BUCKINGHAM AVE, SLOUGH  
SL1 4PF, ENGLAND  
TEL: +44 1753 575011 FAX: +44 1753 811359  
e-mail: design@carclo-optics.com

GENERAL TOLERANCES (UNLESS STATED)

LINEAR	ANGULAR
X +/- 0.25	X +/- 1°
X.X +/- 0.1	X.X +/- 0.5°
X.XX +/- 0.05	X.XX +/- 0.1°

CUSTOMER

CARCLO

TITLE

0.8MM OFFSET FOCUS  
20 MM DIA OPTIC

DRAWN

DATE

AJD

17-Aug-06

CHK'D

DATE

APP'D

DATE

SCALE

2:1

CARCLO PART No.

SEE TABLE

SIZE

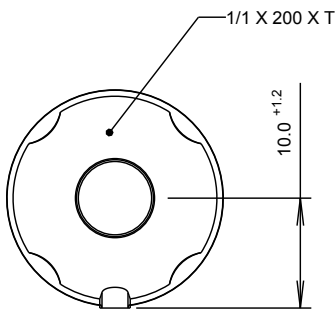
A4

CARCLO DRG. No.

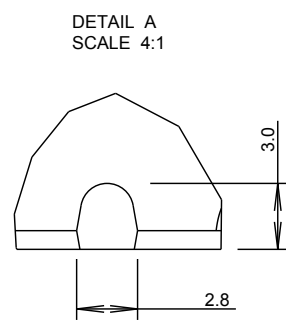
60431

SHEET

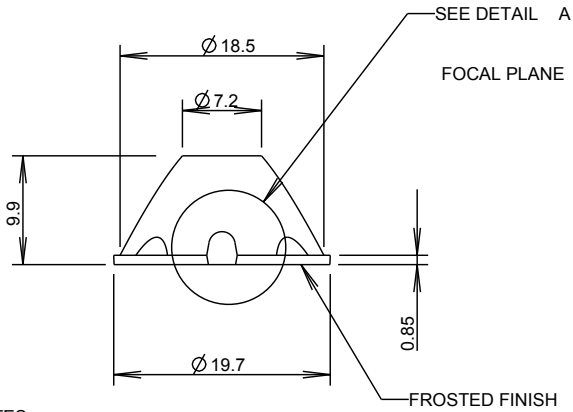
1 OF 1



3D VIEW  
SCALE 1:1



DETAIL A  
SCALE 4:1



- NOTES:  
1. MATERIAL - UV STABILISED POLYCARBONATE  
2. INCLUSIONS SPECIFIED TO BS4301

DESCRIPTION	PART NO.
PLAIN (NO FROSTING)	10193
SOFT NARROW BEAM	10194
SOFT MEDIUM BEAM	10195