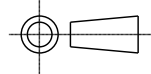


ISS.	DATE	E.C.N.	DESCRIPTION
1	17-Apr-07		FIRST ISSUE
2	23-May-08	40/O8/1217	CENTRE LENS HEIGHT AND RADIUS INCREASED

© 2008 CARCLO
ALL DIMENSIONS IN mm



CUSTOMER DRAWING



CARCLO TECHNICAL PLASTICS (SLOUGH)
111 BUCKINGHAM AVE, SLOUGH
SL1 4PF, ENGLAND
TEL: +44 1753 575011 FAX: +44 1753 811359
e-mail: design@carclo-optics.com

GENERAL TOLERANCES (UNLESS STATED)

LINEAR	ANGULAR
X +/- 0.25	X +/- 1°
X.X +/- 0.1	X.X +/- 0.5°
X.XX +/- 0.05	X.XX +/- 0.1°

CUSTOMER

CARCLO

TITLE

SOFT WIDE BEAM
FROSTED 20MM DIA OPTIC

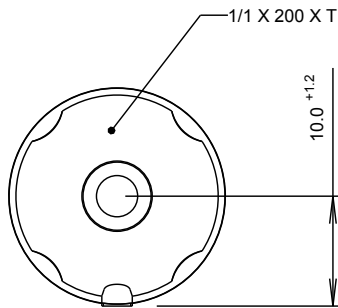
DRAWN DATE
AJD 17-Apr-07

CHK'D DATE

APP'D DATE

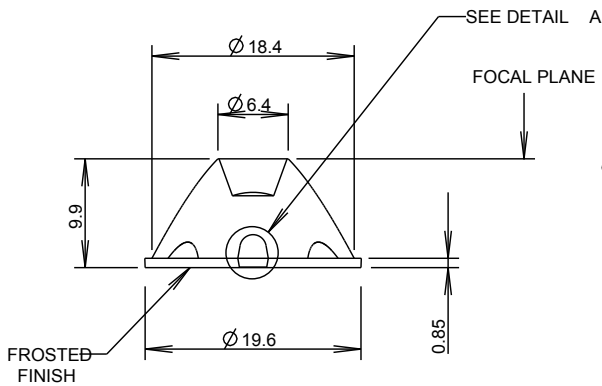
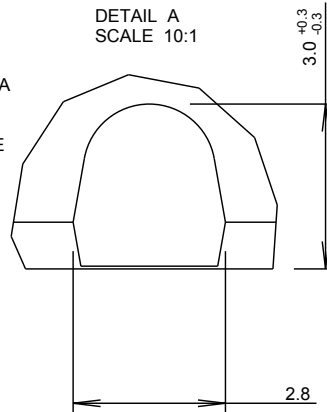
SCALE CARCLO PART No.
2:1 10140

SIZE CARCLO DRG. No. SHEET
A4 60460 1 OF 1



3D VIEW
SCALE 1:1

DETAIL A
SCALE 10:1



- NOTES:
1. MATERIAL - UV STABILISED POLYCARBONATE
2. INCLUSIONS SPECIFIED TO BS4301