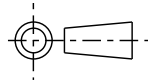


ISS.	DATE	E.C.N.	DESCRIPTION
3	6-JUL-04	08/04/1160	INCLUSION SPECIFICATION ADDED
4	15-Jan-07	1/07/1198	EJECTOR PIN CUTOUTS ENLARGED

© 2007 CARCLO  
ALL DIMENSIONS IN mm



**CUSTOMER DRAWING**



CARCLO TECHNICAL PLASTICS (SLOUGH) LTD.  
111 BUCKINGHAM AVE, SLOUGH  
SL1 4PF, ENGLAND  
TEL: +44 1753 575011 FAX: +44 1753 811359  
e-mail: design@ctpcoil.co.uk

GENERAL TOLERANCES (UNLESS STATED)

LINEAR	ANGULAR
X +/- 0.25	X +/- 1°
X.X +/- 0.1	X.X +/- 0.5°
X.XX +/- 0.05	X.XX +/- 0.1°

CUSTOMER

CARCLO

TITLE

LED COLLIMATOR PLAIN

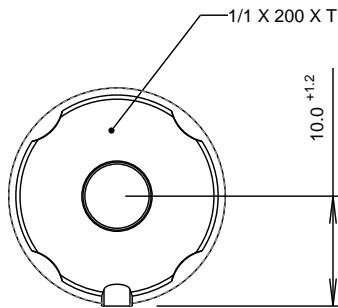
DRAWN AJD DATE 26-Jun-03

CHK'D DATE

APP'D DATE

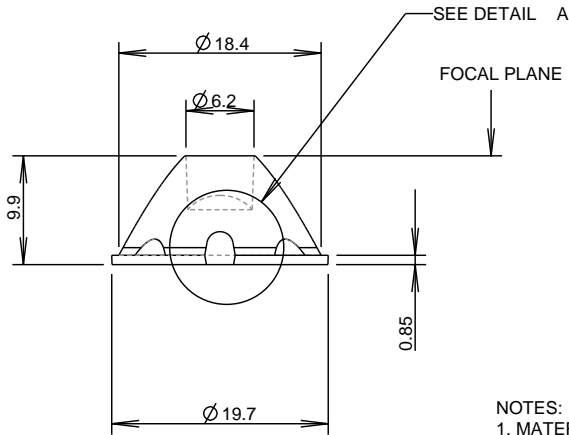
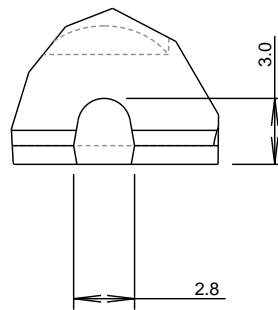
SCALE 2:1 COIL PART No. 10003

SIZE A4 COIL DRG. No. 60318 SHEET 1 OF 1



3D VIEW  
SCALE 1:1

DETAIL A  
SCALE 4:1



- NOTES:  
1. MATERIAL - UV STABILISED POLYCARBONATE  
2. INCLUSIONS SPECIFIED TO BS4301