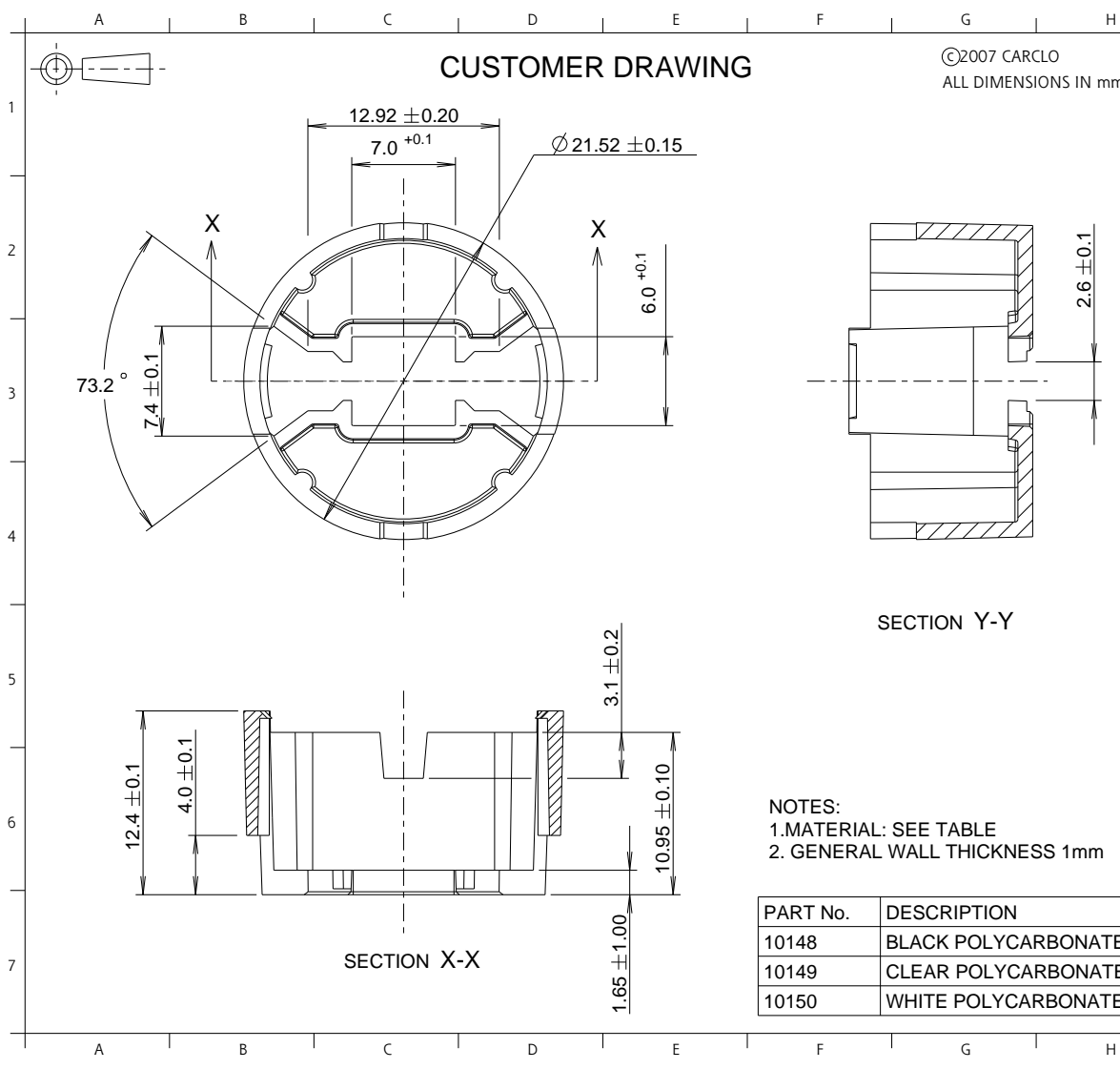


CUSTOMER DRAWING

©2007 CARCLO
ALL DIMENSIONS IN mm



ISS.	DATE	E.C.N.	DESCRIPTION
5	17-Jan-07		LED APERTURE CORNER RADIUS REDUCED
6	24-Jan-08	01/08/1215	APERTURE RESTRICTION TO IMPROVE LOCATION




 technical plastics
CARCLO TECHNICAL PLASTICS (SLOUGH)
 111 BUCKINGHAM AVE, SLOUGH
 SL1 4PF, ENGLAND
 TEL: +44 1753 575011 FAX: +44 1753 811359
 email: design@carclo-optics.com

GENERAL TOLERANCES (UNLESS STATED)

LINEAR	ANGULAR
X +/-.025	X +/-.1°
XX +/-.01	XX +/-.05°
XXX +/-.005	XXX +/-.01°

CUSTOMER
OSRAM GOLDEN DRAGON LED

TITLE
HOLDER FOR 20mm OPTIC & OSRAM DRAGON LED

DRAWN **RJL** DATE **17-Jan-06**

CHK'D DATE

APP'D DATE

SCALE **4:1** CARCLO PART No. **SEE TABLE**

SIZE **A3** CARCLO DRG. No. **60419** SHEET **1 OF 1**

- NOTES:
1. MATERIAL: SEE TABLE
2. GENERAL WALL THICKNESS 1mm

PART No.	DESCRIPTION
10148	BLACK POLYCARBONATE
10149	CLEAR POLYCARBONATE
10150	WHITE POLYCARBONATE