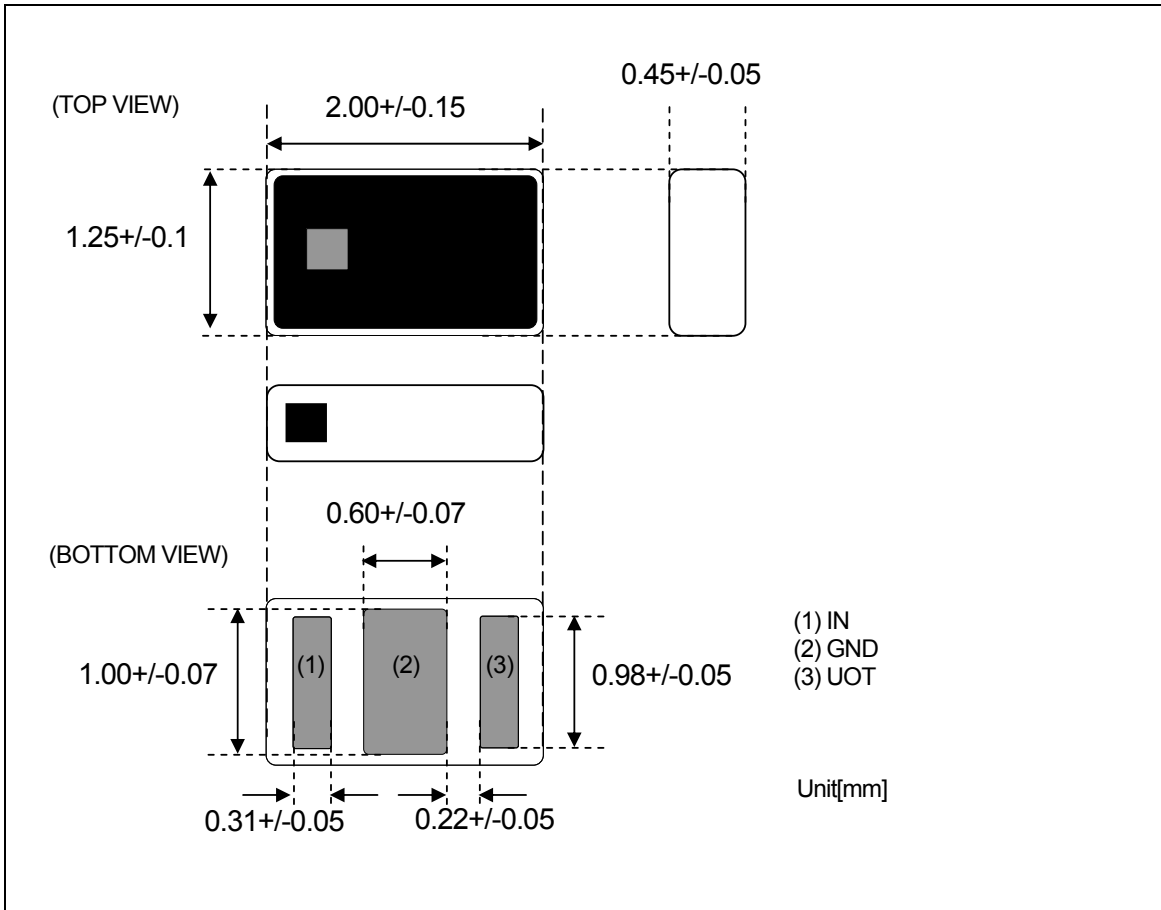


MULTILAYER BAND PASS FILTER
 P/N: **DEA202450BT-2114F1** For 2.4GHz W-LAN, BT

MECHANICAL DIMENSIONS



Internal connection

There is an internal DC blocking Capacitor between the In/Out Pins.

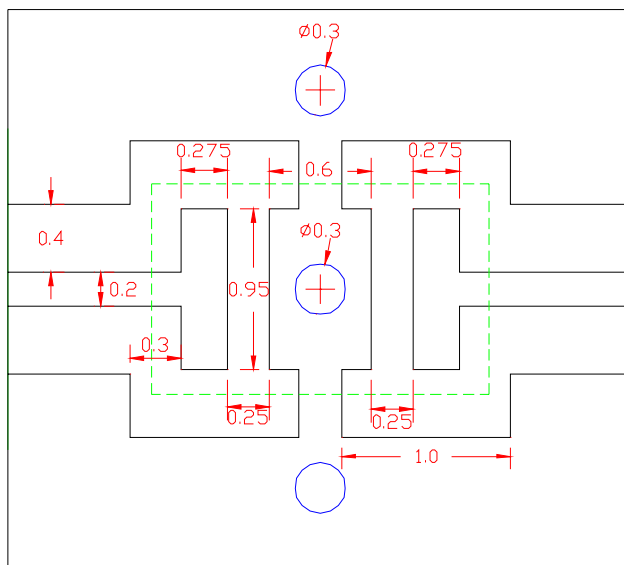
ELECTRICAL CHARACTERISTICS

Parameter		Spec	Unit
Frequency Range (Pass Band)		2400 – 2500	MHz
Insertion Loss	+25 °C	2.5 Max	dB
	-40 ~ +85 °C	TBD	dB
Single ended port characteristic impedance		50 (Nominal)	ohm
Return Loss	2400 – 2500 MHz	10 Min	dB
Attenuation	824 – 849 MHz	30 Min	dB
	880 – 915 MHz	30 Min	dB
	1545 – 1605 MHz	30 Min	dB
	1710 – 1785 MHz	34 Min	dB
	1850 – 1910 MHz	37 Min	dB
	1920 – 1980 MHz	30 Min	dB
	3168 – 3300 MHz	7 Min	dB
	3300 – 3800 MHz	11 Min	dB
	3800 – 4752 MHz	7 Min	dB
	4800 – 4967 MHz	33 Min	dB
	5150 – 6000 MHz	26 Min	dB
7200 – 7450.5 MHz	22 Min	dB	

TEMPERATURE RANGE

Storage Temperature	-40 ~ +85 °C
Operation Temperature	-40 ~ +85 °C

Land Pattern





Oct. / 2009 Ver.4.0

FREQUENCY CHARACTERISTICS

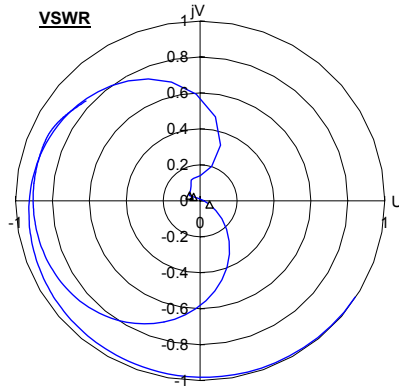
DEA202450BT-2114F1

spec.

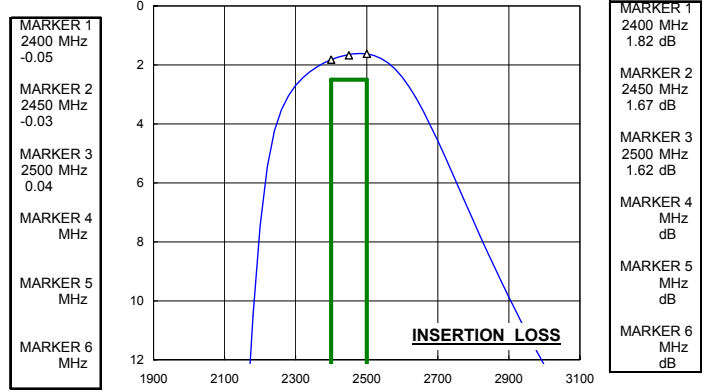
7/Sep/2009

TDK Corporation

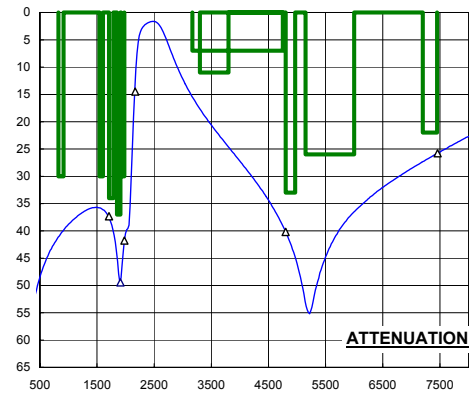
S11 POLA REF 1.0 U SCALE 1.0U FS



S21 Log MAG REF 0.0dB SCALE 5.0dB/



S21 Log MAG REF 0.0dB SCALE 5.0dB/



S11 Log MAG REF 0.0dB SCALE 5.0dB/

