

REVISION C

RECOMMENDED PCB LAYOUT FOR EJH-1XX-01-X-D-XX-XX-XX

C	BM	J EMERSON
3/20/2006		ECN-57326

FIG. 1
-SM OPTION

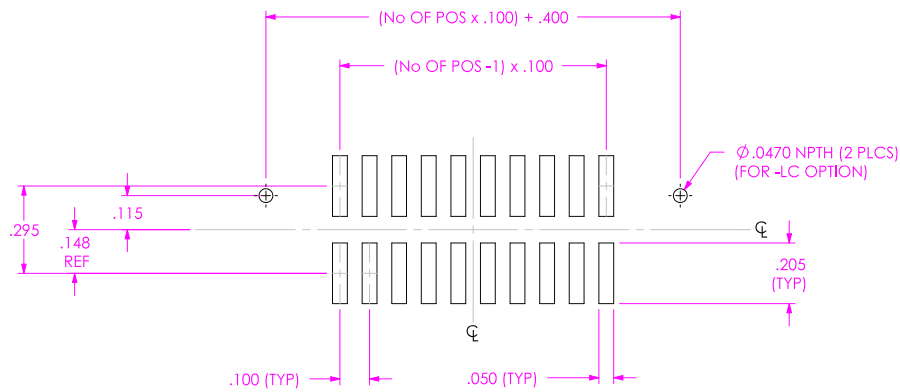
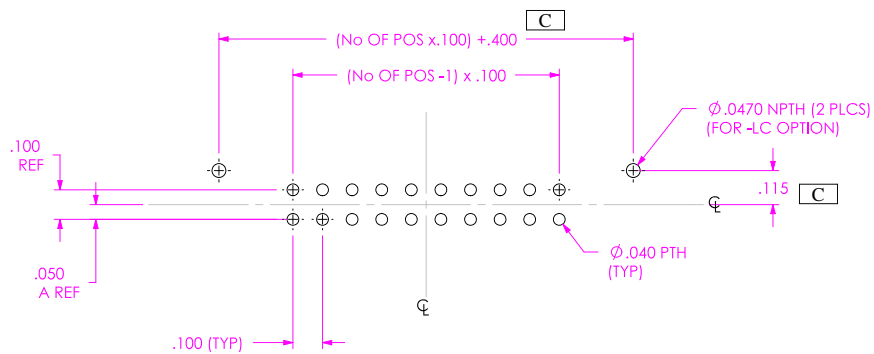


FIG. 2 C
-RA OPTION



ALL DIMENSIONS ARE SYMMETRIC ABOUT THE CENTERLINE.

PROPRIETARY NOTE
THE DOCUMENT CONTAINS INFORMATION CONFIDENTIAL AND PROPRIETARY TO SAMTEC, INC. AND SHALL NOT BE REPRODUCED OR TRANSFERRED TO OTHER DOCUMENTS OR DISCLOSED TO OTHERS OR USED FOR ANY PURPOSE OTHER THAN THAT WHICH IT WAS OBTAINED WITHOUT THE EXPRESSED WRITTEN CONSENT OF SAMTEC, INC.

SAMTEC
520 PARK EAST BLVD, NEW ALBANY, IN 47150
* PHONE: 812.944.6733 FAX: 812.948.5047
e-Mail: INFO@SAMTEC.COM CODE: 55322

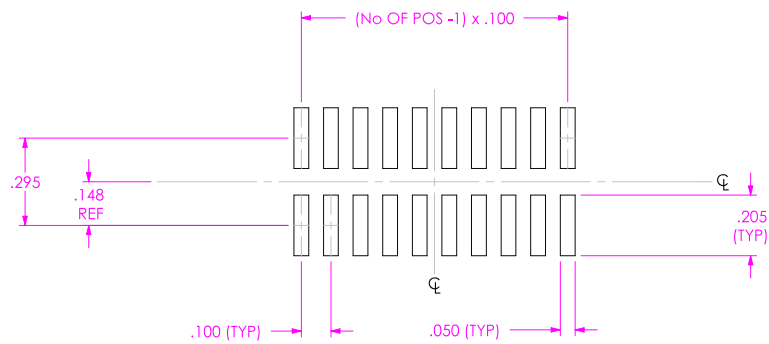


F:\DWG\MISC\mktg\FOOTPRINT\EJH-1XX-01-X-D-XX-XX-XX-FOOTPRINT.SLDDRW

REVISION C

RECOMMENDED STENCIL LAYOUT FOR EJH-1XX-01-X-D-XX-XX-XX

NOTE:
STENCIL TO BE .0060[.152] THICK.



ALL DIMENSIONS ARE SYMMETRIC ABOUT THE CENTERLINE.



F:\DWG\MISC\mktg\FOOTPRINT\EJH-1XX-01-X-D-XX-XX-XX-FOOTPRINT.SLDRW

PROPRIETARY NOTE
THE DOCUMENT CONTAINS INFORMATION
CONFIDENTIAL AND PROPRIETARY TO
SAMTEC, INC. AND SHALL NOT BE REPRODUCED
OR TRANSFERRED TO OTHER DOCUMENTS OR
DISCLOSED TO OTHERS OR USED FOR ANY
PURPOSE OTHER THAN THAT WHICH IT WAS
OBTAINED WITHOUT THE EXPRESSED WRITTEN
CONSENT OF SAMTEC, INC.

SAMTEC

520 PARK EAST BLVD, NEW ALBANY, IN 47150
* PHONE: 812.944.6733 FAX: 812.948.5047
e-Mail: INFO@SAMTEC.COM CODE: 55322