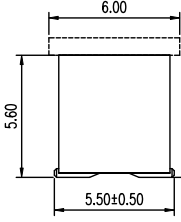
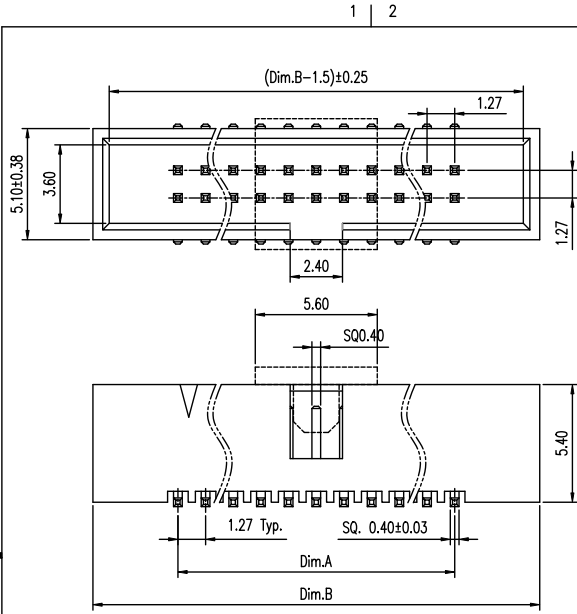


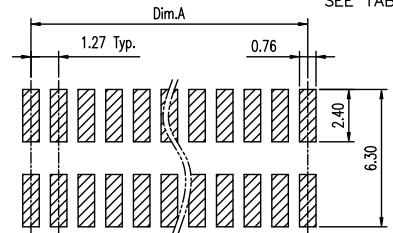
Tous droits strictement réservés. Reproduction ou communication a des tiers interdite sous quelque forme que ce soit sans autorisation écrite du propriétaire. Propriété de c FCI. Droits de reproduction FCI.



All rights strictly reserved. Reproduction or issue to third parties in any form whatever is not permitted without written authority from the proprietor. Property of FCI. Copyright FCI.



□ 0.10 FOR 6-40 POS.
□ 0.12 FOR 40-100 POS.



Recommended P.C.B. Layout
Layout Tolerance = ± 0.05 mm

- NOTE:
- MATERIAL,
HOUSING: HIGH TEMP PLASTIC, UL94-V0, BLACK
TERMINAL: COPPER ALLOY, T=0.40±0.03MM
 - FINISH:
TERMINAL: GOLD AT CONTACT,
G/F OVER 1um(40u") MIN Ni OVER ALL
 - SPEC.:
PRODUCT SPEC: GS-12-629
PACKING SPEC: GS-14-1420
 - THE HSG. WILL WITHSTAND EXPOSURE TO 260C PEAK TEMP. FOR 10 SEC. IN A CONVECTION, INFRA-RED OR VAPOR PHASE REFLOW OVEN.
 - PRODUCT NUMBERING:
20021521 - 0 0 0 XX X X LF

LEAD FREE
PLATING:
1: GOLD FLASH ALL OVER
4: 0.25um(10u") GOLD AT CONTACT
8: 0.76um(30u") GOLD AT CONTACT
PACKING
T: TUBE
D: TUBE+CAP
C: REEL+CAP
PIN COUNT
SEE TABLE 1

TABLE 1 ,DIM INFORMATION

DASH No.	Dim.	Amount of Pins	Dim.A	Dim.B
-000 06 XX LF	06	06	2.54	10.11
-000 10 XX LF	10	10	5.08	12.65
-000 12 XX LF	12	12	6.35	13.92
-000 14 XX LF	14	14	7.62	15.19
-000 16 XX LF	16	16	8.89	16.46
-000 20 XX LF	20	20	11.43	19.00
-000 26 XX LF	26	26	15.24	22.81
-000 30 XX LF	30	30	17.78	25.35

DASH No.	Dim.	Amount of Pins	Dim.A	Dim.B
-000 34 XX LF	34	34	20.32	27.89
-000 40 XX LF	40	40	24.13	31.70
-000 44 XX LF	44	44	26.67	34.24
-000 50 XX LF	50	50	30.48	38.05
-000 60 XX LF	60	60	36.83	44.40
-000 64 XX LF	64	64	39.37	46.94
-000 68 XX LF	68	68	41.91	49.48
-000 80 XX LF	80	80	49.53	57.10
-000 A0 XX LF	100	100	62.23	69.90

mat'l. code		tolerances unless otherwise specified		CUSTOMER COPY		FCI		www.fciconnect.com	
ltr	ecr no	dr	date	linear	.X ± 0.38	projection	title	1.27X1.27MM BTB,HEADER SHROUDED, SMT	
A	T09-1117	S.LIN	09/15/09		.XX ± 0.25	MM	product family	585	
B	T10-0024	S.LIN	01/21/10		.XXX ± 0.10		size dwg no	20021521	
C	T11-0010	S.LIN	10'-02-13	angles	0° ± 2°	scale	A4	code TWN sheet 1 of 1	
		dr	STERLING LIN	09/15/09					
		engr	STERLING LIN	09/15/09					
		chr	GARY HSIEH	09/15/09					
		appd	JOSEPH HSIA	09/15/09					
sheet index	revision sheet	C	1					cage code	4