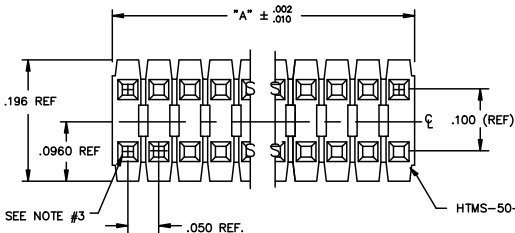


REV. BH

- NOTES:
1. MAX ALLOWABLE BOW: .005 INCH/INCH.
 2. TERMINAL PUSHOUT FORCE: 2 lbs. MIN.
 3. MAX PIN ROTATION IN BODY: 2°.
 4. CUT FLASH .010 MAX.
 5. TUBE POSITIONS 8-50 ONLY. POSITIONS 2-7 TO BE BULK PACKAGED.

DIMENSIONS ARE IN INCHES		TOLERANCES ARE:		TITLE:	DWG NO.:
ONE PLACE DECIMALS ± .1	THREE PLACE DECIMALS ± .005	ANGLES ± 2°		TERMINAL MICRO STRIP	TMS-1XX-XX-XX-X-XX-XXX
TWO PLACE DECIMALS ± .01	FOUR PLACE DECIMALS ± .0020				SHEET 1 of 1



TMS-1XX-XX-XX-X-XX-XXX

OPTION
-POLARIZING SPECIFICATION
XXX INDICATES POS. TO BE OMITTED (SEE FIG. 1)

OPTION
-RA: RIGHT ANGLE (SEE TABLE 1) (SINGLE & DOUBLE RA AVAILABLE IN STYLE -01, -02, & -03 ONLY)

BODY SPECIFICATION
-S: SINGLE (USE HTMS-50-S)
-D: DOUBLE (USE HTMS-50-D)

PLATING SPECIFICATION
-G: GOLD, SPECIFY -G IN TERMINAL SUFFIX -XX
-T: TIN, SPECIFY -T IN TERMINAL SUFFIX -XX
ONLY AVAILABLE ON LEAD STYLES -01, -02, -51 AND -52.
-S: SELECTIVE, SPECIFY -S IN TERMINAL SUFFIX -XX
-F: FLASH GOLD, SPECIFY -F IN TERMINAL SUFFIX -XX
-H: HEAVY GOLD, SPECIFY -H IN TERMINAL SUFFIX -XX
-FM: SELECTIVE FLASH GOLD, MATTE TIN REMAINDER SPECIFY -F IN TERMINAL SUFFIX -XX
-SM: SELECTIVE GOLD, MATTE TIN REMAINDER SPECIFY -S IN TERMINAL SUFFIX -XX
-TM: MATTE TIN -T IN TERMINAL SUFFIX -XX
ONLY AVAILABLE ON LEAD STYLES -01, -02, -51 AND -52.
-L: LIGHT SELECTIVE GOLD, MATTE TIN REMAINDER SPECIFY -L IN TERMINAL SUFFIX -XX

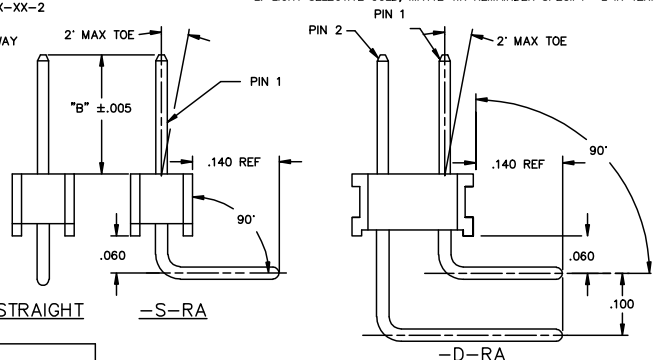
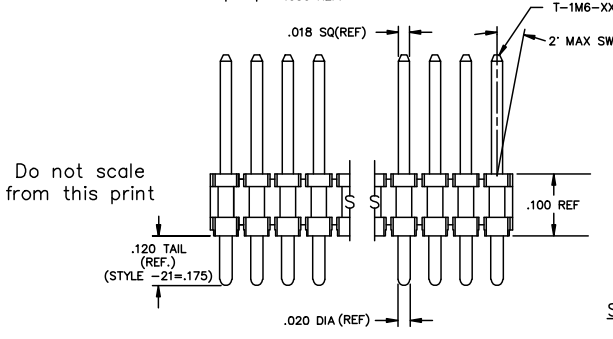
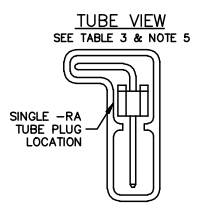
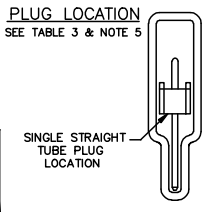
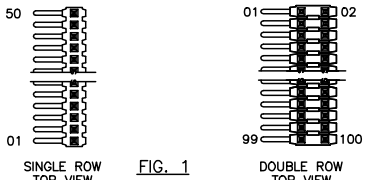


TABLE 2

LENGTH	"L"	CONTACT AREA
-01	.440	.140
-02	.410	.140
-03	.610	.190
-04	.505	.190
-05	.705	.190
-12	.425	.165
-13	.625	.190
-14	.555	.190
-15	.755	.190
-16	.825	.190
-17	.320	.060
-18	.450	.190
-19	.650	.190
-21	.505	.190
-25	.330	.060
-26	.373	.075
-27	.398	.100
-28	1.050	.190

* REF FOR PIN LENGTH



PACKAGING TUBE TABLE

BODY STYLE	LEAD STYLE	TUBE	PLUG
	-01,-21, -51,-52	PT-1-24-01-22	TP-03
	-02	PT-1-24-01-95	TP-03
	-03	PT-1-24-02-66	TP-03
	-53,-56	PT-1-24-01-29	TP-24
	-54	PT-1-24-02-46	TP-03
	-57	PT-1-24-02-25	TP-03
	-58,-59	PT-1-24-16-29	TP-07
	-60	PT-1-24-18-29	TP-07
	-01	PT-1-24-01-24	TP-24
	-21	PT-1-24-02-29	TP-24
	-58,-59,-60	PT-1-24-10-03	TP-33
	-02	PT-1-24-01-12	TP-12
	-51,-52	PT-1-24-01-66	TP-24
	-53,-54, -55,-56	PT-1-24-02-03	TP-24
	-57	PT-1-24-01-46	TP-24
	-01,-02,-03	PT-1-24-02-66	TP-03
	-01,-02,-03	PT-1-24-01-66	TP-24

TABLE 1

STRAIGHT OPTION		RIGHT ANGLE OPTION		ALL	
LEAD STYLE	TERMINAL SPEC.	LEAD STYLE	PIN #1	PIN #2	"B"
-01	T-1M6-18-XX-2	-01	T-1M6-14-XX-2	T-1M6-15-XX-2	.730
-02	T-1M6-17-XX-2	-02	T-1M6-12-XX-2	T-1M6-13-XX-2	.100
-03	N/A	-03	T-1M6-18-XX-2	T-1M6-19-XX-2	.125
-21	T-1M6-21-XX-2	-21	N/A	N/A	.230
-51	T-1M6-02-XX-2	-51	N/A	N/A	.190
-52	T-1M6-12-XX-2	-52	N/A	N/A	.205
-53	T-1M6-04-XX-2	-53	N/A	N/A	.285
-54	T-1M6-14-XX-2	-54	N/A	N/A	.305
-55	T-1M6-03-XX-2	-55	N/A	N/A	.380
-56	T-1M6-13-XX-2	-56	N/A	N/A	.465
-57	T-1M6-18-XX-2	-57	N/A	N/A	.430
-58	T-1M6-05-XX-2	-58	N/A	N/A	.485
-59	T-1M6-15-XX-2	-59	N/A	N/A	.535
-60	T-1M6-16-XX-2	-60	N/A	N/A	.605

PROPRIETARY NOTE
THIS DOCUMENT CONTAINS INFORMATION OF A PROPRIETARY NATURE AND IS NOT TO BE REPRODUCED OR TRANSMITTED IN ANY FORM OR BY ANY MEANS, ELECTRONIC OR MECHANICAL, INCLUDING PHOTOCOPYING, RECORDING, OR BY ANY INFORMATION STORAGE AND RETRIEVAL SYSTEM, WITHOUT THE WRITTEN CONSENT OF SAMTEC.

MATERIAL:
BODY: LIQUID CRYSTAL POLYMER
COLOR: BLACK
TERMINAL: PHOSPHOR BRONZE

samtec
520 PARK EAST BLVD. NEW ALBANY, INDIANA 47151-1147
PHONE (812) 944-6733 P.O. BOX 1147
CODE 55322

MADE BY: PURVIS 8-13-87
CHECKED BY: WILLIAMS 10-21-87
EBC APPROVAL: TMS-1XX-XX-XX-X-XX-XXX
SHEET 1 OF 1