



GENERAL DESCRIPTION

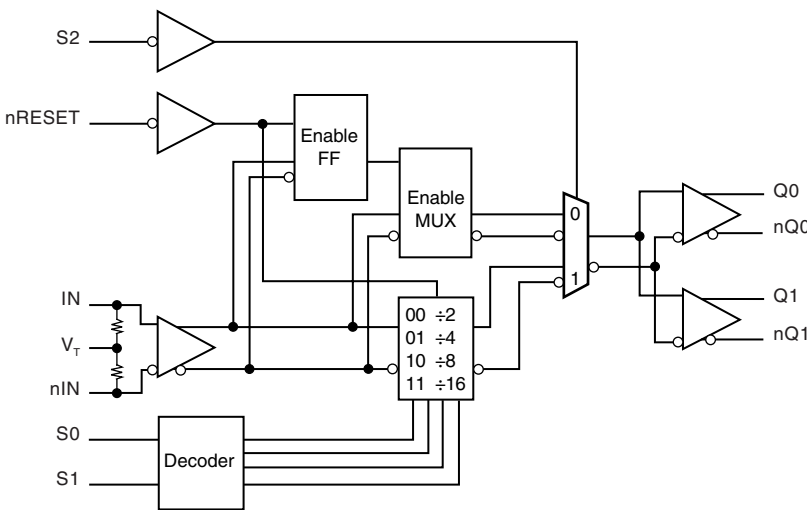


The ICS889874 is a high speed 1:2 Differential-to-LVPECL Buffer/Divider and is a member of the HiPerClockS™ family of high performance clock solutions from ICS. The ICS889874 has a selectable ÷1, ÷2, ÷4, ÷8, ÷16 output divider, which allows the device to be used as either a 1:2 fanout buffer or frequency divider. The clock input has internal termination resistors, allowing it to interface with several differential signal types while minimizing the number of required external components. The device is packaged in a small, 3mm x 3mm VFQFN package, making it ideal for use on space-constrained boards.

FEATURES

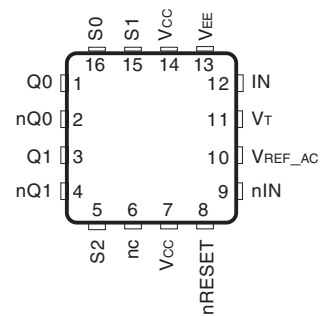
- Two LVPECL outputs
- Frequency divide select options: ÷ 1, ÷ 2, ÷ 4, ÷ 8, ÷ 16
- IN, nIN input can accept the following differential input levels: LVPECL, LVDS, CML
- Output frequency: > 2.5GHz
- Output skew: 5ps (typical)
- Part-to-part skew: TBD
- Additive jitter, RMS: <0.03ps (design target)
- Supply voltage range: (LVPECL), 2.375V to 3.465V
Supply voltage range: (ECL), -3.465V to -2.375V
- -40°C to 85°C ambient operating temperature
- Available in both standard and lead-free RoHS compliant packages

BLOCK DIAGRAM



V_{REF_AC} _____

PIN ASSIGNMENT



ICS889874
16-Lead VFQFN
3mm x 3mm x 0.95 package body
K Package
Top View

The Preliminary Information presented herein represents a product in prototyping or pre-production. The noted characteristics are based on initial product characterization. Integrated Circuit Systems, Incorporated (ICS) reserves the right to change any circuitry or specifications without notice.



TABLE 1. PIN DESCRIPTIONS

Number	Name	Type		Description
1, 2	Q0, nQ0	Output		Differential output pair. LVPECL / ECL interface levels.
3, 4	Q1, nQ1	Output		Differential output pair. LVPECL / ECL interface levels.
5, 15, 16	S2, S1, S0	Input	Pullup	Select pins. LVCMOS/LVTTL interface levels.
6	nc	Unused		No connect.
7, 14	V _{CC}	Power		Positive supply pins.
8	nRESET	Input	Pullup	Synchronizing enable/disable pin. When LOW, resets the divider. When HIGH, unconnected. Input threshold is V _{CC} /2V. Includes a 37kΩ pull-up resistor. LVTTL / LVCMOS interface levels.
9	nIN	Input		Inverting differential LVPECL clock input.
10	V _{REF AC}	Output		Reference voltage for AC-coupled applications.
11	V _T	Input		Termination input.
12	IN	Input		Non-inverting LVPECL differential clock input.
13	V _{EE}	Power		Negative supply pin.

NOTE: *Pullup* refers to internal input resistors. See Table 2, Pin Characteristics, for typical values.

TABLE 2. PIN CHARACTERISTICS

Symbol	Parameter	Test Conditions	Minimum	Typical	Maximum	Units
R _{PULLUP}	Input Pullup Resistor			37		kΩ



TABLE 3A. CONTROL INPUT FUNCTION TABLE

Inputs		Outputs	
nRESET	Selected Source	Q0, Q1	nQ0, nQ1
0	IN, nIN	Disabled; LOW	Disabled; HIGH
1	IN, nIN	Enabled	Enabled

NOTE: After nRESET switches, the clock outputs are disabled or enabled following a falling input clock edge as shown in Figure 1.

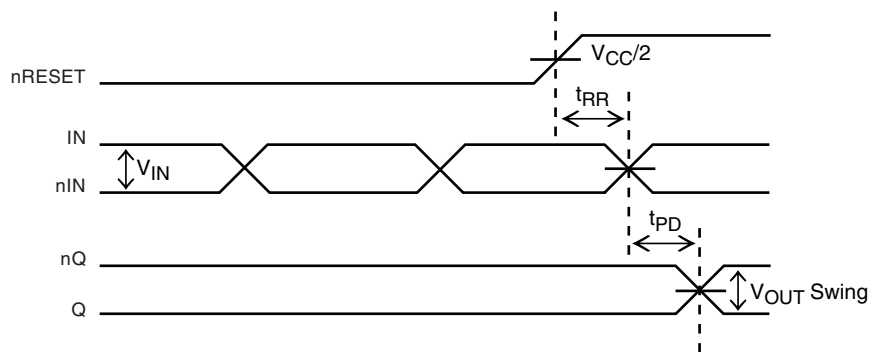


FIGURE 1. nRESET TIMING DIAGRAM (WHEN S2 = 1)

TABLE 3B. TRUTH TABLE

nRESET	Inputs			Outputs
	S2	S1	S0	
1	0	X	X	Reference Clock (pass through)
1	1	0	0	Reference Clock ÷2
1	1	0	1	Reference Clock ÷4
1	1	1	0	Reference Clock ÷8
1	1	1	1	Reference Clock ÷16
0	1	X	X	Q = LOW, nQ = HIGH Clock Disable; (NOTE 1)
0	0	X	X	Q = LOW, nQ = HIGH Clock Disable; (NOTE 1)

NOTE 1: Reset/Disable function is asserted on the next clock input (IN/nIN) high-to-low transition.



ABSOLUTE MAXIMUM RATINGS

Supply Voltage, V_{CC}	-0.5V to +4.0V
Inputs, V_I	-0.5V to $V_{CC} + 0.5V$
Outputs, I_O	
Continuous Current	50mA
Surge Current	100mA
Input Current I_{IN} , nIN	$\pm 50mA$
V_T Current, I_{VT}	$\pm 100mA$
V_{REF_AC} Sink/Source, I_{VREF_AC}	$\pm 0.5mA$
Operating Temperature Range, T_A	-40°C to +85°C
Storage Temperature, T_{STG}	-65°C to 150°C
Package Thermal Impedance, θ_{JA} (Junction-to-Ambient)	51.5°C/W (0 lfpm)

NOTE: Stresses beyond those listed under Absolute Maximum Ratings may cause permanent damage to the device. These ratings are stress specifications only. Functional operation of product at these conditions or any conditions beyond those listed in the *DC Characteristics* or *AC Characteristics* is not implied. Exposure to absolute maximum rating conditions for extended periods may affect product reliability.

TABLE 4A. POWER SUPPLY DC CHARACTERISTICS, $V_{CC} = 3.3V \pm 10\%$ OR $2.5V \pm 5\%$; $T_A = -40^\circ C$ TO $85^\circ C$

Symbol	Parameter	Test Conditions	Minimum	Typical	Maximum	Units
V_{CC}	Positive Supply Voltage		2.375	3.3	3.63	V
I_{EE}	Power Supply Current			50		mA

TABLE 4B. LVCMOS/LVTTL DC CHARACTERISTICS, $V_{CC} = 3.3V \pm 10\%$ OR $2.5V \pm 5\%$; $T_A = -40^\circ C$ TO $85^\circ C$

Symbol	Parameter	Test Conditions	Minimum	Typical	Maximum	Units
V_{IH}	Input High Voltage		2		$V_{CC} + 0.3$	V
V_{IL}	Input Low Voltage		0		0.8	V
I_{IH}	Input High Current	$V_{CC} = V_{IN} = 3.63V$	-125		20	μA
I_{IL}	Input Low Current	$V_{CC} = 3.63V, V_{IN} = 0V$			-300	μA

TABLE 4C. DC CHARACTERISTICS, $V_{CC} = 3.3V \pm 10\%$ OR $2.5V \pm 5\%$; $T_A = -40^\circ C$ TO $85^\circ C$

Symbol	Parameter	Test Conditions	Minimum	Typical	Maximum	Units
R_{IN}	Differential Input Resistance (IN, nIN)			100		Ω
V_{IH}	Input High Voltage (IN, nIN)		1.2		V_{CC}	V
V_{IL}	Input Low Voltage (IN, nIN)		0		$V_{CC} - 0.15$	V
V_{IN}	Input Voltage Swing		0.15		2.8	V
V_{DIFF_IN}	Differential Input Voltage Swing		0.3			V
I_{IN}	Input Current (IN, nIN)				45	mA
V_{REF_AC}	Bias Voltage			$V_{CC} - 1.35$		V



TABLE 4D. LVPECL DC CHARACTERISTICS, $V_{CC} = 3.3V \pm 10\%$ OR $2.5V \pm 5\%$; $T_A = -40^\circ C$ TO $85^\circ C$

Symbol	Parameter	Conditions	Minimum	Typical	Maximum	Units
V_{OH}	Output High Voltage; NOTE 1			$V_{CC} - 1.005$		mV
V_{OL}	Output Low Voltage; NOTE 1			$V_{CC} - 1.78$		mV
V_{OUT}	Output Voltage Swing			800		mV
V_{DIFF_OUT}	Differential Output Voltage Swing			1.60		V

Input and output parameters vary 1:1 with V_{CC} . V_{EE} can vary +0.925V to -0.5V.

NOTE 1: Outputs terminated with 50Ω to $V_{CC} - 2V$.

TABLE 5. AC CHARACTERISTICS, $V_{CC} = 3.3V \pm 10\%$ OR $2.5V \pm 5\%$; $T_A = -40^\circ C$ TO $85^\circ C$

Symbol	Parameter	Condition	Minimum	Typical	Maximum	Units
f_{MAX}	Maximum Output Frequency	Output Swing $\geq 450mV$	2			GHz
	Maximum Input Frequency	$\div 2, \div 4, \div 8, \div 16$	2			GHz
t_{PD}	Propagation Delay, (Differential); NOTE 1	Input Swing: $< 400mV$		725		ps
		Input Swing: $\geq 400mV$		725		ps
$t_{sk(o)}$	Output Skew; NOTE 2, 4			5		ps
$t_{sk(pp)}$	Part-to-Part Skew; NOTE 3, 4			TBD		ps
t_{jit}	Additive Phase Jitter, RMS; refer to Additive Phase Jitter section			< 0.03		ps
t_{RR}	Reset Recovery Time			TBD		ps
t_R/t_F	Output Rise/Fall Time	20% to 80%		180		ps
t_S	Clock Enable Setup Time	EN to IN, nIN		TBD		ps
t_H	Clock Enable Hold Time	EN to IN, nIN		TBD		ps

All parameters characterized at $\leq 1GHz$ unless otherwise noted.

NOTE 1: Measured from the differential input crossing point to the differential output crossing point.

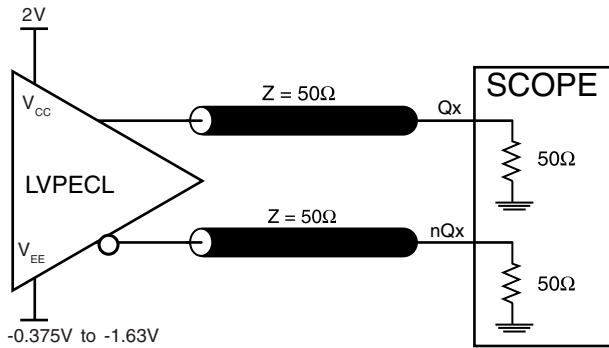
NOTE 2: Defined as skew between outputs at the same supply voltage and with equal load conditions. Measured at the output differential cross points.

NOTE 3: Defined as skew between outputs on different devices operating at the same supply voltages and with equal load conditions. Using the same type of inputs on each device, the outputs are measured at the differential cross points.

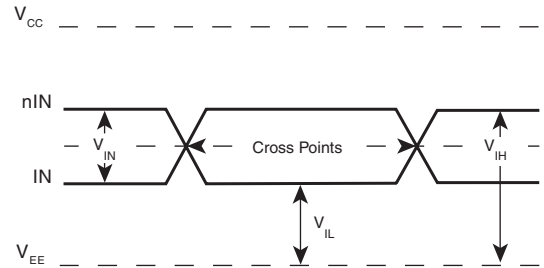
NOTE 4: This parameter is defined in accordance with JEDEC Standard 65.



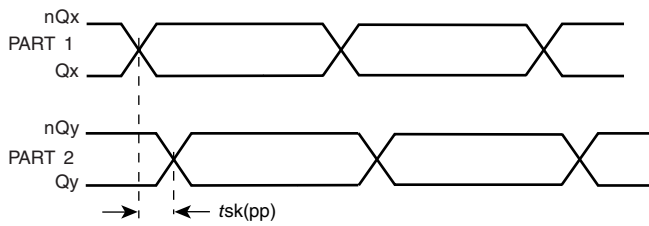
PARAMETER MEASUREMENT INFORMATION



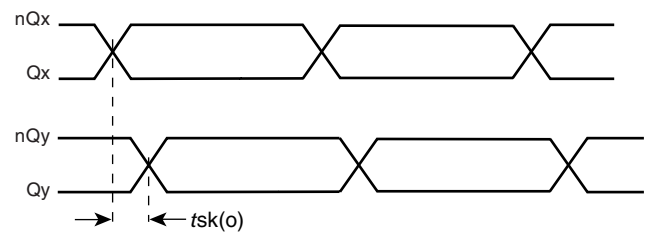
OUTPUT LOAD AC TEST CIRCUIT



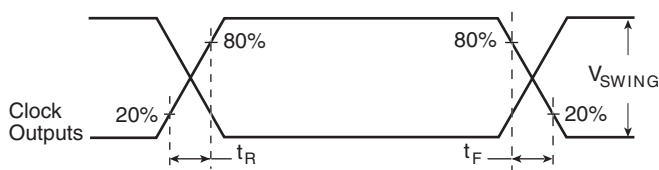
DIFFERENTIAL INPUT LEVEL



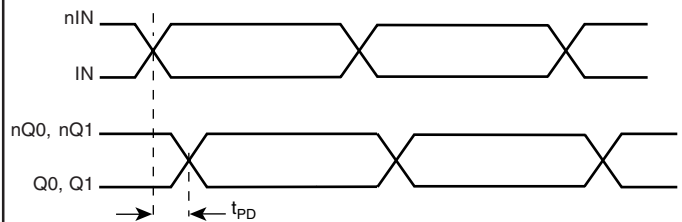
PART-TO-PART SKEW



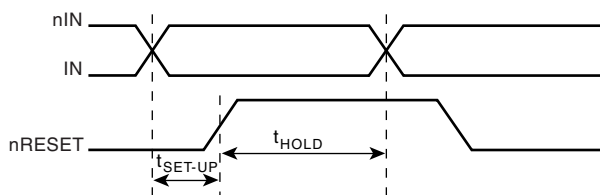
OUTPUT SKEW



OUTPUT RISE/FALL TIME



PROPAGATION DELAY



SETUP & HOLD TIME



SINGLE ENDED & DIFFERENTIAL INPUT VOLTAGE SWING



APPLICATION INFORMATION

3.3V LVPECL INPUT WITH BUILT-IN 50Ω TERMINATIONS INTERFACE

The IN /nIN with built-in 50Ω terminations accepts LVDS, LVPECL, LVHSTL, CML, SSTL and other differential signals. Both V_{SWING} and V_{OH} must meet the V_{PP} and V_{CMR} input requirements. Figures 2A to 2E show interface examples for the HiPerClockS IN/nIN input with built-in 50Ω terminations driven

by the most common driver types. The input interfaces suggested here are examples only. If the driver is from another vendor, use their termination recommendation. Please consult with the vendor of the driver component to confirm the driver termination requirements.

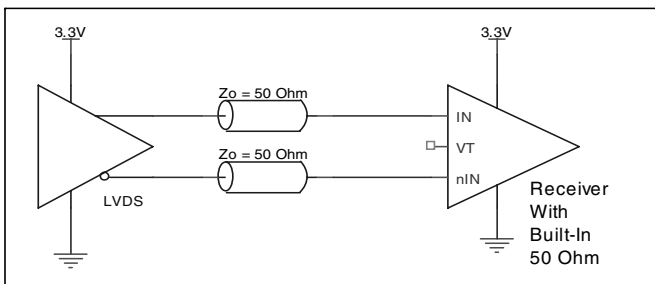


FIGURE 2A. HiPerClockS IN/nIN INPUT WITH BUILT-IN 50Ω DRIVEN BY AN LVDS DRIVER

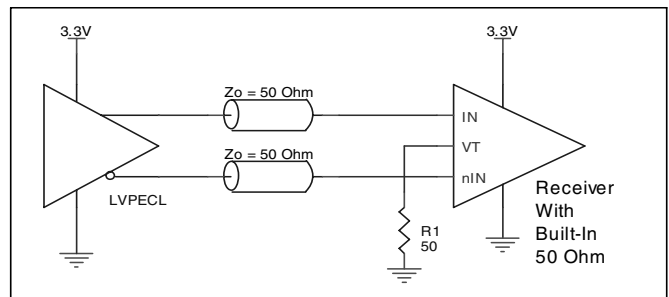


FIGURE 2B. HiPerClockS IN/nIN INPUT WITH BUILT-IN 50Ω DRIVEN BY AN LVPECL DRIVER

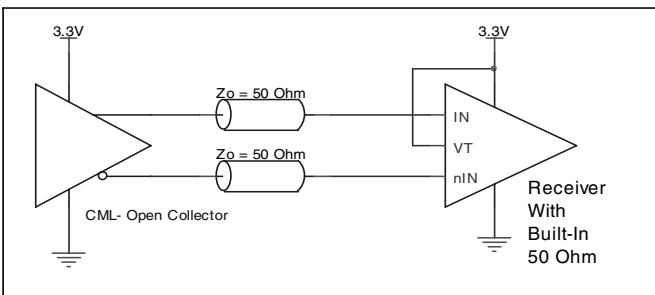


FIGURE 2C. HiPerClockS IN/nIN INPUT WITH BUILT-IN 50Ω DRIVEN BY A CML DRIVER WITH OPEN COLLECTOR

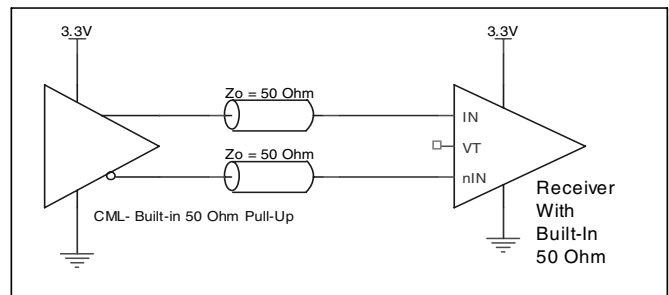


FIGURE 2D. HiPerClockS IN/nIN INPUT WITH BUILT-IN 50Ω DRIVEN BY A CML DRIVER WITH BUILT-IN 50Ω PULLUP

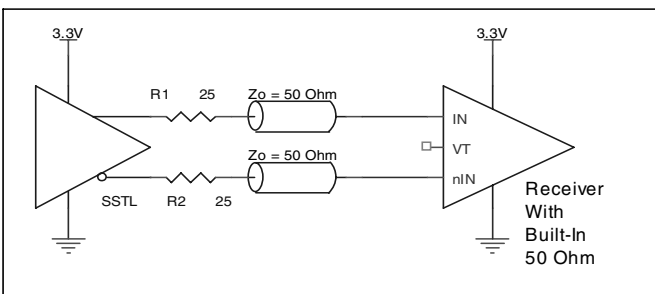


FIGURE 2E. HiPerClockS IN/nIN INPUT WITH BUILT-IN 50Ω DRIVEN BY AN SSTL DRIVER



2.5V LVPECL Input with Built-In 50Ω Terminations Interface

The IN /nIN with built-in 50Ω terminations accepts LVDS, LVPECL, LVHSTL, CML, SSTL and other differential signals. Both V_{SWING} and V_{OH} must meet the V_{PP} and V_{CMR} input requirements. Figures 3A to 3E show interface examples for the HiPerClockS IN/nIN input with built-in 50Ω terminations

driven by the most common driver types. The input interfaces suggested here are examples only. If the driver is from another vendor, use their termination recommendation. Please consult with the vendor of the driver component to confirm the driver termination requirements.

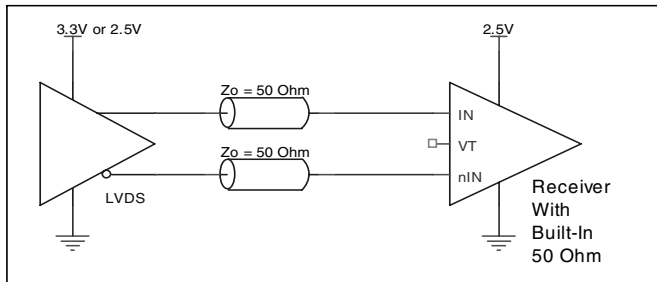


FIGURE 3A. HiPerClockS IN/nIN INPUT WITH BUILT-IN 50Ω DRIVEN BY AN LVDS DRIVER

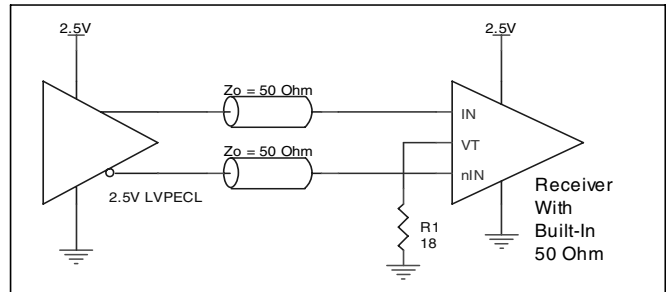


FIGURE 3B. HiPerClockS IN/nIN INPUT WITH BUILT-IN 50Ω DRIVEN BY AN LVPECL DRIVER

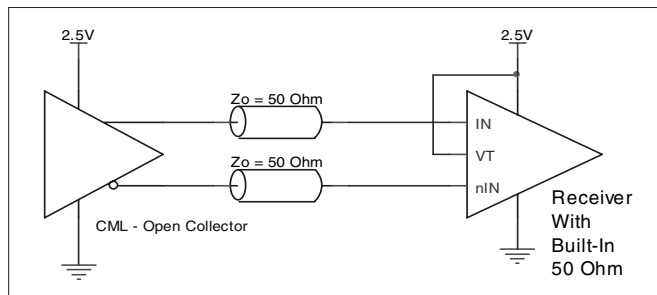


FIGURE 3C. HiPerClockS IN/nIN INPUT WITH BUILT-IN 50Ω DRIVEN BY AN OPEN COLLECTOR CML DRIVER

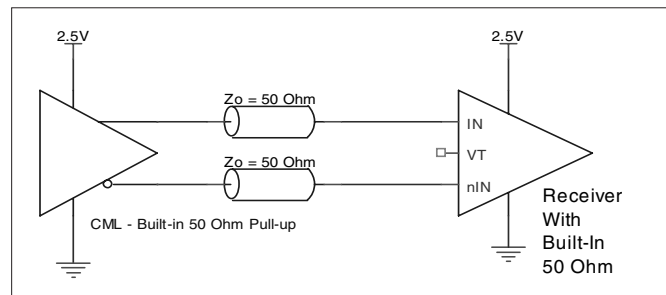


FIGURE 3D. HiPerClockS IN/nIN INPUT WITH BUILT-IN 50Ω DRIVEN BY A CML DRIVER WITH BUILT-IN 50Ω PULLUP

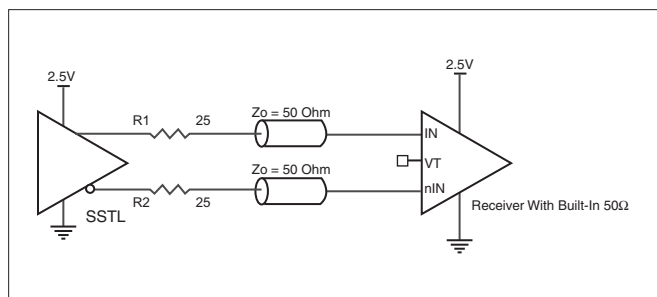


FIGURE 3E. HiPerClockS IN/nIN INPUT WITH BUILT-IN 50Ω DRIVEN BY AN SSTL DRIVER



3.3V DIFFERENTIAL INPUT WITH BUILT-IN 50Ω TERMINATION UNUSED INPUT HANDLING

To prevent oscillation and to reduce noise, it is recommended to have pullup and pulldown connect to true and compliment of the unused input as shown in *Figure 4*.

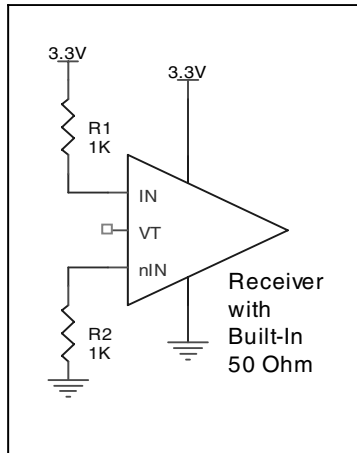


FIGURE 4. UNUSED INPUT HANDLING

2.5V DIFFERENTIAL INPUT WITH BUILT-IN 50Ω TERMINATION UNUSED INPUT HANDLING

To prevent oscillation and to reduce noise, it is recommended to have pullup and pulldown connect to true and compliment of the unused input as shown in *Figure 5*.

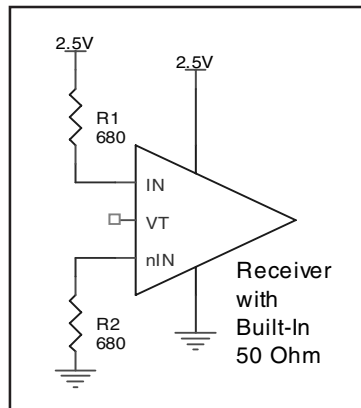


FIGURE 5. UNUSED INPUT HANDLING



RECOMMENDATIONS FOR UNUSED INPUT AND OUTPUT PINS

INPUTS:

LVC MOS CONTROL PINS:

All control pins have internal pull-ups or pull-downs; additional resistance is not required but can be added for additional protection. A 1kΩ resistor can be used.

OUTPUTS:

LVPECL OUTPUT

All unused LVPECL outputs can be left floating. We recommend that there is no trace attached. Both sides of the differential output pair should either be left floating or terminated.

TERMINATION FOR 3.3V LVPECL OUTPUTS

The clock layout topology shown below is a typical termination for LVPECL outputs. The two different layouts mentioned are recommended only as guidelines.

FOUT and nFOUT are low impedance follower outputs that generate ECL/LVPECL compatible outputs. Therefore, terminating resistors (DC current path to ground) or current sources must be used for functionality. These outputs are designed to drive 50Ω transmission lines. Matched imped-

ance techniques should be used to maximize operating frequency and minimize signal distortion. *Figures 6A and 6B* show two different layouts which are recommended only as guidelines. Other suitable clock layouts may exist and it would be recommended that the board designers simulate to guarantee compatibility across all printed circuit and clock component process variations.

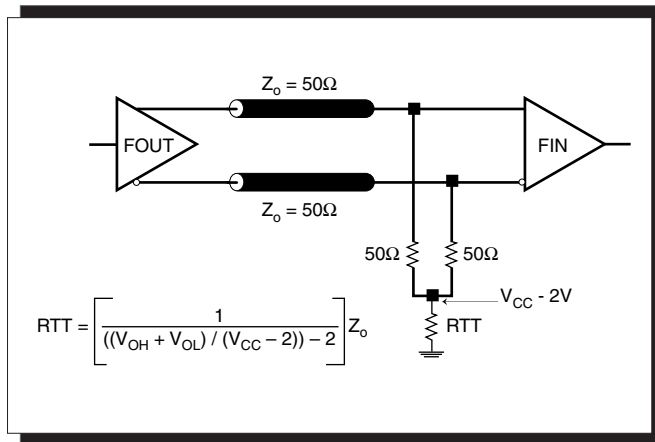


FIGURE 6A. LVPECL OUTPUT TERMINATION

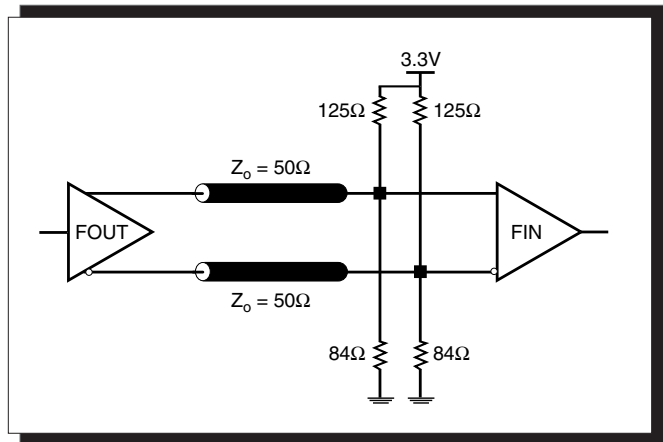


FIGURE 6B. LVPECL OUTPUT TERMINATION



TERMINATION FOR 2.5V LVPECL OUTPUT

Figure 7A and Figure 7B show examples of termination for 2.5V LVPECL driver. These terminations are equivalent to terminating 50Ω to $V_{CC} - 2V$. For $V_{CC} = 2.5V$, the $V_{CC} - 2V$ is very

close to ground level. The R3 in Figure 7B can be eliminated and the termination is shown in Figure 7C.

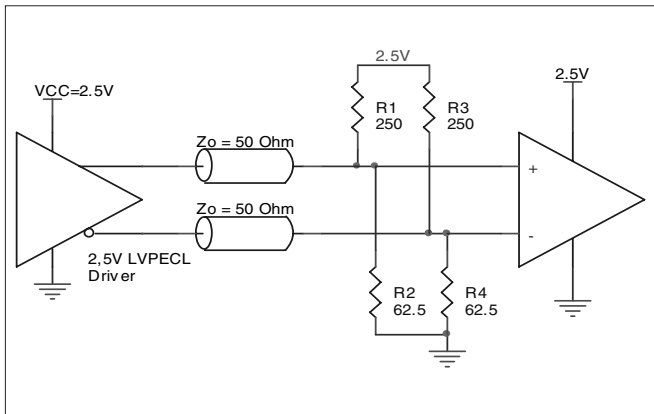


FIGURE 7A. 2.5V LVPECL DRIVER TERMINATION EXAMPLE

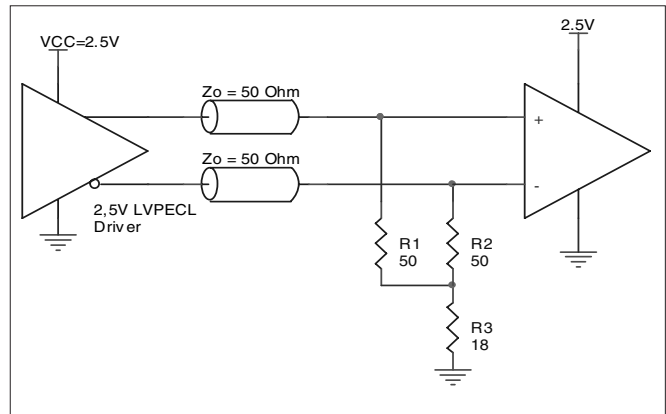


FIGURE 7B. 2.5V LVPECL DRIVER TERMINATION EXAMPLE

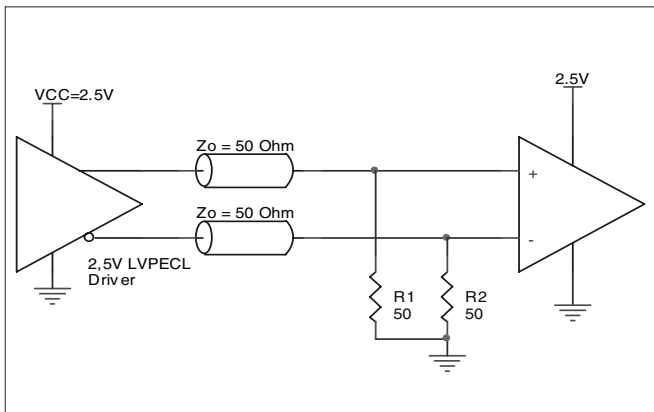


FIGURE 7C. 2.5V LVPECL TERMINATION EXAMPLE



Integrated
Circuit
Systems, Inc.

PRELIMINARY

ICS889874

1:2

DIFFERENTIAL-TO-LVPECL BUFFER/DIVIDER

RELIABILITY INFORMATION

TABLE 7. θ_{JA} vs. AIR FLOW TABLE FOR 16 LEAD VFQFN

θ_{JA} 0 Air Flow (Linear Feet per Minute)	
Multi-Layer PCB, JEDEC Standard Test Boards	51.5°C/W

TRANSISTOR COUNT

The transistor count for ICS889874 is: 326

Pin compatible with SY89874U



PACKAGE OUTLINE - K SUFFIX FOR 16 LEAD VFQFN

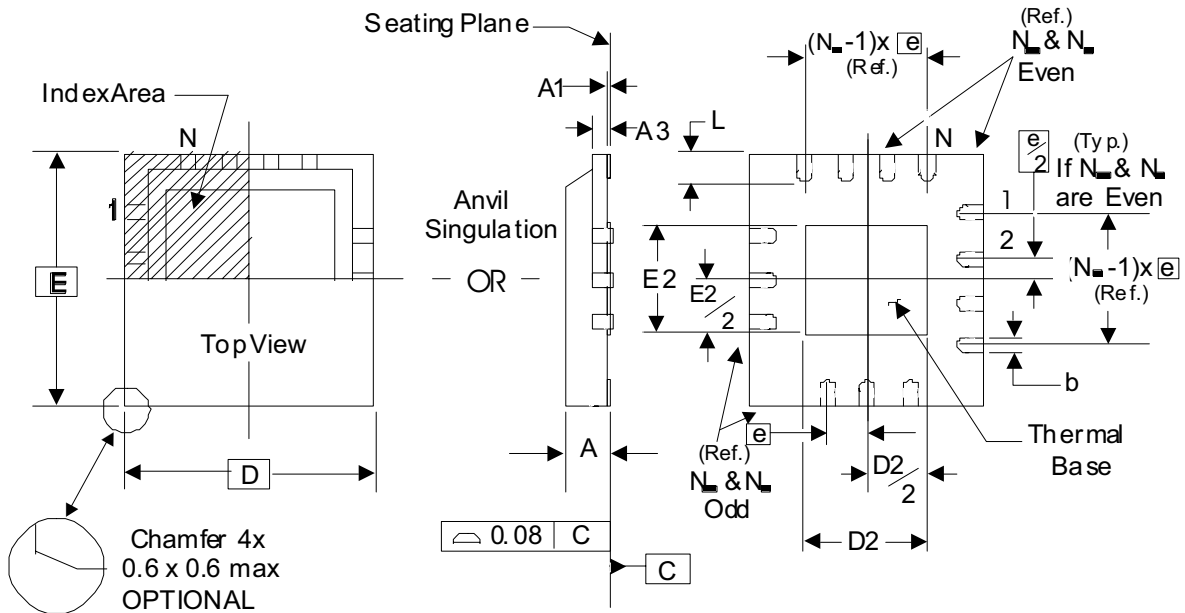


TABLE 8. PACKAGE DIMENSIONS

JEDEC VARIATION ALL DIMENSIONS IN MILLIMETERS		
SYMBOL	MINIMUM	MAXIMUM
N	16	
A	0.80	1.0
A1	0	0.05
A3	0.25 Reference	
b	0.18	0.30
e	0.50 BASIC	
N_D	4	
N_E	4	
D	3.0	
D2	0.25	1.25
E	3.0	
E2	0.25	1.25
L	0.30	0.50

Reference Document: JEDEC Publication 95, MO-220



Integrated
Circuit
Systems, Inc.

PRELIMINARY

ICS889874

1:2

DIFFERENTIAL-TO-LVPECL BUFFER/DIVIDER

TABLE 9. ORDERING INFORMATION

Part/Order Number	Marking	Package	Shipping Packaging	Temperature
ICS889874AK	874A	16 Lead VFQFN	tube	-40°C to 85°C
ICS889874AKT	874A	16 Lead VFQFN	2500 tape & reel	-40°C to 85°C
ICS889874AKLF	TBD	16 Lead "Lead-Free" VFQFN	tube	-40°C to 85°C
ICS889874AKLFT	TBD	16 Lead "Lead-Free" VFQFN	2500 tape & reel	-40°C to 85°C

NOTE: Parts that are ordered with an "LF" suffix to the part number are the Pb-Free configuration and are RoHS compliant.

The aforementioned trademark, HiPerClockS is a trademark of Integrated Circuit Systems, Inc. or its subsidiaries in the United States and/or other countries. While the information presented herein has been checked for both accuracy and reliability, Integrated Circuit Systems, Incorporated (ICS) assumes no responsibility for either its use or for infringement of any patents or other rights of third parties, which would result from its use. No other circuits, patents, or licenses are implied. This product is intended for use in normal commercial and industrial applications. Any other applications such as those requiring high reliability or other extraordinary environmental requirements are not recommended without additional processing by ICS. ICS reserves the right to change any circuitry or specifications without notice. ICS does not authorize or warrant any ICS product for use in life support devices or critical medical instruments.