

## 2.5V/3.3V 500MHz Low Skew 1-to-10 Differential to LVPECL Fanout Buffer with 2 to 1 Differential Clock Input Mux

### Features

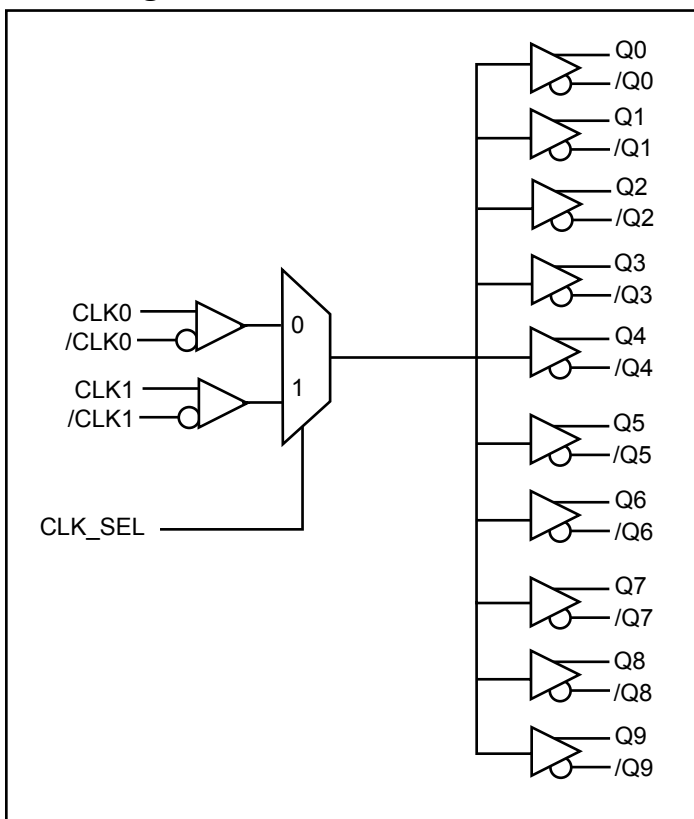
- Pin-to-pin compatible to ICS853111-02
- $F_{MAX} < 500\text{MHz}$
- 10 pairs of differential LVPECL outputs
- Selectable differential input pairs with single ended input option
- Input CLK accepts: LVPECL, LVDS, CML, SSTL input level
- Output skew: 35ps (typ)
- Operating Temperature:  $-40^{\circ}\text{C}$  to  $85^{\circ}\text{C}$
- Core Power supply:  $3.3\text{V} \pm 10\%$ ,  
Output Power supply:  $2.5\text{V} \pm 5\%$  &  $3.3\text{V} \pm 10\%$
- Packaging (Pb-free & Green):  
— 32-pin TQFP (FA)

### Description

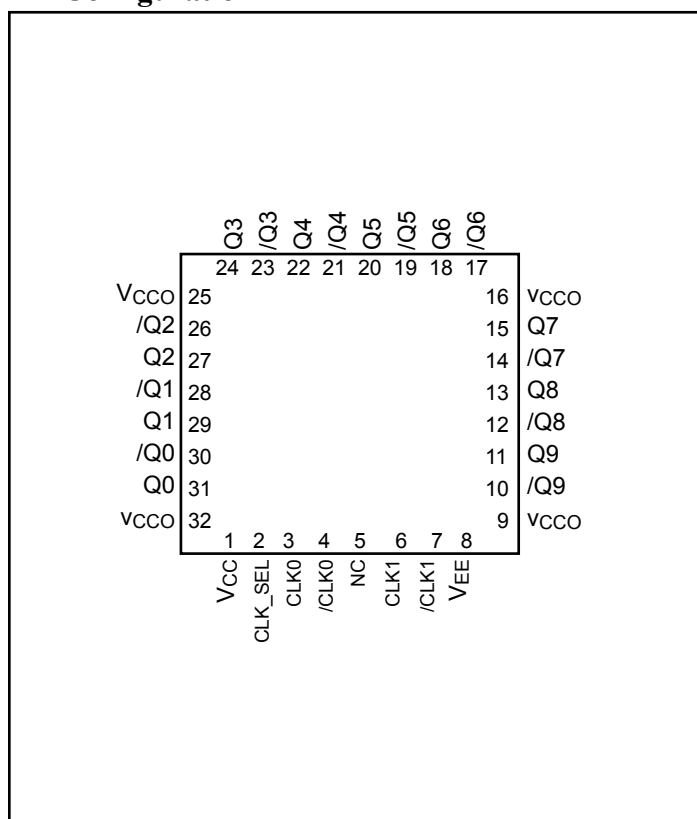
The PI6C4853111 is a high-performance low-skew 1-to-10 LVPECL fanout buffer. The PI6C4853111 features two selectable differential clock inputs and translates to ten LVPECL outputs. The CLK inputs accept LVPECL, LVDS, CML and SSTL signals.

PI6C4853111 is ideal for clock distribution applications demanding performance and repeatability.

### Block Diagram



### Pin Configuration



### Pin Description<sup>(1)</sup>

Name	Pin #	Type	Description
V <sub>EE</sub>	8	P	Connect to negative power supply
CLK_SEL	2	I	Clock select input. When high, selects CLK1 input. When low, selects CLK0 input. LVCMOS/LVTTL level with 50kΩ pull down.
CLK0	3	I	Differential LVPECL clock input with 75kΩ pull-down
/CLK0	4	I	Inverting differential LVPECL clock input. Defaults to V <sub>CC</sub> /2 if left floating.
CLK1	6	I	Differential LVPECL clock input with 75kΩ pull-down
/CLK1	7	I	Inverting differential LVPECL clock input. Defaults to V <sub>CC</sub> /2 if left floating.
NC	5		No Connect
V <sub>CCO</sub>	9,16, 25,32	P	Output Power pin
V <sub>CC</sub>	1	P	Core Power Supply
Q3, /Q3	24,23	O	Differential output pair, LVPECL interface level.
Q2, /Q2	27,26	O	Differential output pair, LVPECL interface level.
Q1, /Q1	29,28	O	Differential output pair, LVPECL interface level.
Q0, /Q0	31,30	O	Differential output pair, LVPECL interface level.
Q9, /Q9	11,10	O	Differential output pair, LVPECL interface level.
Q8, /Q8	13,12	O	Differential output pair, LVPECL interface level.
Q7, /Q7	15,14	O	Differential output pair, LVPECL interface level.
Q6, /Q6	18,17	O	Differential output pair, LVPECL interface level.
Q5, /Q5	20,19	O	Differential output pair, LVPECL interface level.
Q4, /Q4	22,21	O	Differential output pair, LVPECL interface level.

**Note:**

1. I = Input, O = Output, P = Power supply connection.

### Pin Characteristics

Symbol	Parameter	Conditions	Min.	Typ.	Max.	Units
R	Input Pullup/Pulldown Resistance			50		kΩ

### Control Input Function Table

Inputs	Outputs
0	CLK0
1	CLK1

**Absolute Maximum Ratings<sup>(1)</sup>**

Symbol	Parameter	Conditions	Min	Typ	Max	Units
V <sub>CC</sub>	Supply voltage	Referenced to GND			4.6	V
V <sub>IN</sub>	Input voltage	Referenced to GND	-0.5		V <sub>CC</sub> +0.5V	V
I <sub>OUT</sub>	Surge Current				100	mA
T <sub>STG</sub>	Storage temperature		-65		150	°C
V <sub>BB</sub>	Smk/source Current, I <sub>BB</sub>		-0.5		+0.5	mA
Θ <sub>jA</sub>	Package Thermal Resistance				86	°C/Watt
Θ <sub>jC</sub>	Package Thermal Resistance				12.7	°C/Watt

**Note:**

- Stresses above those listed under "Absolute Maximum Ratings" may cause permanent damage to the device. These ratings are stress specifications only and correct functional operation of the device at these or any other conditions above those listed in the operational sections of the specifications is not implied. Exposure to absolute maximum rating conditions for extended periods may affect product reliability.

**Operating Conditions**

Symbol	Parameter	Conditions	Min	Typ	Max	Units
V <sub>CC</sub>	Power Supply Voltage		3.0		3.6	V
V <sub>CCO</sub>	Output Power Supply Voltage		2.375		3.6	V
T <sub>A</sub>	Ambient Temperature		-40		85	°C

**LVC MOS/LVTTL DC Characteristics** (T<sub>A</sub> = -40°C to +85°C, V<sub>CC</sub> = 3.3V ±5%, V<sub>CCO</sub> = 2.5V ±5% to 3.3V ±10%)

Symbol	Parameter		Conditions	Min	Typ	Max	Units
V <sub>IH</sub>	Input High Voltage	CLK_SEL		2		V <sub>CC</sub> +0.3	V
V <sub>IL</sub>	Input Low Voltage	CLK_SEL		-0.3		0.8	
I <sub>IH</sub>	Input High Current	CLK_SEL	V <sub>IN</sub> = V <sub>CC</sub> = 3.6V			150	μA
I <sub>IL</sub>	Input Low Current	CLK_SEL	V <sub>IN</sub> = 0V, V <sub>CC</sub> = 3.6V	-5			μA

**LVPECL DC Characteristics** ( $T_A = -40^{\circ}\text{C}$  to  $+85^{\circ}\text{C}$ ,  $V_{CC} = 3.3\text{V} \pm 10\%$ ,  $V_{CCO} = 2.5\text{V} \pm 5\%$  to  $3.3\text{V} \pm 10\%$ )

Symbol	Parameter	Conditions	Min	Typ	Max	Units
$I_{IH}$	Input High Current	CLK0, CLK1	$V_{IN} = V_{CC} = 3.6\text{V}$		150	$\mu\text{A}$
		/CLK0, /CLK1	$V_{IN} = V_{CC} = 3.6\text{V}$		150	$\mu\text{A}$
$I_{IL}$	Input Low Current	CLK0, CLK1	$V_{CC} = 3.6\text{V}, V_{IN} = 0\text{V}$	-5		$\mu\text{A}$
		/CLK0, /CLK1	$V_{CC} = 3.6\text{V}, V_{IN} = 0\text{V}$	-150		$\mu\text{A}$
$V_{PP}$	Peak-to-peak Voltage		0.3		1	V
$V_{CMR}$	Common Mode Input Voltage <sup>(1)</sup>		$V_{EE}+1.5$		$V_{CC}$	V
$V_{OH}$	Output High Voltage <sup>(2)</sup>	$V_{CCO}=2.5\text{V}$ or $3.3\text{V}$	$V_{CCO}-1.4$		$V_{CCO}-0.9$	V
$V_{OL}$	Output Low Voltage <sup>(2)</sup>	$V_{CCO}=2.5\text{V}$ or $3.3\text{V}$	$V_{CCO}-2.0$		$V_{CCO}-1.7$	V
$V_{SWING}$	Peak-to-peak Output Voltage Swing		0.6		1.0	V
$I_{EE}$	Power Supply Current	@ 400 MHz		120	140	mA

**Notes:**

- For single-ended applications, the maximum input voltage for CLK and /CLK is  $V_{CC}+0.3\text{V}$
- Outputs terminated with  $50\Omega$  to  $V_{CC}-2.0\text{V}$

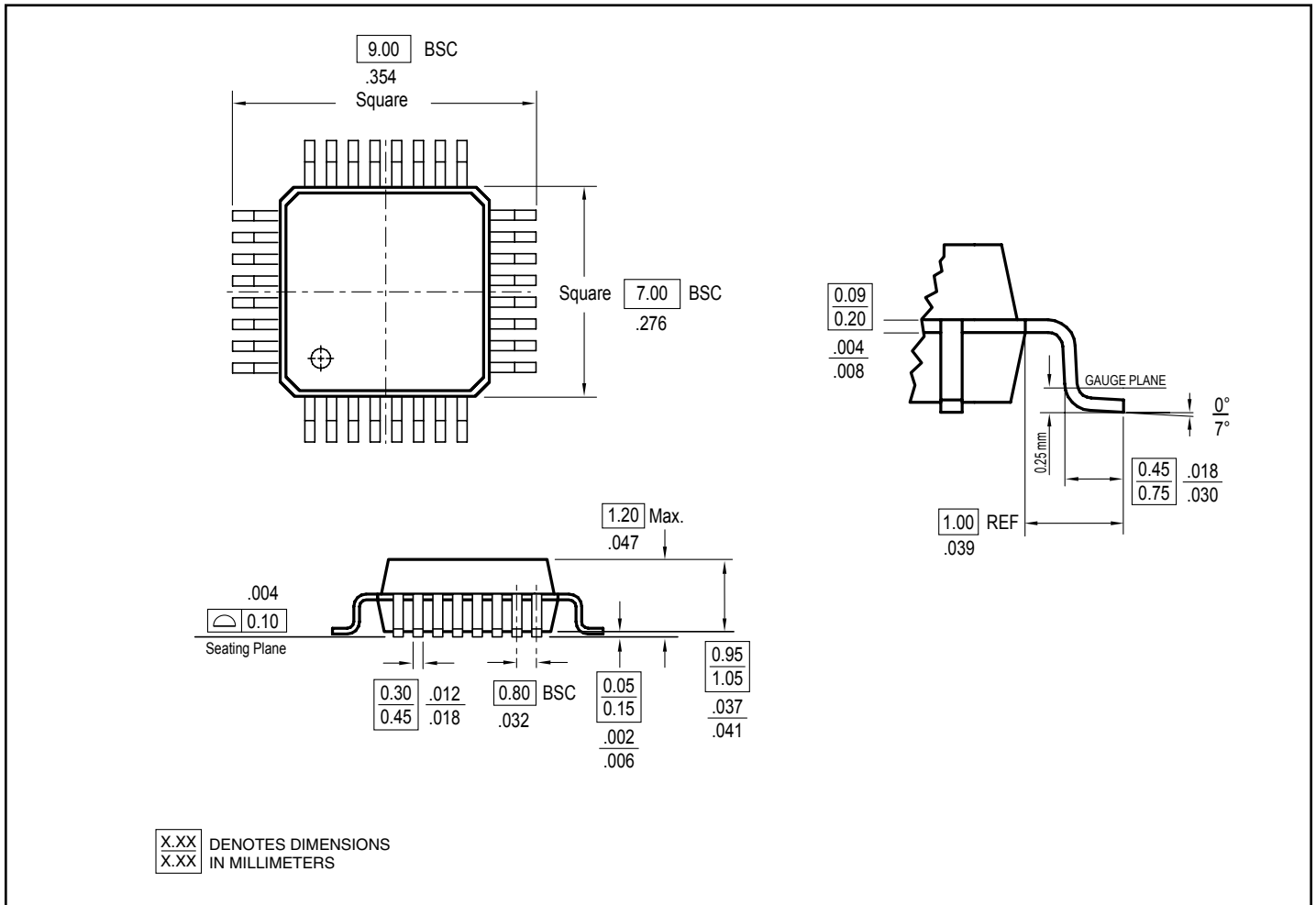
**AC Characteristics** ( $T_A = -40^{\circ}\text{C}$  to  $+85^{\circ}\text{C}$ ,  $V_{CC} = 3.3\text{V} \pm 10\%$ ,  $V_{CCO} = 2.5\text{V} \pm 5\%$  to  $3.3\text{V} \pm 10\%$ )

Symbol	Parameter	Conditions	Min	Typ	Max	Units
$f_{max}$	Output Frequency				500	MHz
$t_{pd}$	Propagation Delay <sup>(1)</sup>				4	ns
$T_{sk}$	Output-to-output Skew <sup>(2)</sup>			35	60	ps
$t_r/t_f$	Output Rise/Fall time	20% - 80%	150		700	ps
odc	Output duty cycle	$f \leq 400\text{ MHz}$	45		55	%

**Notes:**

- Measured from the differential input to the differential output crossing point
- Defined as skew between outputs at the same supply voltage and with equal loads. Measured at the output differential crossing point

**Packaging Mechanical: 32-pin TQFP (FA)**



**Ordering Information(1,2,3)**

Ordering Code	Package Code	Package Description
PI6C4853111FAE	FA	Pb-free & Green, 32-pin TQFP

**Notes:**

1. Thermal characteristics can be found on the company web site at [www.pericom.com/packaging/](http://www.pericom.com/packaging/)
2. E = Pb-free & Green
3. X suffix = Tape/Reel