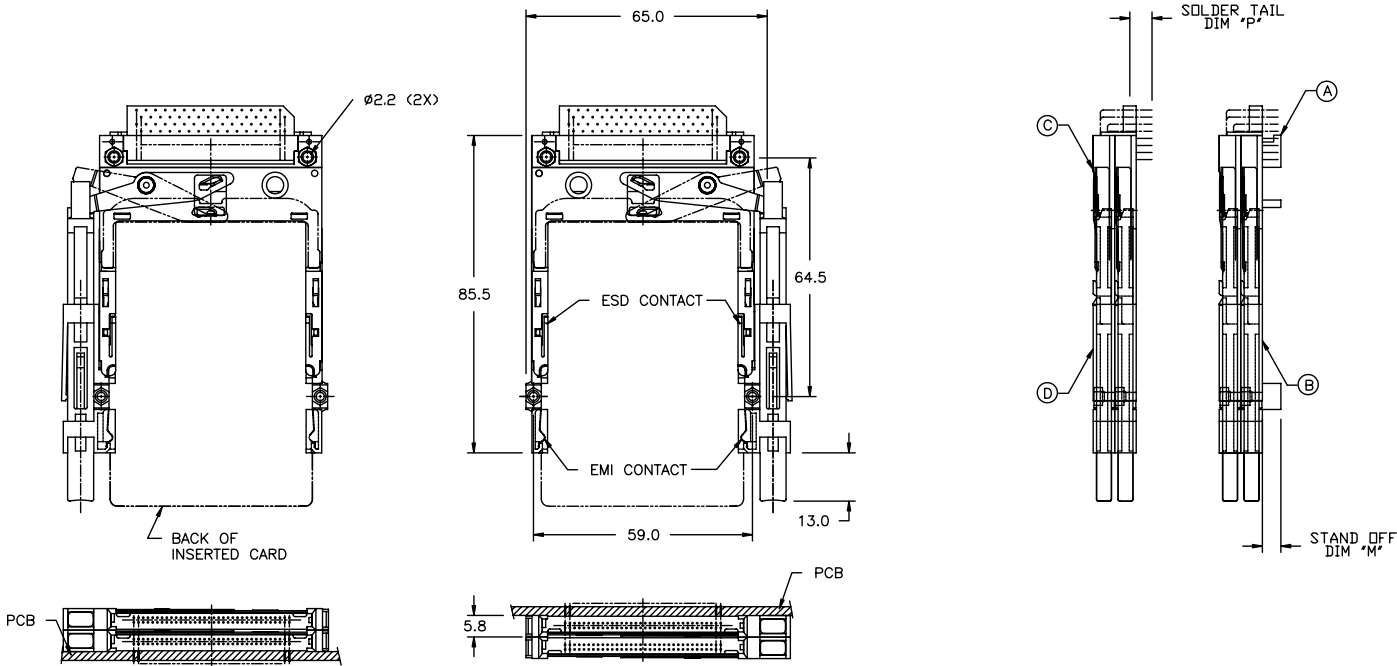


Tous droits strictement réservés. Reproduction ou communication a des tiers interdite sous quelque forme que ce soit sans autorisation écrite du propriétaire. Propriété de © BERG ELECTRONICS. Droits de reproduction BERG ELECTRONICS INC.

All rights strictly reserved. Reproduction or issue to third parties in any form whatever is not permitted without written authority from the proprietor. Property of © BERG ELECTRONICS. Copyright BERG ELECTRONICS INC.

PCMCIA COMPONENTS:
DOUBLE DECK ASSEMBLY
EXTENDED TRAVEL (8mm CARD EJECT) MECHANISM



LEFT PUSH ROD
RT. ANGLE SOLDER TAIL
ABOVE PCB
P/N: 74919-300CA
P/N: 74919-300CALF

RIGHT PUSH ROD
RT. ANGLE SOLDER TAIL
BELOW PCB
P/N: 74919-700CA
P/N: 74919-700CALF

mat'l. code				tolerances unless otherwise specified		CUSTOMER COPY		FCI	
ltr	ecn no	dr	date	linear	.X ±.3	projection	title	www.fciconnect.com	
A	V80794	RHG	7/28/98		.XX ±.13		68 POS EJECT HEADER ASSY		
B	V81799	CGC	10/27/98		.XXX ±.051			product family	MCS
C	N05-0198	WB	07/05/05	angles	0° ±2°		size		sheet
				dr	R.GRAPE 7/28/98	scale	A4	74919	1 of 3
				engr	D.BRANN 7/28/98	1/1			
				chr	D.BRANN 7/28/98				
				appd	D.BRANN 7/28/98				
sheet index	revision sheet	C	C	C					
		1	2	3					

