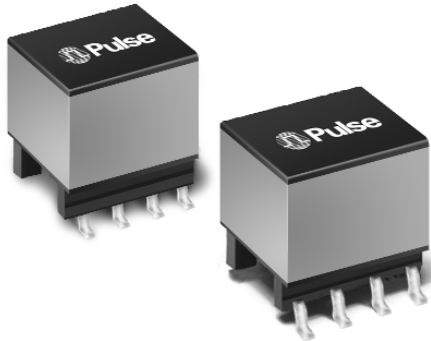





ADSL LINE TRANSFORMER

For Broadcom Bladerunner CO Chipset



-  Approved by Broadcom for use with Bladerunner Central Office BCM6410 and BCM6420 chipsets
-  ADSL/POTS and ADSL/ISDN options available for Broadcom approved Line Drivers
-  Compact footprint for high density Central Office board layouts

Electrical Specifications @ 25°C — Operating Temperature -40°C to 85°C

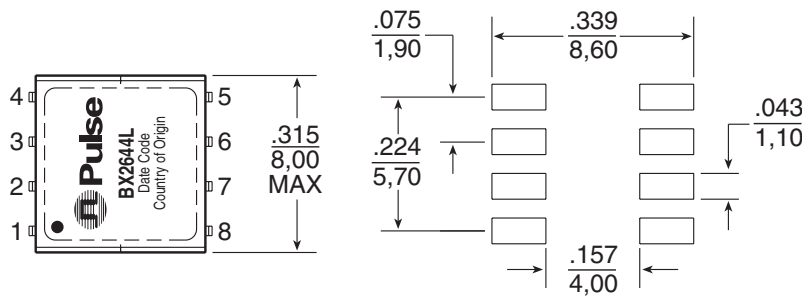
Part Number ¹	Turns Ratio (Line:Chip)	OCL Line (μH ±5%)	Isolation Voltage (Vrms)	THD (dB MIN)
BX2303WA	1.4:1	100	1500	-80
BX2302WA	1.4:1	410	1500	-80
BX2619W	1.2:1	430	1500	-80
BX2644L	1.2:1	420	1500	-80

¹ Transformers are shipped in trays, unless Tape & Reel packaging is specified by adding the suffix "T" to this part number (BX2303WAT)

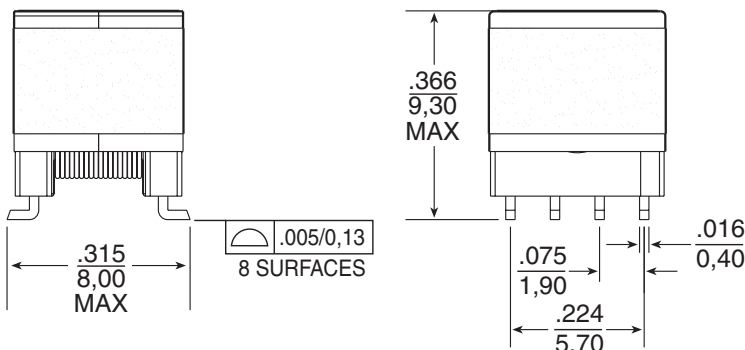
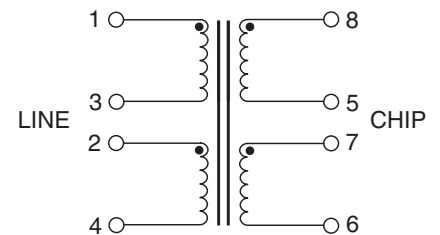
Mechanical

Schematic

BX2644L



SUGGESTED PAD LAYOUT



Weight 1.4 grams
Tape & Reel350/reel
Tray 100/tray

Dimensions: $\frac{\text{Inches}}{\text{mm}}$

Unless otherwise specified, all tolerances are $\pm \frac{.004}{0,10}$

ADSL LINE TRANSFORMER

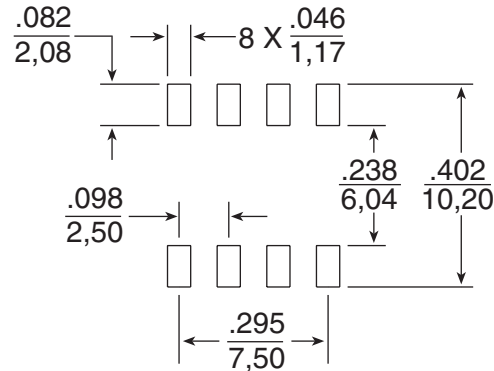
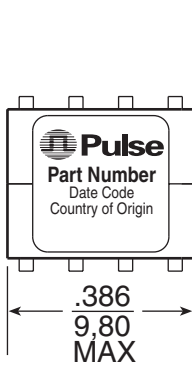
For Broadcom Bladerunner CO Chipset



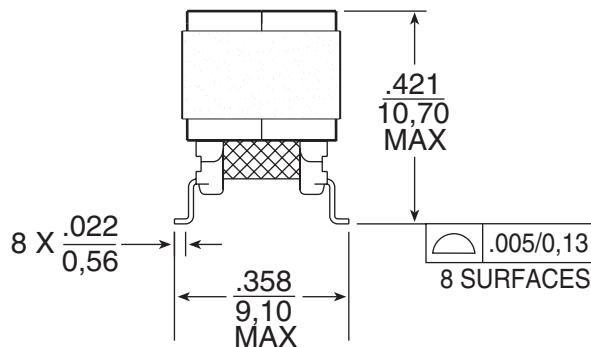
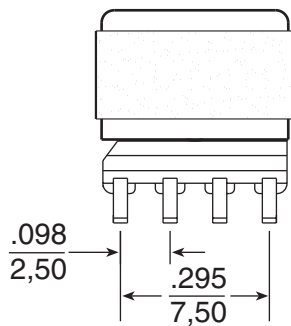
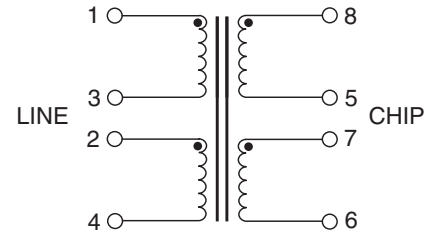
Mechanical

Schematic

BX2303WA / BX2302WA / BX2619W



SUGGESTED PAD LAYOUT



Weight 2.2 grams
Tape & Reel300/reel
Tray95/tray

Dimensions: $\frac{\text{Inches}}{\text{mm}}$
 Unless otherwise specified, all tolerances are $\pm \frac{.010}{0,25}$

For More Information:

Pulse Worldwide Headquarters

12220 World Trade Dr.
 San Diego, CA 92128
 U.S.A.

www.pulseeng.com

TEL: 858 674 8100

FAX: 858 674 8262

Pulse Europe

Einsteinstrasse 1
 D-71083 Herrenberg
 Germany

Tel: 49 7032 7806 116

Fax: 49 7032 7806 135

Pulse China Headquarters

No. 1
 Industrial District
 Changan, Dongguan
 China

Tel: 86 769 85538070

Fax: 86 769 85538870

Pulse North China

Room 1503
 XinYin Building
 No. 888 YiShan Rd.
 Shanghai 200233
 China

Tel: 86 21 54643211/2

Fax: 86 21 54643210

Pulse South Asia

150 Kampong Ampat
 #07-01/02
 KA Centre
 Singapore 368324

Tel: 65 6287 8998

Fax: 65 6280 0080

Pulse North Asia

No. 26
 Kao Ching Rd.
 Yang Mei Chen
 Taoyuan Hsien
 Taiwan, R. O. C.

Tel: 886 3 4641811

Fax: 886 3 4641911

Performance warranty of products offered on this data sheet is limited to the parameters specified. Data is subject to change without notice. Other brand and product names mentioned herein may be trademarks or registered trademarks of their respective owners.

© Copyright, 2006. Pulse Engineering, Inc. All rights reserved.

www.pulseeng.com

B811.C (10/06)