

# 10BASE-T LAN MAGNETICS

## Quad Transformer Modules

LM00501

- Transformer turns ratio RX 1 : 1 and TX 1CT : 1.41CT
- Filterless quad, four-port designs with common footprint and pinouts
- Optimized for use with stackable RJ-45 connectors
- Designs utilize standard 40 pin SMD packaging
- Low profile, surface mount packaging rated to 225° C peak IR reflow temperature
- Quad design offers best space, performance and cost efficiency
- Operating temperature 0° to 70° C
- Minimum interwinding breakdown voltage of 1500 Vrms

### ELECTRICAL SPECIFICATIONS AT 25° C

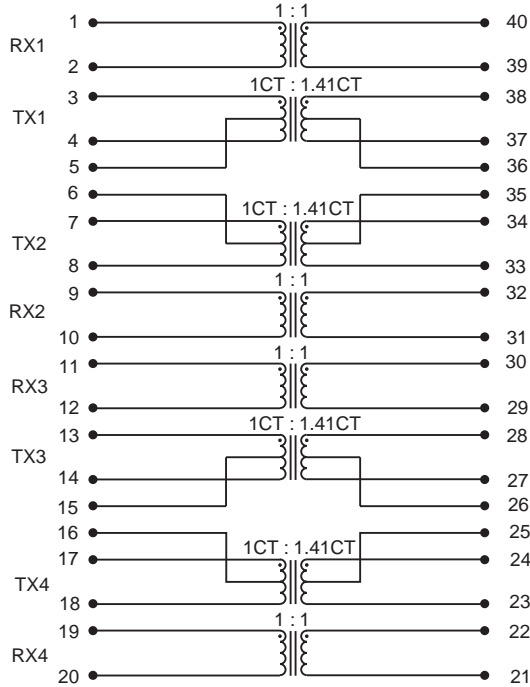
Part Number	OCL Inductance $\mu$ H min	Insertion Loss dB max	Return Loss dB min	Common to Common Mode Rejection dB min		Crosstalk dB min
		1MHz to 10MHz	1MHz to 10MHz	10MHz to 30MHz	100MHz	1MHz to 10MHz
<b>Transformers Only</b>						
S553-2940-02	100	-1.0	-18	---	---	-40
S553-5999-54	100	-1.0	-18	---	---	-40
<b>Transformers and Common Mode Chokes</b>						
S553-2940-01	100	-1.0	-18	-40	-30	-40
S553-2940-03	100	-1.0	-18	-40	-30	-40
S553-2940-04	100	-1.0	-18	-40	-30	-40
S553-2940-08	100	-1.0	-18	-40	-30	-40
S553-2940-09	100	-1.0	-18	-40	-30	-40
S553-5999-38	100	-1.0	-18	-40	-30	-40

©2001 Bel Fuse Inc. Specifications subject to change without notice. 09.01

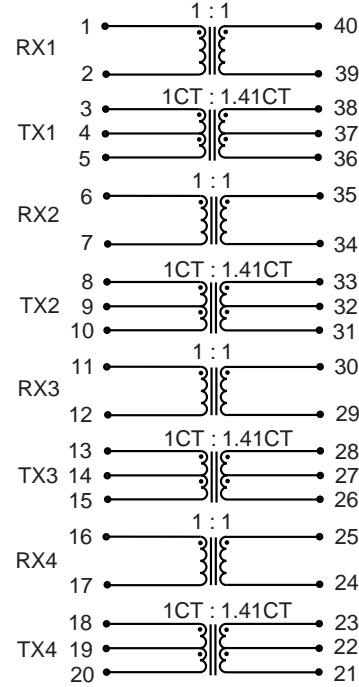
LM00501

### SCHEMATICS

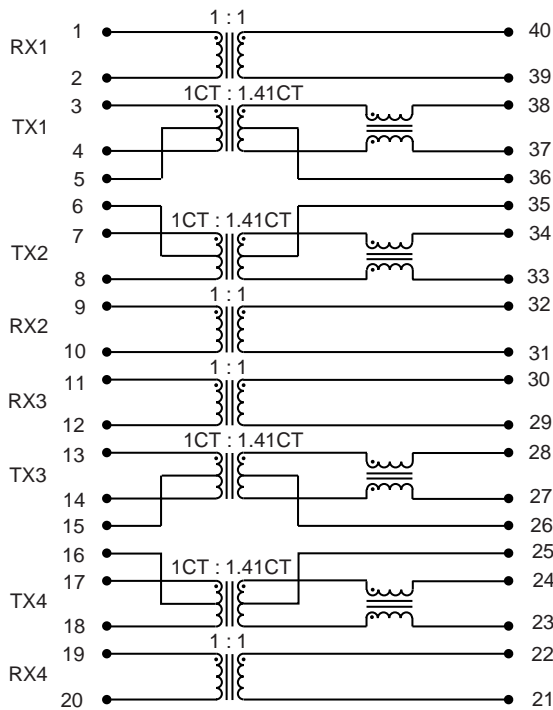
**S553-2940-02**



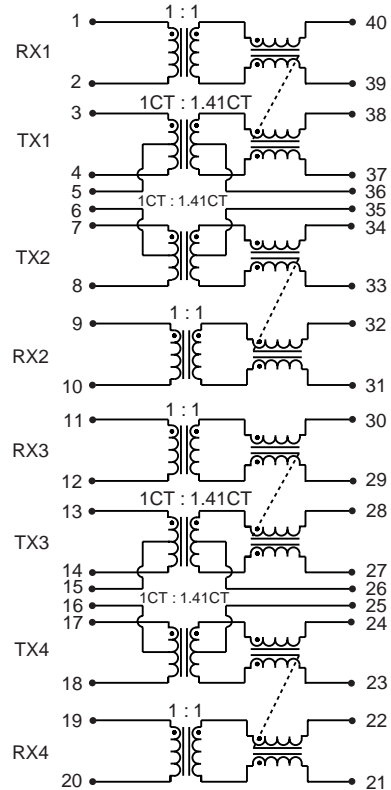
**S553-5999-54**



**S553-2940-01**



**S553-2940-03**



©2001 Bel Fuse Inc. Specifications subject to change without notice. 09.01

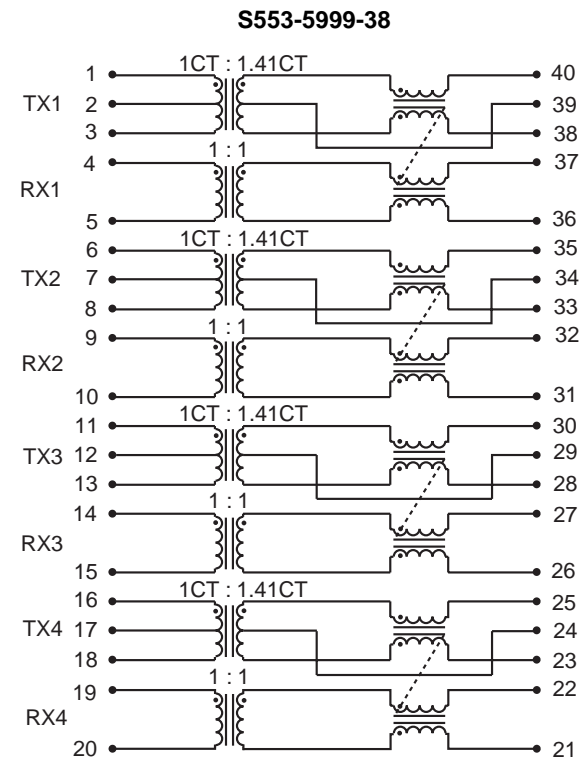
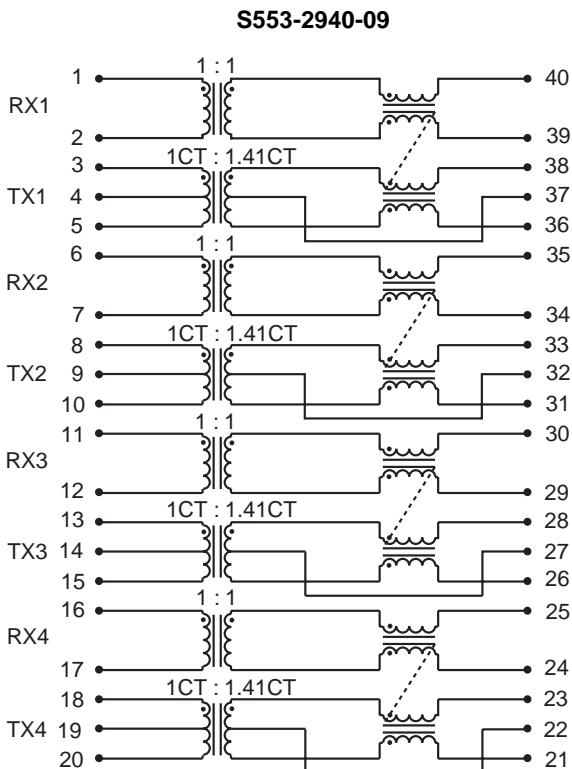
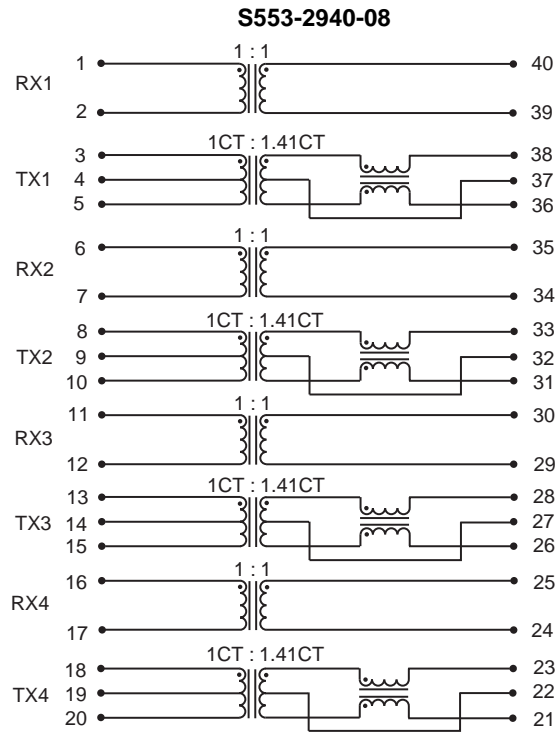
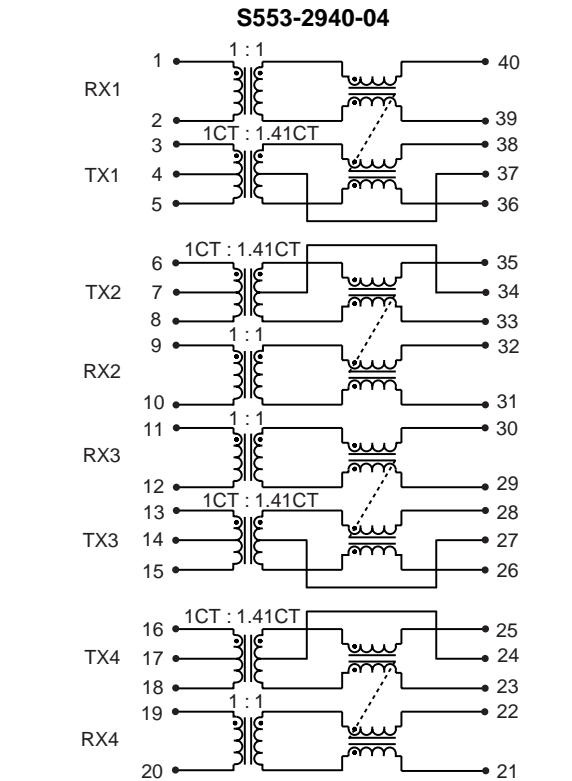
Bel Fuse Inc. 206 Van Vorst Street, Jersey City, NJ 07302 • Tel 201-432-0463 • Fax 201-432-9542 • www.belfuse.com

# 10BASE-T LAN MAGNETICS

## Quad Transformer Modules

LM00501

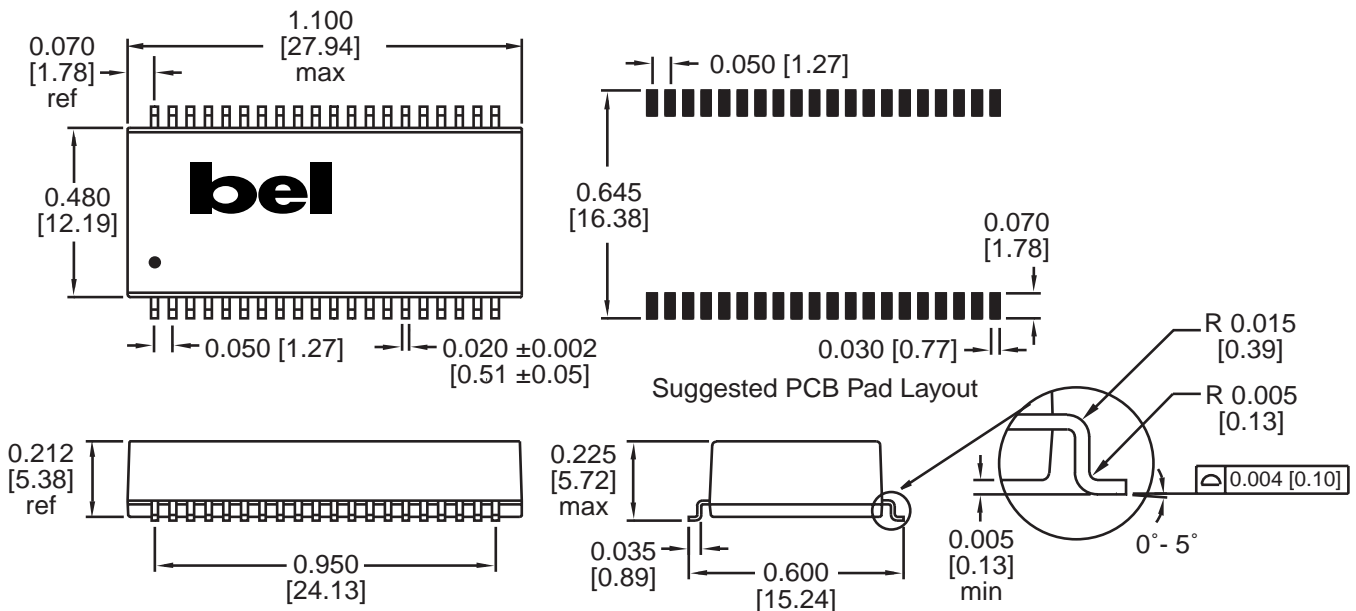
### SCHEMATICS



©2001 Bel Fuse Inc. Specifications subject to change without notice. 09.01

### MECHANICAL

- S553-2940-01
- S553-2940-02
- S553-2940-03
- S553-2940-04
- S553-2940-08
- S553-2940-09
- S553-5999-38
- S553-5999-54



Dimensions are in inches [millimeters].  
Standard dimension tolerance is ±0.005 [0.13] unless otherwise noted.

#### CORPORATE

**Bel Fuse Inc.**  
206 Van Vorst Street  
Jersey City, NJ 07302  
Tel 201-432-0463  
Fax 201-432-9542  
www.belfuse.com

#### FAR EAST

**Bel Fuse Ltd.**  
8F / 8 Luk Hop Street  
San Po Kong  
Kowloon, Hong Kong  
Tel 852-2328-5515  
Fax 852-2352-3706  
www.belfuse.com

#### EUROPE

**Bel Fuse Europe Ltd.**  
Preston Technology Management Centre  
Marsh Lane, Suite G7, Preston  
Lancashire, PR1 8UD, U.K.  
Tel 44-1772-556601  
Fax 44-1772-888366  
www.belfuse.com