

# ISDN MAGNETICS

## U Interface Transformers

TM00203

- Water-soluble flux and total-immersion cleaning compatible
- Qualified per Bellcore TR-TSY-000357-1
- Compatible with various Lucent transceiver ICs
- UL and CSA approved

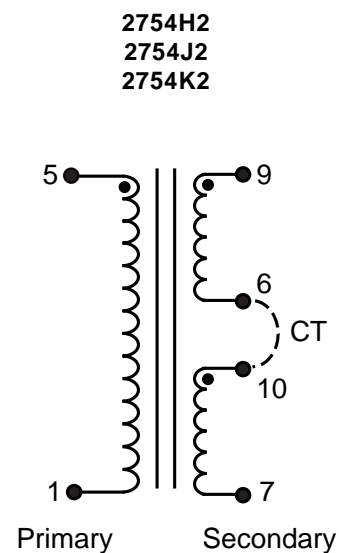
### ELECTRICAL SPECIFICATIONS at 25° C

Part Number	Turns Ratio ± 2%	Secondary Inductance* mH min	Leakage Inductance µH max	DCR Ω		Isolation Vrms min
				Pri	Sec	
2754H2	1.0 : 1.5	77.0	172	5.2 - 5.6	12.35 - 13.55	1000
2754J2	1.0 : 1.5	77.0	172	6.4 - 7.35	11.7 - 13.65	1000
2754K2	1.0 : 1.5	77.0	172	6.1 - 7.4	14.1 - 17.4	1500

\* Measured at 1 kHz, 0.1 Vac

Part Number	Compatible Transceiver ICs	
	IC Mfr	IC Part Number
2754H2	Lucent	T7234 T7237 T7256 T7264
2754J2		
2754K2		

### SCHEMATIC

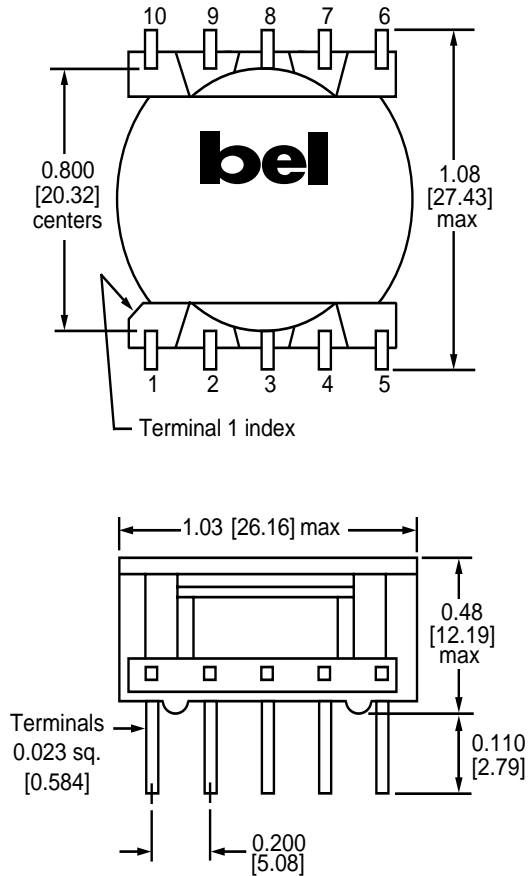


©2001 Bel Fuse Inc. Specifications subject to change without notice. 02.01

Bel Fuse Inc. 198 Van Vorst Street, Jersey City, NJ 07302 • Tel 201-432-0463 • Fax 201-432-9542 • www.belfuse.com

### MECHANICAL

2754H2  
2754J2  
2754K2



Note: Unless otherwise specified, dimensions are nominal and in inches [millimeters].

#### CORPORATE

**Bel Fuse Inc.**  
198 Van Vorst Street  
Jersey City, NJ 07302  
Tel 201-432-0463  
Fax 201-432-9542  
www.belfuse.com

T2-8

#### FAR EAST

**Bel Fuse Ltd.**  
8F / 8 Luk Hop Street  
San Po Kong  
Kowloon, Hong Kong  
Tel 852-2328-5515  
Fax 852-2352-3706  
www.belfuse.com

#### EUROPE

**Bel Fuse Europe Ltd.**  
Preston Technology Management Centre  
Marsh Lane, Suite G7, Preston  
Lancashire, PR1 8UD, U.K.  
Tel 44-1772-556601  
Fax 44-1772-888366  
www.belfuse.com