

Push-Pull Circular Connectors

PRC05 series / PRC07 series

- PRC05 series are miniature size in comparison with PRC03, PRC04 series, also they are our original Push-Pull Locking connectors for quick and easy maing.
- PRC07 series based on PRC05 series feature high density and miniaturization.

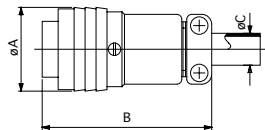
Specifications

Connections	Push-Pull Lock
Termination	Solder
Temperature and Humidity	-25°C to +85°C 85% Max.
Number of Pins	2, 3, 5, 6, 8, 12
Shell Material / Finish	Brass / Nickel
Contact Material / Finish	Copper Alloy / Gold over Nickel

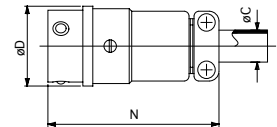
* See [page 28](#) as for Electrical Specifications.



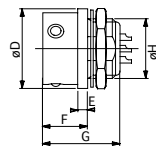
Plug
PRC05-PSF



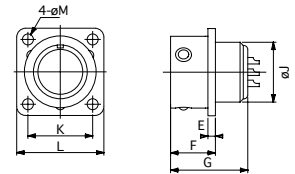
Jack
PRC05-J5M



Bulkhead Mount Receptacle
PRC05-R5M



Flange Mount Receptacle
PRC05-RB5M



Configuration

Insert Size	No. of Pins	Dimensions (mm)												
		A	B	C	D	E	F	G	H	J	K	L	M	N
6	2, 3, 5	13.5	32.0	5.2	13.0	2.0	9.5	18.0	9.0 P=0.5	9.0	11.5	16.0	2.2	32.5
9	6, 8	16.7	34.0	6.2	16.0	2.0	9.5	18.0	12.0 P=0.8	12.0	13.5	18.0	2.2	34.5
12	12	21.0	39.0	11.0	20.0	2.0	9.5	18.0	M16 P=1.0	16.0	17.0	22.5	2.8	39.0

Miniature Circular Connectors

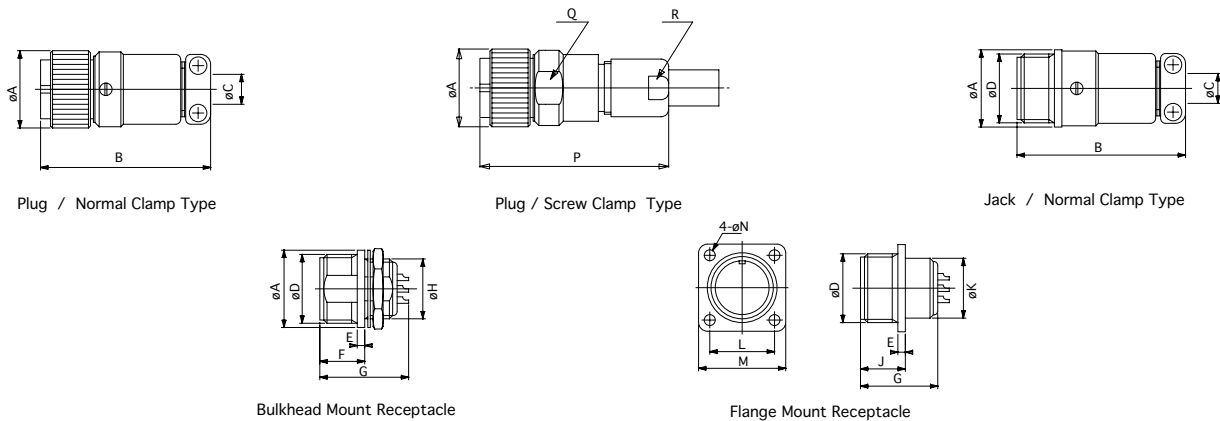
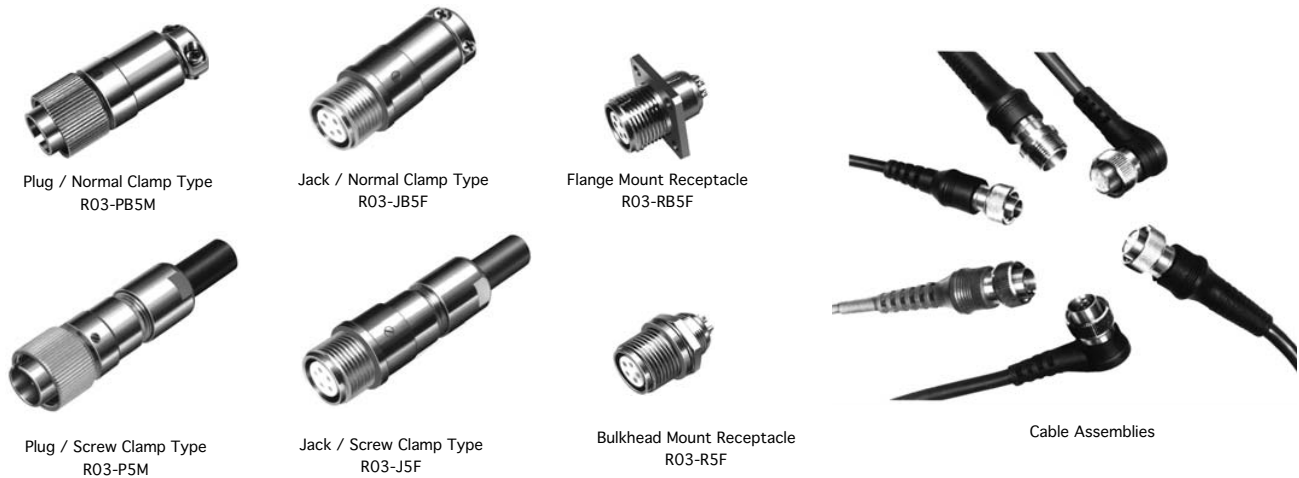
R03 series / R27 series

- R03 series are small circular connectors with screw on system. They are subminiature in size and are suited for a variety of electronic equipment.
- A wide variety of molded cable assemblies are available for your requirement.
- R27 series based on R03 series feature high density and miniaturization.

Specifications

Series	R05	R27
Connections	Screw Coupling	
Termination	Solder	
Temperature and Humidity	-25°C to +85°C 85% Max.	
Number of Pins	2, 3, 5, 6, 8, 12	8, 12
Shell Material / Finish	Brass and Zinc Alloy / Nickel	
Contact Material / Finish	Copper Alloy / Gold over Nickel	
Corrosion Resistance	Salt Spray 5% 48H	

* See page 28 as for Electrical Specifications.



Configuration

Series	Insert size	No. of Pins	Dimensions (mm)															
			A	B	C	D	E	F	G	H	J	K	L	M	N	P	Q	R
R03	6	2, 3, 5	12.0	32.0	5.2	10.5 P=0.75	1.5	9.0	18.0	9.0 P=0.5	9.5	10.5	10.5	15.0	2.2	35.0	10.5	9.5
	9	6, 8	15.5	34.0	6.2	M14 P=1	1.5	9.0	18.0	12.0 P=0.8	9.5	10.5	13.0	17.5	2.2	37.0	13.5	10.5
	12	12	20.0	39.0	10.5	M18 P=1	1.5	9.0	18.0	M16 P=1	9.5	10.5	17.0	22.5	2.8	37.0	13.5	10.5
R27	6	8	12.0	32.0	5.2	10.5 P=0.75	1.5	9.0	18.0	9.0 P=0.5	9.5	10.5	10.5	15.0	2.2	35.0	10.5	9.5
	9	12	15.5	34.0	6.2	M14 P=1	1.5	9.0	18.0	12.0 P=0.8	9.5	10.5	13.0	17.5	2.2	37.0	13.5	10.5