

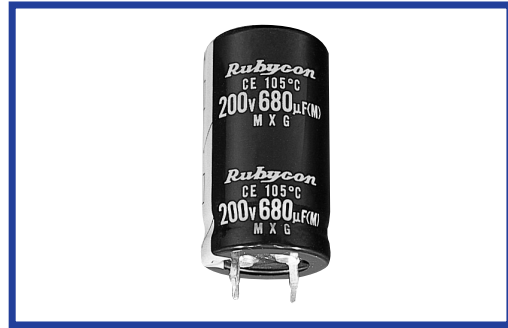
MXG SERIES

UPGRADE

105°C Miniaturized, Snap-in Terminal Type

◆FEATURES

- Load Life : 105°C 3000 hours.(50~100WV:2000hours)
- Smaller size than MXC series.
- RoHS compliance.



◆SPECIFICATIONS

Items	Characteristics																
Category Temperature Range	-40~+105°C	-25~+105°C															
Rated Voltage Range	50~100V.DC	160~500V.DC															
Capacitance Tolerance	±20% (20°C, 120Hz)																
Leakage Current(MAX)	$I=3\sqrt{CV}$ (After 5 minutes application of rated voltage) I=Leakage Current(μA) C=Rated Capacitance(μF) V=Rated Voltage(V)																
(tanδ) Dissipation Factor(MAX)	<table border="1"> <thead> <tr> <th>Rated Voltage (V)</th> <th>50</th> <th>63</th> <th>80~100</th> <th>160~450</th> <th>500</th> </tr> </thead> <tbody> <tr> <td>tanδ</td> <td>0.35</td> <td>0.30</td> <td>0.25</td> <td>0.20</td> <td>0.25</td> </tr> </tbody> </table> (20°C, 120Hz)		Rated Voltage (V)	50	63	80~100	160~450	500	tanδ	0.35	0.30	0.25	0.20	0.25			
Rated Voltage (V)	50	63	80~100	160~450	500												
tanδ	0.35	0.30	0.25	0.20	0.25												
Impedance Ratio(MAX)	<table border="1"> <thead> <tr> <th>Rated Voltage (V)</th> <th>50~100</th> <th>160~250</th> <th>400~450</th> <th>500</th> </tr> </thead> <tbody> <tr> <td>Z(-25°C)/Z(20°C)</td> <td>3</td> <td>4</td> <td>8</td> <td>12</td> </tr> <tr> <td>Z(-40°C)/Z(20°C)</td> <td>12</td> <td>-</td> <td>-</td> <td>-</td> </tr> </tbody> </table> (120Hz)		Rated Voltage (V)	50~100	160~250	400~450	500	Z(-25°C)/Z(20°C)	3	4	8	12	Z(-40°C)/Z(20°C)	12	-	-	-
Rated Voltage (V)	50~100	160~250	400~450	500													
Z(-25°C)/Z(20°C)	3	4	8	12													
Z(-40°C)/Z(20°C)	12	-	-	-													
Endurance	After applying rated voltage with rated ripple current for 3000hrs(50~100WV:2000hrs) at 105°C, the capacitors shall meet the following requirements. <table border="1"> <tbody> <tr> <td>Capacitance Change</td> <td>Within ±20% of the initial value.</td> </tr> <tr> <td>Dissipation Factor</td> <td>Not more than 200% of the specified value.</td> </tr> <tr> <td>Leakage Current</td> <td>Not more than the specified value.</td> </tr> </tbody> </table>		Capacitance Change	Within ±20% of the initial value.	Dissipation Factor	Not more than 200% of the specified value.	Leakage Current	Not more than the specified value.									
Capacitance Change	Within ±20% of the initial value.																
Dissipation Factor	Not more than 200% of the specified value.																
Leakage Current	Not more than the specified value.																

◆MULTIPLIER FOR RIPPLE CURRENT

Frequency coefficient

Frequency (Hz)		60(50)	120	500	1k	10k≤
Coefficient	50~100WV	0.90	1.00	1.05	1.10	1.15
	160~250WV	0.80	1.00	1.20	1.30	1.50
	400~500WV	0.80	1.00	1.20	1.25	1.40

◆PART NUMBER

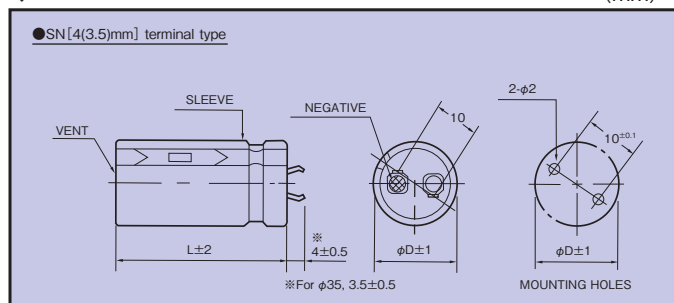
MXG SN D×L
 Rated Voltage Series Rated Capacitance Capacitance Tolerance Option Terminal Code Case Size

◆副記号 / Option

	Code
PET Sleeve without plate	EFC
PVC Sleeve without plate	OOE
PVC Sleeve with plate	Blank

◆DIMENSIONS

(mm)



◆STANDARD SIZE

Cap (μ F)	WV ϕ D	50					63				
		ϕ 20	ϕ 22	ϕ 25	ϕ 30	ϕ 35	ϕ 20	ϕ 22	ϕ 25	ϕ 30	ϕ 35
1500							20x25; 1.47				
1800							20x30; 1.58				
2200		20x25; 1.60					20x35; 1.82				
2700		20x30; 1.73	22x25; 1.73					22x30; 2.11	25x25; 2.11		
3300		20x35; 1.97	22x30; 1.97					22x35; 2.33			
3900		20x40; 2.22	22x35; 2.22	25x25; 2.22				22x40; 2.55	25x30; 2.55	30x25; 2.55	
4700		20x45; 2.43	22x40; 2.43	25x30; 2.43				22x45; 2.97	25x35; 2.97		
5600			22x45; 2.75	25x35; 2.75	30x25; 2.75				25x40; 3.22	30x30; 3.22	35x25; 3.22
6800			22x50; 3.30	25x40; 3.30	30x30; 3.30	35x25; 3.30			25x45; 3.65	30x35; 3.65	35x30; 3.65
8200				25x45; 3.60	30x35; 3.60					30x40; 4.04	35x35; 4.04
10000				25x50; 4.05	30x40; 4.05	35x30; 4.05				30x45; 4.48	35x40; 4.48
12000					30x45; 4.56	35x35; 4.56					35x45; 4.75
15000					30x50; 4.77	35x40; 4.77					35x50; 5.25

Cap (μ F)	WV ϕ D	80					100				
		ϕ 20	ϕ 22	ϕ 25	ϕ 30	ϕ 35	ϕ 20	ϕ 22	ϕ 25	ϕ 30	ϕ 35
680							20x25; 1.15				
820							20x30; 1.32	22x25; 1.32			
1000		20x25; 1.24					20x30; 1.47				
1200		20x30; 1.44	22x25; 1.44				20x35; 1.69	22x30; 1.69	25x25; 1.69		
1500		20x30; 1.59						22x35; 1.98	25x30; 1.98		
1800		20x35; 1.79	22x30; 1.79	25x25; 1.79				22x40; 2.23		30x25; 2.23	
2200		20x40; 2.03	22x35; 2.03						25x40; 2.55	30x30; 2.55	35x25; 2.55
2700			22x40; 2.39		30x25; 2.39				25x45; 2.89	30x35; 2.89	
3300			22x50; 2.64		30x30; 2.64	35x25; 2.64			25x50; 3.30	30x40; 3.30	
3900				25x45; 2.97	30x30; 2.97					30x45; 3.67	35x35; 3.67
4700				25x50; 3.38	30x35; 3.38	35x30; 3.38				30x50; 3.80	35x40; 3.80
5600					30x40; 3.80	35x35; 3.80					35x45; 4.05
6800					30x50; 4.10	35x40; 4.10					
8200						35x45; 4.30					

Cap (μ F)	WV ϕ D	160					180				
		ϕ 20	ϕ 22	ϕ 25	ϕ 30	ϕ 35	ϕ 20	ϕ 22	ϕ 25	ϕ 30	ϕ 35
330		20x25; 1.17					20x25; 1.20				
390		20x25; 1.28					20x30; 1.28	22x25; 1.28			
470		20x30; 1.40	22x25; 1.40				20x35; 1.38	22x30; 1.38			
560		20x35; 1.50	22x30; 1.50				20x40; 1.50	22x30; 1.50	25x25; 1.50		
680		20x40; 1.70	22x30; 1.70	25x25; 1.70			20x45; 1.70	22x35; 1.70	25x30; 1.70		
820			22x35; 2.00	25x30; 2.00				22x40; 2.00	25x35; 2.00	30x25; 2.00	
1000			22x40; 2.20	25x35; 2.20	30x25; 2.20				25x40; 2.20	30x30; 2.20	35x25; 2.20
1200				25x40; 2.30	30x30; 2.30	35x25; 2.30			25x45; 2.30	30x35; 2.30	35x30; 2.30
1500				25x45; 2.50	30x35; 2.50	35x30; 2.50			25x50; 2.50	30x40; 2.50	35x30; 2.50
1800					30x40; 2.70	35x35; 2.70				30x45; 2.70	35x35; 2.70
2200					30x45; 2.90	35x40; 2.90				30x50; 2.90	35x40; 2.90
2700						35x45; 3.10					35x50; 3.10

Cap (μ F)	WV ϕ D	200					220				
		ϕ 20	ϕ 22	ϕ 25	ϕ 30	ϕ 35	ϕ 20	ϕ 22	ϕ 25	ϕ 30	ϕ 35
220							20x25; 0.98				
270		20x25; 0.99					20x30; 1.08	22x25; 1.08			
330		20x30; 1.20	22x25; 1.20				20x30; 1.26	22x25; 1.26			
390		20x30; 1.34	22x25; 1.34				20x35; 1.34	22x30; 1.34	25x25; 1.34		
470		20x35; 1.48	22x30; 1.48	25x25; 1.48			20x40; 1.48	22x35; 1.48	25x25; 1.48		
560		20x40; 1.60	22x35; 1.60	25x25; 1.60			20x45; 1.61	22x40; 1.61	25x30; 1.61	30x25; 1.61	
680			22x40; 1.75	25x30; 1.75	30x25; 1.75			22x45; 1.78	25x35; 1.78	30x25; 1.78	
820			22x45; 2.04	25x35; 2.04	30x25; 2.04			22x50; 1.93	25x40; 1.93	30x30; 1.93	35x25; 1.93
1000				25x45; 2.30	30x30; 2.30				25x50; 2.33	30x35; 2.33	35x30; 2.33
1200				25x50; 2.65	30x35; 2.65	35x30; 2.65				30x40; 2.50	35x35; 2.50
1500					30x45; 2.80	35x35; 2.80				30x50; 2.76	35x40; 2.76
1800					30x50; 3.08	35x40; 3.08					35x45; 3.11
2200						35x45; 3.48					

Ripple Current (A r.m.s./120Hz, 105°C)
 Case Size ϕ D×L(mm)

◆ STANDARD SIZE

Cap (μ F)	WV ϕ D	250					400				
		ϕ 20	ϕ 22	ϕ 25	ϕ 30	ϕ 35	ϕ 20	ϕ 22	ϕ 25	ϕ 30	ϕ 35
68							20x25;0.49				
82							20x25;0.57	22x25;0.57			
100							20x30;0.70	22x25;0.70			
120							20x35;0.75	22x30;0.75	25x25;0.75		
150							20x40;0.88	22x35;0.88	25x25;0.88		
180								22x35;0.95	25x30;0.95	30x25;0.95	
220	20x25;1.00							22x45;1.10	25x35;1.10	30x25;1.10	
270	20x30;1.10	22x25;1.10						22x50;1.22	25x40;1.22	30x30;1.22	35x25;1.22
330	20x35;1.20	22x30;1.20	25x25;1.20						25x45;1.44	30x35;1.44	35x30;1.44
390	20x40;1.30	22x35;1.30	25x25;1.30						25x50;1.55	30x40;1.55	35x30;1.55
470	20x45;1.40	22x40;1.40	25x30;1.40	30x25;1.40						30x45;1.68	35x35;1.66
560		22x45;1.50	25x35;1.50	30x25;1.50						30x50;1.90	35x40;1.90
680		22x50;1.70	25x40;1.70	30x30;1.70	35x25;1.70						35x45;2.12
820			25x45;2.00	30x35;2.00	35x30;2.00						
1000				30x40;2.20	35x35;2.20						
1200				30x45;2.30	35x35;2.30						
1500					35x45;2.50						
1800					35x50;2.70						

Cap (μ F)	WV ϕ D	420					450				
		ϕ 20	ϕ 22	ϕ 25	ϕ 30	ϕ 35	ϕ 20	ϕ 22	ϕ 25	ϕ 30	ϕ 35
56							20x25;0.44				
68	20x25;0.50						20x25;0.50	22x25;0.50			
82	20x25;0.64	22x25;0.64					20x30;0.64	22x25;0.64			
100	20x30;0.66	22x25;0.66	25x25;0.66				20x35;0.69	22x30;0.69	25x25;0.69		
120	20x35;0.81	22x30;0.81	25x25;0.81				20x35;0.72	22x30;0.72	25x25;0.72		
150	20x40;0.84	22x35;0.84	25x30;0.84	30x25;0.84			20x45;0.79	22x35;0.79	25x30;0.79	30x25;0.79	
180	20x45;0.91	22x40;0.91	25x30;0.91	30x25;0.91				22x40;0.87	25x35;0.87	30x25;0.87	
220		22x45;1.05	25x35;1.05	30x30;1.05	35x25;1.05			22x50;1.05	25x40;1.05	30x30;1.05	35x25;1.05
270			25x40;1.25	30x30;1.25	35x25;1.25				25x45;1.23	30x35;1.23	35x30;1.23
330			25x50;1.42	30x35;1.42	35x30;1.42				25x50;1.38	30x40;1.38	35x30;1.38
390				30x40;1.61	35x35;1.61					30x45;1.61	35x35;1.61
470				30x45;1.86	35x40;1.86					30x50;1.78	35x40;1.78
560					35x45;2.10						35x45;1.99
680					35x50;2.20						

Cap (μ F)	WV ϕ D	500				
		ϕ 20	ϕ 22	ϕ 25	ϕ 30	ϕ 35
39	20x25;0.39					
47	20x30;0.46	22x25;0.44				
56	20x35;0.52	22x30;0.51				
68	20x40;0.60	22x30;0.56	25x25;0.55			
82	20x45;0.68	22x35;0.68	25x30;0.64	30x25;0.63		
100		22x40;0.77	25x35;0.74	30x25;0.69		
120		22x50;0.87	25x35;0.81	30x30;0.81	35x25;0.78	
150			25x45;0.97	30x35;0.96	35x30;0.92	
180			25x50;1.10	30x40;1.07	35x30;1.00	
220				30x45;1.22	35x40;1.21	
270					35x40;1.32	
330					35x45;1.50	
390					35x55;1.73	
470					35x60;1.92	

↑ Ripple Current (A r.m.s./120Hz, 105°C)
 ↑ Case Size ϕ DxL(mm)