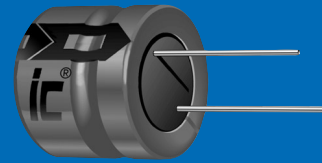


RSS

+85°C Low Profile Radial Lead Aluminum Electrolytic Capacitors



For all general purpose applications

FEATURES

- Suitable for dipped tantalum replacement
- Small case sizes
- Capacitance range: 1 μ F to 2200 μ F
- Voltage range: 6.3 WVDC to 50 WVDC
- Solvent tolerant end seals standard

SPECIFICATIONS

Capacitance Tolerance		$\pm 20\%$ at 120 Hz, 20°C									
Operating Temperature Range		-40°C to +85°C									
Dissipation Factor 120Hz, 20°C	WVDC	6.3	10	16	25	35	50				
	$\tan \delta$.25	.2	.17	.15	.12	.10				
Impedance Ratio (Max.) @120Hz	WVDC	6.3	10	16	25	35	50				
	-25°C/20°C	5	4	3	2	2	2				
	-40°C/20°C	10	8	6	4	4	4				
Leakage Current	WVDC	≤ 50 WVDC									
	Time	2 minutes									
		.01 CV or 3 μ A									
		whichever is greater									
Load Life	1,000 hours, +85°C, with rated voltage										
	Capacitance change Dissipation factor Leakage current						$\leq 20\%$ of initial measured value $\leq 200\%$ of initial specified value \leq initial specified value				
Shelf Life	500 hours at +85°C with no voltage applied. Units will meet load life specifications										
Ripple Current Multipliers	Frequency (Hz)						Temperature (°C)				
	50	120	400	1K	10K	100K	+85	+70	+60	+30	
	0.8	1.0	1.3	1.45	1.65	1.7	1.0	1.3	1.5	1.8	

SPECIAL ORDER OPTIONS

(See pages 33 thru 37)

- Special tolerances: $\pm 10\%$ (K), -10% + 30% (Q)
- Tape and Reel/Ammo-Pack
- Cut, Formed, Cut and Formed, and Snap In Leads

STANDARD PART LISTING

Capacitance (µF)	WVDC	IC [®] PART NUMBER	Maximum ESR Ω 120Hz, +20°C	Maximum RMS Ripple Current (mA) 120Hz, +85°C	Dimensions DxL (mm)
1.0	50	105RSS050M	165.786	10	4x7
2.2	50	225RSS050M	75.357	20	4x7
3.3	50	335RSS050M	50.238	25	4x7
4.7	35	475RSS035M	42.328	25	4x7
4.7	50	475RSS050M	35.274	30	5x7
10	16	106RSS016M	28.184	40	4x7
10	35	106RSS035M	19.894	45	5x7
10	50	106RSS050M	16.579	50	6.3x7
22	16	226RSS016M	12.811	45	5x7
22	35	226RSS035M	9.043	70	6.3x7
33	10	336RSS010M	10.048	50	5x7
33	25	336RSS025M	7.536	70	6.3x7

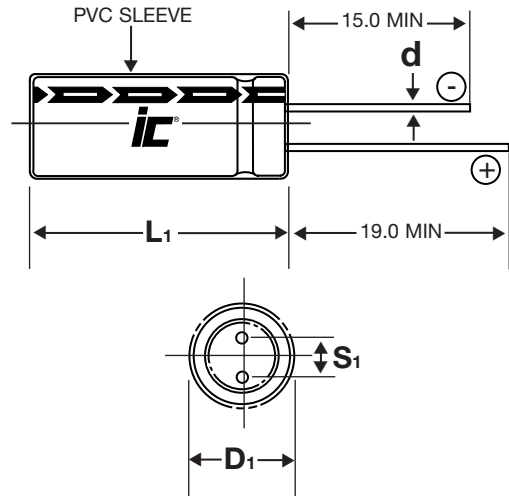
Capacitance (µF)	WVDC	IC [®] PART NUMBER	Maximum ESR Ω 120Hz, +20°C	Maximum RMS Ripple Current (mA) 120Hz, +85°C	Dimensions DxL (mm)
47	6.3	476RSS6R3M	7.055	80	5x7
47	16	476RSS016M	5.997	80	6.3x7
100	6.3	107RSS6R3M	4.145	90	6.3x7
100	25	107RSS025M	2.487	135	8x9
100	35	107RSS035M	1.989	160	10x9
220	10	227RSS010M	1.507	165	8x9
220	16	227RSS016M	1.281	202	10x9
470	6.3	477RSS6R3M	0.882	238	10x9
470	35	477RSS035M	0.423	524	12.5x15
1000	16	108RSS016M	0.282	655	12.5x15
1000	35	108RSS035M	0.199	1000	16x15
2200	16	228RSS016M	0.153	940	16x15

PHYSICAL DIMENSIONS

WVDC (SV) (µF)	6.3 (8)	10 (13)	16 (20)	25 (32)	35 (44)	50 (63)
1.0						4x7
2.2						4x7
3.3						4x7
4.7					4x7	5x7
10			4x7		5x7	6.3x7
22			5x7		6.3x7	
33		5x7		6.3x7		
47	5x7		6.3x7			
100	6.3x7			8x9	10x9	
220		8x9	10x9			
470	10x9				12.5x15	
1000			12.5x15		16x15	
2200			16x15			

Convert to inches, divide by 25.4

DxL(mm)



NOTE: Case Vent is standard on all diameter ≥8.0mm

LEAD INFORMATION V.S. CASE DIAMETER

D	4.0	5.0	6.3	8	10	12.5	16
S	1.5	2.0	2.5	3.5	5.0	5.0	7.5
d	0.45	0.45	0.45	0.6	0.6	0.6	0.8
B	0.5	0.5	0.5	0.5	0.5	0.8	0.5

L=L+1.0 mm Max. D≤8 mm

L=L+1.5 mm Max. D≥10 mm

D=D+B Max.

S=S±0.5mm