

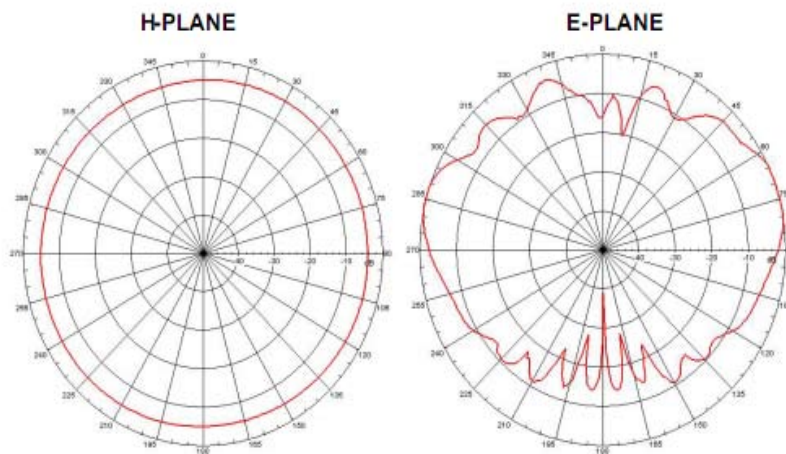
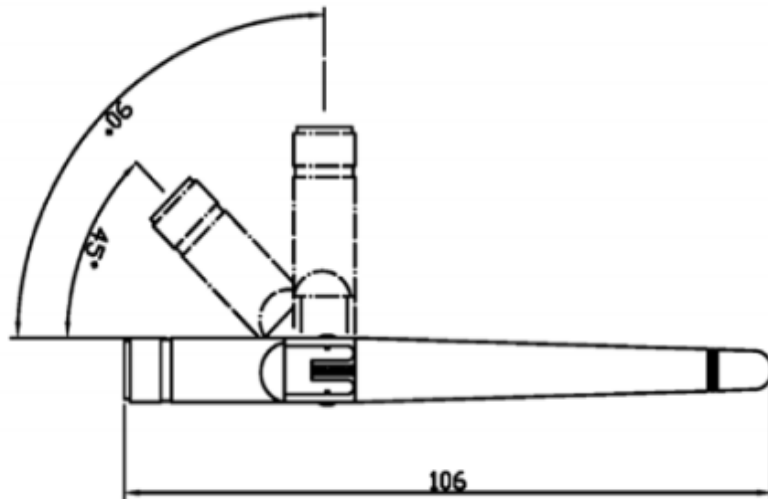


2.4G DIPOLE 2DBI ANTENNA FOR SMA MALE REVERSE POLARITY

Part Number: LM251



Type:	Dipole
Frequency:	2400~2500MHz
Gain:	2Dbi
Polarization:	Linear Vertical
SWR:	$\leq 1.5:1$
Impedance:	50 Ω
Base	
Connector:	SMA Male Reverse Polarity
Weight:	13g
Size:	H 105mm x W 10mm x D 10mm
Certification:	RoHS



Contact



Birmingham Office

LM Technologies Ltd
Unit 10 Caroline Point
62 Caroline Street
Birmingham
B3 1UF, UK.

Tel : 0121 200 1375
Fax: 0870 112 7636

London Office

LM Technologies Ltd
Unit 19 Spectrum House
32-34 Gordon House Road
London
NW5 1LP, UK.

Tel : 0207 428 2647
Fax: 0870 112 7636



2.4G DIPOLE 2DBI ANTENNA FOR SMA MALE REVERSE POLARITY

Part Number: LM251

