



## Qikmate panel and cable connectors

### Description

The versatile "SMS" Qikmate panel and cable connectors are a highly cost-effective system approach to solving the constant demand for more cost effective interconnection techniques.

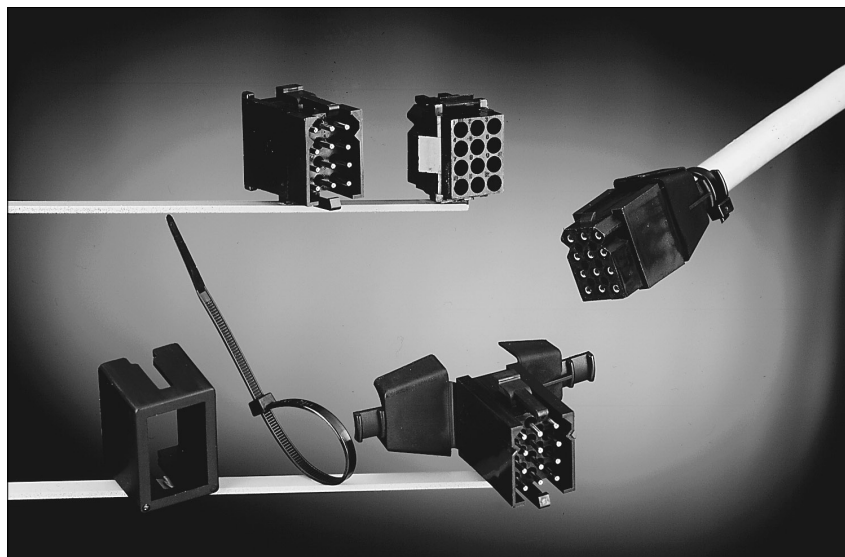
It is a range of multiway connectors using N° 16 TRIM TRIO .0625" (1,6mm) diameter contacts and available in 10 contact arrangements from 2 to 36 positions. Having no additional hardware, Panel receptacle connectors snap and lock into panel cutouts and cable plugs quick connect and disconnect with positive retention locks.

Cable plug connectors also feature pin-protection skirts, positive polarisation and can be supplied with or without integrated strain relief hoods.

Cable receptacle connectors (only with integrated strain relief hoods) are developed to mate with cable plug connectors thus offering solutions for cable to cable applications.

### Features and benefits

- Available in 10 contact arrangements.
- Self mountable panel receptacle with positive housing retention.
- Cable plugs with retaining latches for positive locking.
- Cable plug has pin protection skirt to prevent damage of male contacts
- Positive polarization keys prevent mismatching.
- Cable plug and receptacle have integrated strain relief hood which can take a wide range of cables.
- Cable plug and receptacle have discrimination cavities in between contact cavities, thus offering discrimination without contact loss.
- UL recognized File Nr.: E238675



### Performance characteristics

|                        |                            |
|------------------------|----------------------------|
| Operating temperature: | -55°C to +105°C            |
| Insulation resistance: | 5000 MΩ min.               |
| Test potential:        | 2000 VAC                   |
| Durability:            | 500 matings and unmatings. |

### Construction

|                       |               |
|-----------------------|---------------|
| Material :            | Polyamide 6.6 |
| Flammability rating : | UL94-V2       |

### Contact accommodation

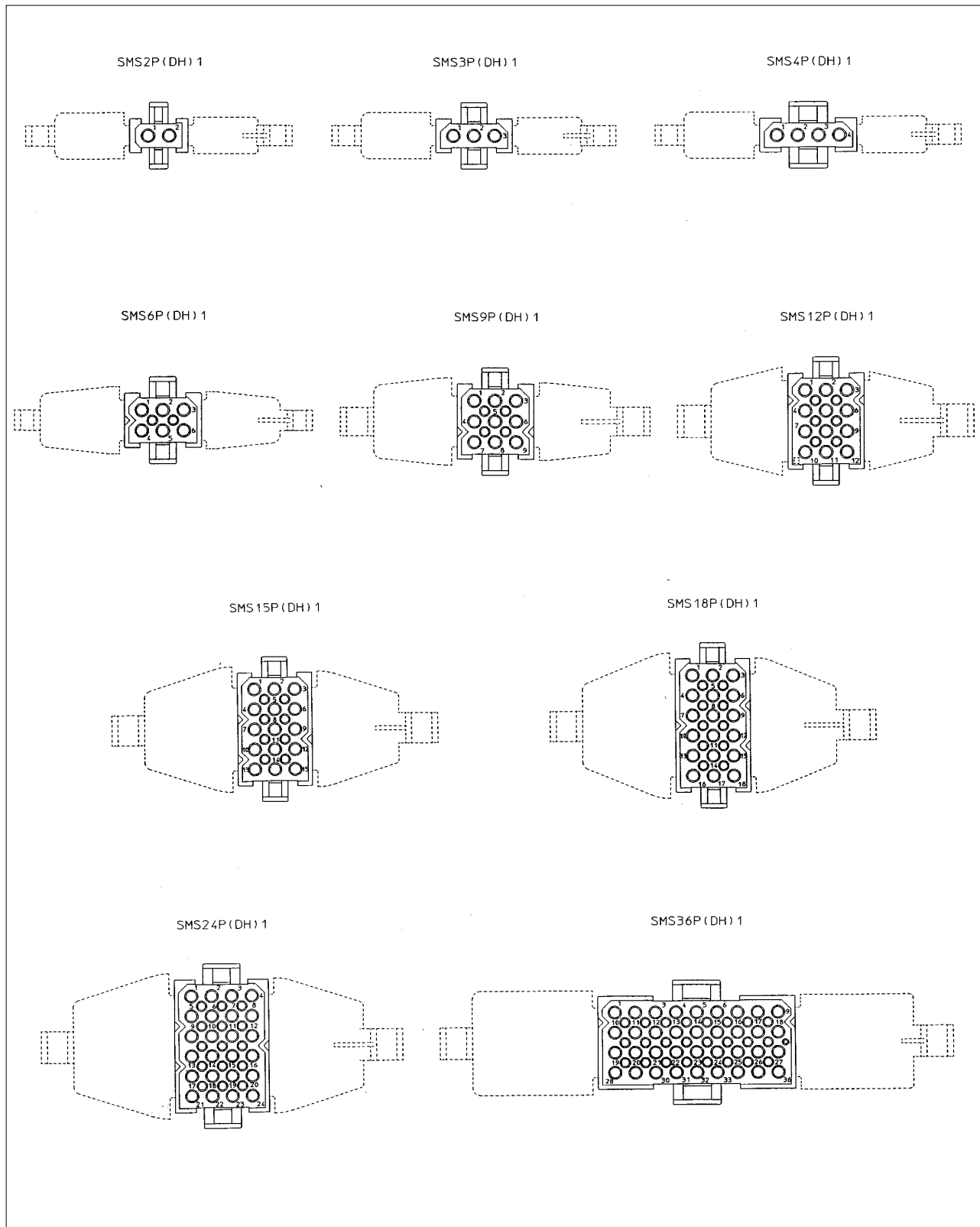
- "SMS" Qikmate connectors accept TRIM TRIO size 16 removable snap-lock contacts (see contact section)
- Contacts to be ordered separately.

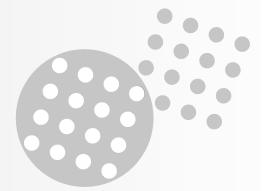
## How to order

|                            |   |                        |                          |
|----------------------------|---|------------------------|--------------------------|
| <b>Connector family</b>    | <b>SMS</b><br><b>SMS</b>  | <b>12</b><br><b>12</b> | <b>PDH1</b><br><b>P1</b> |
| <b>Contact arrangement</b> |   |                        |                          |
| <b>Body variation:</b>     | <b>R1:</b> Panel mount receptacle<br><b>P1:</b> Cable plug without strain relief hood<br><b>PDH1:</b> Cable plug with integrated strain relief hood<br><b>RDH1:</b> Cable receptacle with integrated strain relief hood |                        |                          |

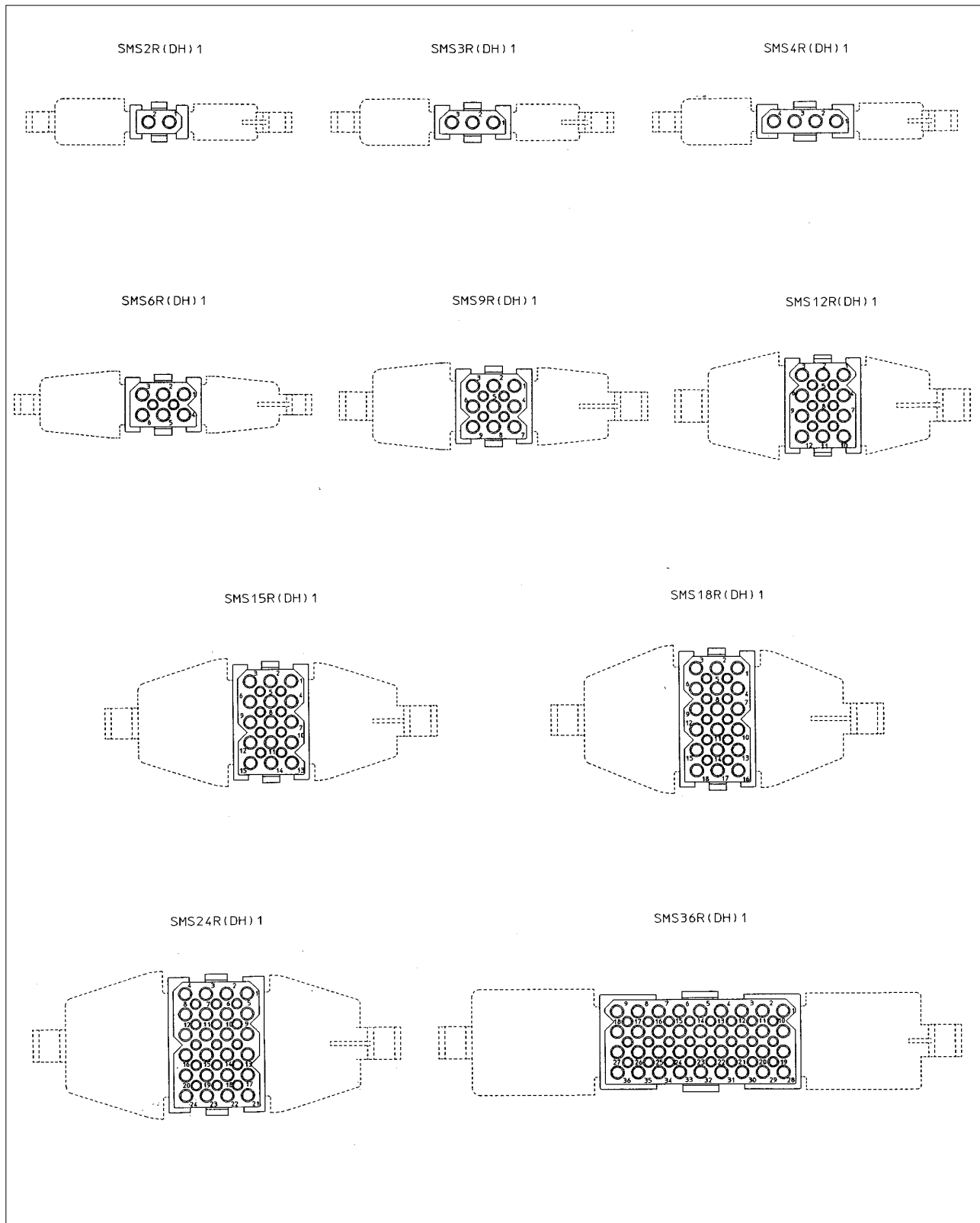


## Contact arrangements for cable plug connectors (SMS--P1 and SMS--PDH1)





## Contact arrangements for cable and panel mount receptacle connectors (SMS–R1 and SMS–RDH1)



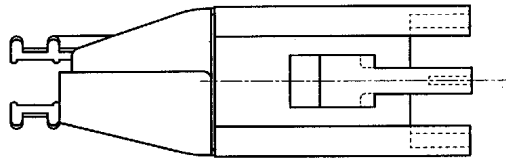
Contact identifications shown are for mating face. Contact identifications of wiring face are identical as shown on the plug arrangements



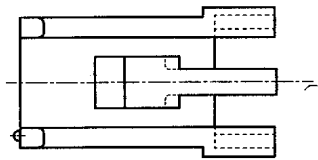
## SMS - Standard Qikmate intermateability chart

### INTERMATEABILITY

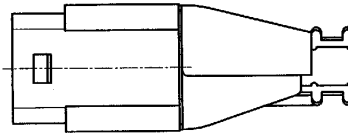
SMS--PDH1  
(PLUG WITH MOULDED  
ON CABLE HOODS)



SMS--P1  
(PLUG WITHOUT MOULDED  
ON CABLE HOODS)



SMS--RDH1  
(RECEPTACLE WITH MOULDED  
ON CABLE HOODS)



STRAIGHT BOARDMOUNT  
FEMALE

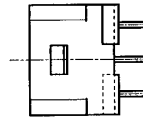
SMS--GE3 MACHINED CONTACT

SMS--R/SE3 STAMPED CONTACT

MALE

SMS--GE4 MACHINED CONTACT

SMS--R/SE4 STAMPED CONTACT



RIGHT ANGLE BOARDMOUNT  
FEMALE

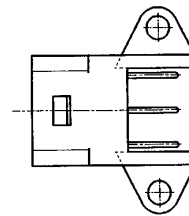
SMS--GE5 MACHINED CONTACT

SMS--SE5 STAMPED CONTACT

MALE

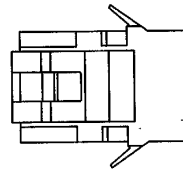
SMS--GE6 MACHINED CONTACT

SMS--SE6 STAMPED CONTACT



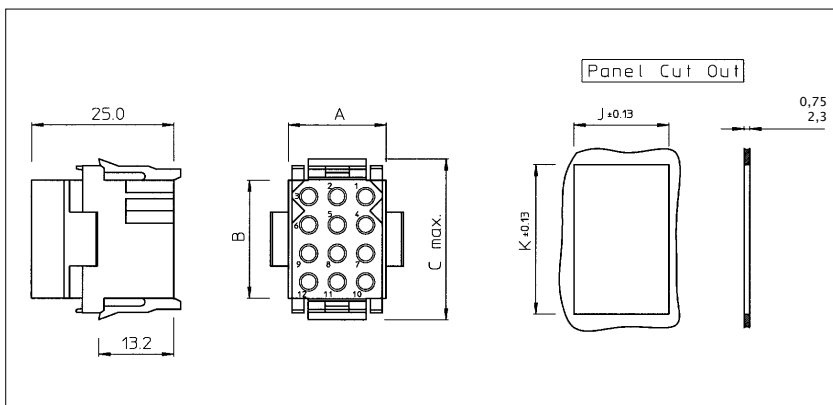
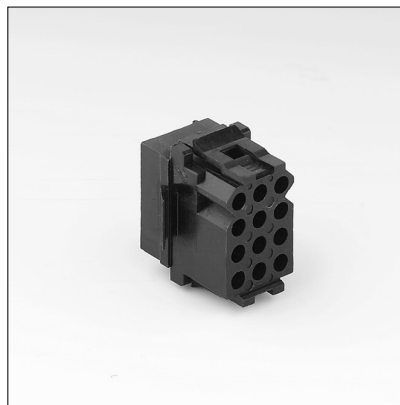
(ONLY IN SIZES  
3, 6, 12 AND 18)

SMS--R-1  
(PANEL MOUNT  
RECEPTACLE)



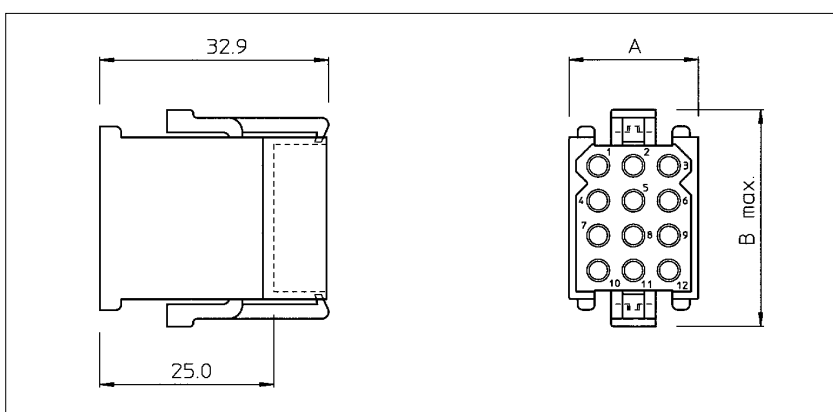
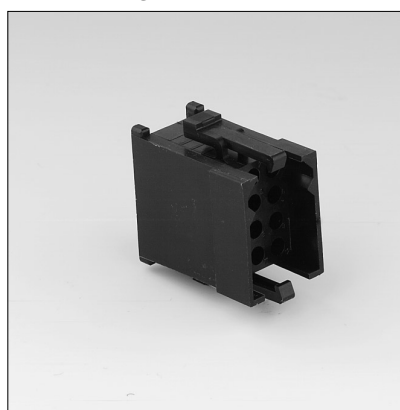


## Panel mount receptacle (SMS--R1)



| Part number | Number of contact pos. | A    | B    | C max. | J ±0.13 | K ±0.13 |
|-------------|------------------------|------|------|--------|---------|---------|
| SMS2R1      | 2                      | 11.0 | 5.8  | 15.2   | 11.4    | 11.6    |
| SMS3R1      | 3                      | 16.2 |      |        | 16.5    |         |
| SMS4R1      | 4                      | 21.2 |      |        | 21.7    |         |
| SMS6R1      | 6                      | 16.2 | 10.9 | 20.3   | 16.5    | 16.7    |
| SMS9R1      | 9                      |      | 16.0 | 25.4   | 16.7    | 21.6    |
| SMS12R1     | 12                     |      | 21.1 | 30.5   |         | 26.7    |
| SMS15R1     | 15                     |      | 26.2 | 35.6   |         | 31.8    |
| SMS18R1     | 18                     | 21.2 | 31.2 | 40.6   | 21.7    | 36.9    |
| SMS24R1     | 24                     |      |      |        |         |         |
| SMS36R1     | 36                     | 46.6 | 21.1 | 30.5   | 47.1    | 26.7    |

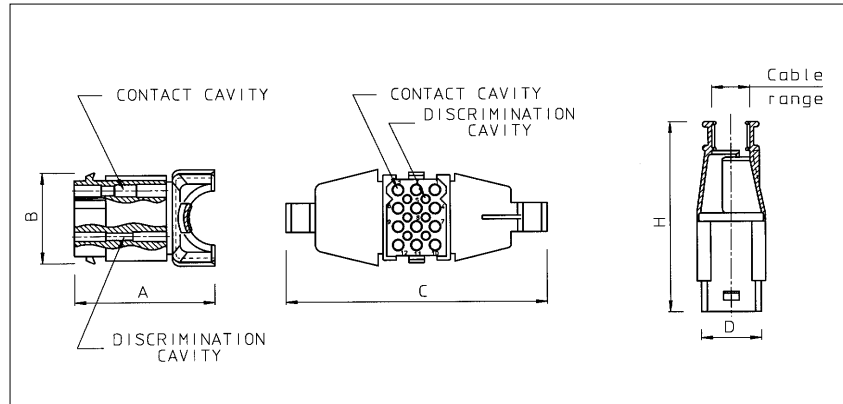
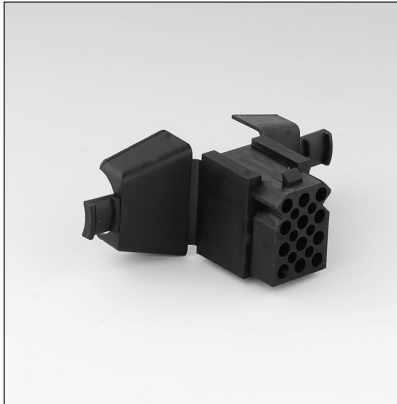
## Cable plug without strain relief hood (SMS--P1)



| Part number | Number of contact pos. | A    | C max. |
|-------------|------------------------|------|--------|
| SMS2P1      | 2                      | 15.0 | 17.8   |
| SMS3P1      | 3                      | 18.6 |        |
| SMS4P1      | 4                      | 23.7 |        |
| SMS6P1      | 6                      | 18.6 | 22.9   |
| SMS9P1      | 9                      |      | 27.9   |
| SMS12P1     | 12                     |      | 33.0   |
| SMS15P1     | 15                     |      | 38.1   |
| SMS18P1     | 18                     | 23.7 | 43.2   |
| SMS24P1     | 24                     |      |        |
| SMS36P1     | 36                     | 49.1 | 33.0   |

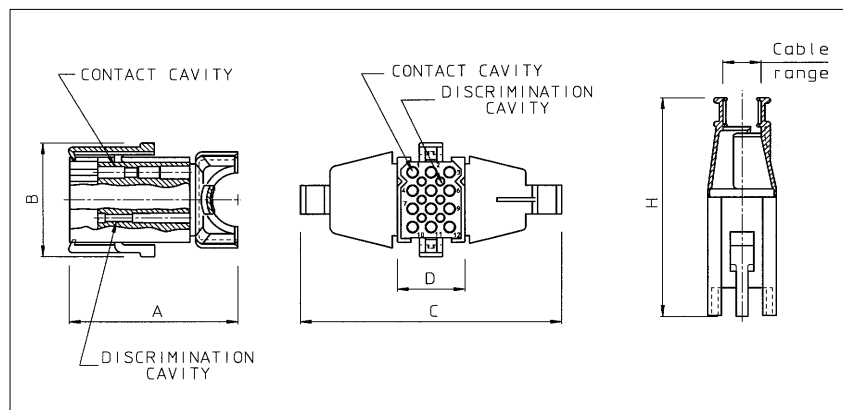
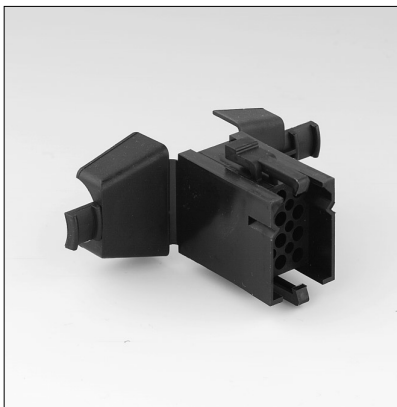


## Cable receptacle with integrated strain relief hood ( SMS--RDH1 )



| Part number contact | Number of discrimi-<br>pos. | Number of<br>nation pos. | A    | B    | C     | D    | H          | Cable<br>range | Recommen-<br>ded unrap<br>cable tie |
|---------------------|-----------------------------|--------------------------|------|------|-------|------|------------|----------------|-------------------------------------|
| SMS2RDH1            | 2                           | 0                        | 31.6 | 9.9  | 64.8  | 11.1 | 49.2       | 0.5 - 8.4      | TF4D                                |
| SMS3RDH1            | 3                           | 0                        | 35.1 |      | 69.0  | 16.2 |            | 0.8 - 7.3      |                                     |
| SMS4RDH1            | 4                           | 0                        | 38.2 |      | 74.4  | 21.2 |            | 1.5 - 10.0     |                                     |
| SMS6RDH1            | 6                           | 2                        | 34.6 | 15.0 | 72.6  | 16.2 | 50.9       | 1.7 - 9.2      | TF5D                                |
| SMS9RDH1            | 9                           | 4                        | 35.8 | 20.0 | 75.3  |      | 52.2       | 3.9 - 14.3     |                                     |
| SMS12RDH1           | 12                          | 6                        | 38.1 | 25.1 | 72.0  |      | 52.7       | 4.0 - 15.0     |                                     |
| SMS15RDH1           | 15                          | 8                        | 35.9 | 30.2 | 81.3  | 55.2 | 5.0 - 16.2 |                |                                     |
| SMS18RDH1           | 18                          | 10                       | 36.1 | 35.3 |       |      | 5.8 - 20.3 |                |                                     |
| SMS24RDH1           | 24                          | 15                       | 39.7 | 25.1 | 90.4  | 21.2 | 57.2       | 7.1 - 20.4     |                                     |
| SMS36RDH1           | 36                          | 24                       | 54.6 |      | 128.0 | 46.6 | 63.3       | 8.8 - 24.5     |                                     |

## Cable plug with integrated strain relief hood ( SMS--PDH1 )

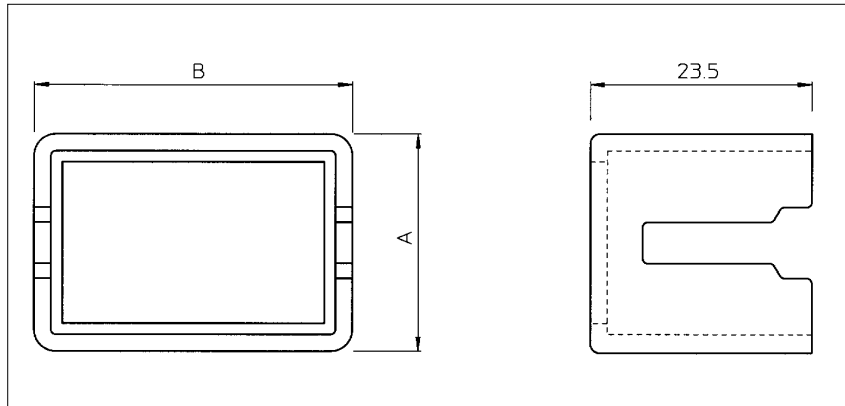


| Part number contact | Number of discrimi-<br>pos. | Number of<br>nation pos. | A    | B    | C     | D    | H          | Cable<br>range | Recommen-<br>ded unrap<br>cable tie |
|---------------------|-----------------------------|--------------------------|------|------|-------|------|------------|----------------|-------------------------------------|
| SMS2PDH1            | 2                           | 0                        | 39.5 | 16.4 | 64.8  | 14.1 | 57.1       | 0.5 - 8.4      | TF4D                                |
| SMS3PDH1            | 3                           | 0                        | 43.0 |      | 69.0  | 18.6 |            | 0.8 - 7.3      |                                     |
| SMS4PDH1            | 4                           | 0                        | 46.1 |      | 74.4  | 23.7 |            | 1.5 - 10.0     |                                     |
| SMS6PDH1            | 6                           | 2                        | 42.5 | 21.5 | 72.6  | 18.6 | 58.8       | 1.7 - 9.2      | TF5D                                |
| SMS9PDH1            | 9                           | 4                        | 43.7 | 26.7 | 75.3  |      | 60.1       | 3.9 - 14.3     |                                     |
| SMS12PDH1           | 12                          | 6                        | 46.0 | 31.7 | 72.0  |      | 60.6       | 4.0 - 15.0     |                                     |
| SMS15PDH1           | 15                          | 8                        | 43.8 | 36.7 | 81.3  | 63.1 | 5.0 - 16.2 |                |                                     |
| SMS18PDH1           | 18                          | 10                       | 44.0 | 41.8 |       |      | 5.8 - 20.3 |                |                                     |
| SMS24PDH1           | 24                          | 15                       | 47.6 | 31.7 | 90.4  | 23.7 | 65.1       | 7.1 - 20.4     |                                     |
| SMS36PDH1           | 36                          | 24                       | 62.5 |      | 128.0 | 49.1 | 71.2       | 8.8 - 24.5     |                                     |



## Accessories for standard Qikmate connectors

### Pin protection shroud for panel mount receptacle (SMS--CSB1)

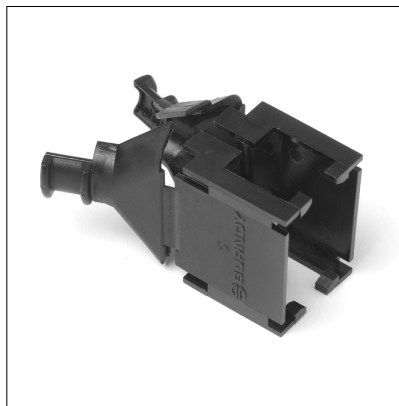


When pins are inserted into the panelmount receptacle half (SMS–R1) of the QIKMATE connector, an optional pin protection shroud can be installed.

The shroud is mounted at the same time as the receptacle by holding the shroud against the mating side of the panel with both cutouts lined up. The receptacle is then inserted in place, trapping the shroud between the receptacle and panel. The use of the pin protection shroud reduces the allowable thickness of the panel from 2.3 to 1.6 mm max.

| Part number      | Number of contact positions | A    | B    |
|------------------|-----------------------------|------|------|
| <b>SMS2CSB1</b>  | <b>2</b>                    | 19.8 | 18.8 |
| <b>SMS3CSB1</b>  | <b>3</b>                    | 23.4 |      |
| <b>SMS4CSB1</b>  | <b>4</b>                    | 28.4 |      |
| <b>SMS6CSB1</b>  | <b>6</b>                    | 23.4 | 23.9 |
| <b>SMS9CSB1</b>  | <b>9</b>                    |      | 29.0 |
| <b>SMS12CSB1</b> | <b>12</b>                   |      | 34.0 |
| <b>SMS15CSB1</b> | <b>15</b>                   |      | 39.1 |
| <b>SMS18CSB1</b> | <b>18</b>                   |      | 44.2 |
| <b>SMS24CSB1</b> | <b>24</b>                   | 28.4 |      |
| <b>SMS36CSB1</b> | <b>36</b>                   | 54.1 | 34.0 |

### Strain relief hoods (SMS–H1)



Separate strain relief hoods are available for all standard plugs SMS–P1.

The hoods consist of identical halves that snap into position on the plug and are secured in place with the cable tie drawn tightly around the cable entry collar.

Catalog numbers designate a complete hood (2 halves) SMS–H1

The cable tie is not included (TF4D – TF5D)

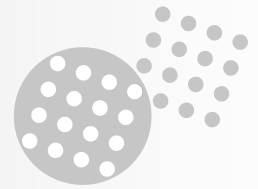
Two three and four position hoods are single piece units

### Discrimination pins

For discrimination pins on both standard Qikmate and Qikmate Pin Headers cable and boardmount:  
See accessories section.







## Qikmate PC-boardmount connectors

### Description

These PC boardmount connectors enable QIKMATE and preassembled TRIM TRIO contacts to be PC board mounted, using conventional solder production techniques. They will then mate and latch with the standard QIKMATE plugs.

Straight boardmount QIKMATE is available in 10 insert arrangements from 2 to 36 positions.

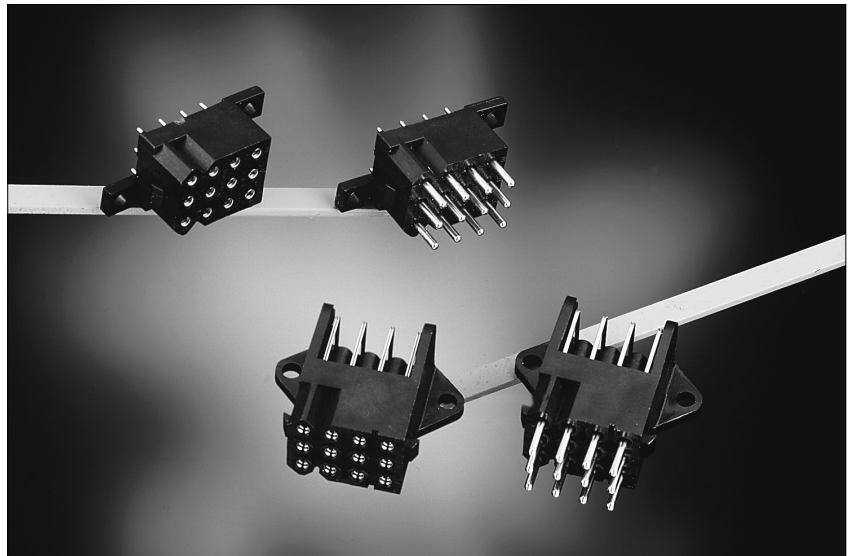
Right-angled boardmount QIKMATE is available in 3, 6, 12 and 18 positions.

All boardmount connectors are supplied fully loaded with pin or socket contacts, either in solid machined or stamped and formed contacts.

Stamped and formed contact have selective tin plating on the solder tails, thus eliminating flux operations.

### Features and benefits

- Straight versions available in 10 contact arrangements from 2 to 36 positions
- Right-angled versions available in 3, 6, 12 and 18 positions.
- All versions are available with:
  - Pin or socket contacts
  - Stamped and formed or solid machined contacts.
- Some boardmount connectors have discrimination cavities in between contact cavities, thus offering discrimination without contact loss.
- UL recognized File Nr.: E238675



### Performance characteristics

|                        |   |
|------------------------|---|
| Operating temperature: | -55°C to +125°C   |
| Insulation resistance: | 5000 MΩ min.  |
| Test potential:        | 2000 VAC  |
| Current rating:        | 5 Amp for stamped contacts<br>7.5 Amp for machined contacts |
| Durability: unmatings. | 500 matings and   |

### Construction

|                 |                                  |
|-----------------|----------------------------------|
| Connector body: | Glass filled thermoplast UL94-V0 |
| Contacts:       | High conductive copper alloy     |

### Plating table

Plating for solid machined contacts:  
**No digit (std)** = Min. 0.4μ Gold all over, over Nickel.  
 T = 3 - 5μ Tin all over

Plating for Stamped and formed contacts :  
**K9 (std)** = Min. 0.4μ Gold in contact area, 3 - 5μ Tin on solder tail.  
 T = 3 - 5μ Tin all over

### Intermateability

- "SMS" Qikmate boardmount connectors with preassembled TRIM TRIO size 16 boardmount contacts are intermateable only with the "SMS" Qikmate cable plug connectors equipped with TRIM TRIO crimp type removable snap-lock contacts (see contact section)

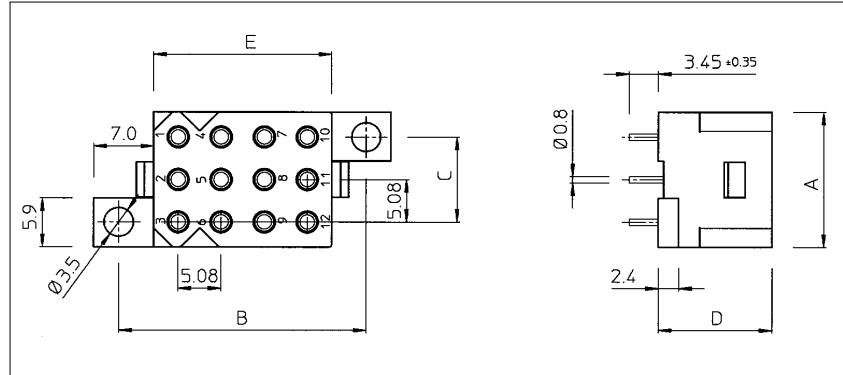
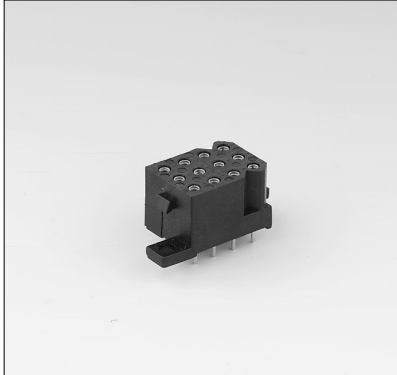
### How to order

|                            |  |           |           |          |           |
|----------------------------|--|-----------|-----------|----------|-----------|
| <b>Connector family</b>    | <b>SMS</b>   | <b>12</b> | <b>GE</b> | <b>3</b> | <b>-</b>  |
|                            | <b>SMS</b>   | <b>12</b> | <b>SE</b> | <b>3</b> | <b>K9</b> |
| <b>Contact arrangement</b> |  |           |           |          |           |
| <b>Contact type:</b>       | <b>GE:</b> Solid machined contacts<br><b>SE:</b> Stamped and formed contacts   |           |           |          |           |
| <b>Design variation:</b>   | <b>3:</b> Straight boardmount with female contacts<br><b>4:</b> Straight boardmount with male contacts<br><b>5:</b> Right angle boardmount with female contacts<br><b>6:</b> Right angle boardmount with male contacts |           |           |          |           |
| <b>Plating indication</b>  |  |           |           |          |           |

# SMS – Boardmount Qikmate



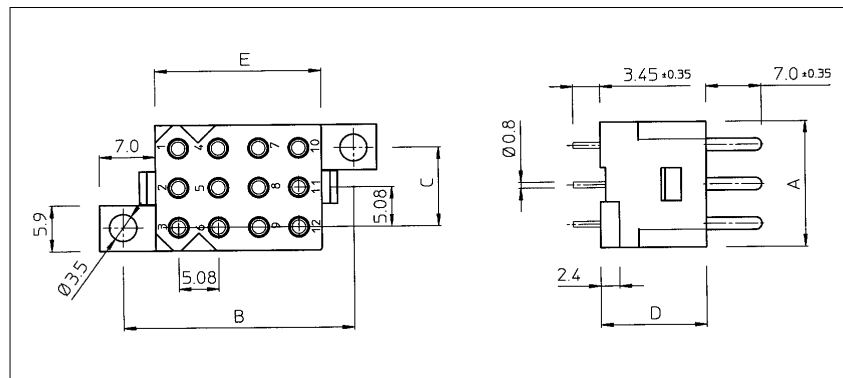
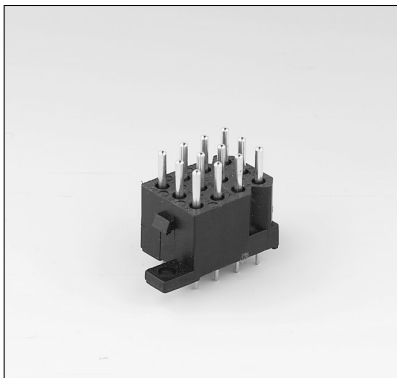
## Straight boardmount with female contacts (SMS--GE3 / SMS--SE3K9)



| Part number Solid machined contacts | Part number Stamped and formed contacts | Number of contact pos. | Number of discrimination pos. | A    | B    | C    | D    | E    |
|-------------------------------------|---|------------------------|-------------------------------|------|------|------|------|------|
| SMS2GE3                             | SMS2SE3K9                               | 2                      | 0                             | 11.0 | -    | 19.1 | 13.4 | 5.9  |
| SMS3GE3                             | SMS3SE3K9                               | 3                      | 0                             | 16.2 | 14.0 | 10.2 |      |      |
| SMS4GE3                             | SMS4SE3K9                               | 4                      | 0                             | 21.3 |      | 15.2 |      |      |
| SMS6GE3                             | SMS6SE3K9                               | 6                      | 0                             |      | 19.2 |      |      | 10.9 |
| SMS9GE3                             | SMS9SE3K9                               | 9                      | 4                             |      | 24.2 |      |      | 16.0 |
| SMS12GE3                            | SMS12SE3K9                              | 12                     | 0                             | 16.2 | 29.2 | 10.2 |      | 21.1 |
| SMS15GE3                            | SMS15SE3K9                              | 15                     | 8                             |      | 34.3 |      |      | 26.1 |
| SMS18GE3                            | SMS18SE3K9                              | 18                     | 10                            |      | 39.4 |      |      | 31.2 |
| SMS24GE3                            | SMS24SE3K9                              | 24                     | 0                             | 21.2 |      | 15.2 |      |      |
| SMS36GE3                            | SMS36SE3K9                              | 36                     | 0                             | 46.5 | 15.2 | 54.6 |      | 20.9 |

For other platings: see plating table

## Straight boardmount with male contacts (SMS--GE4 / SMS--SE4K9)



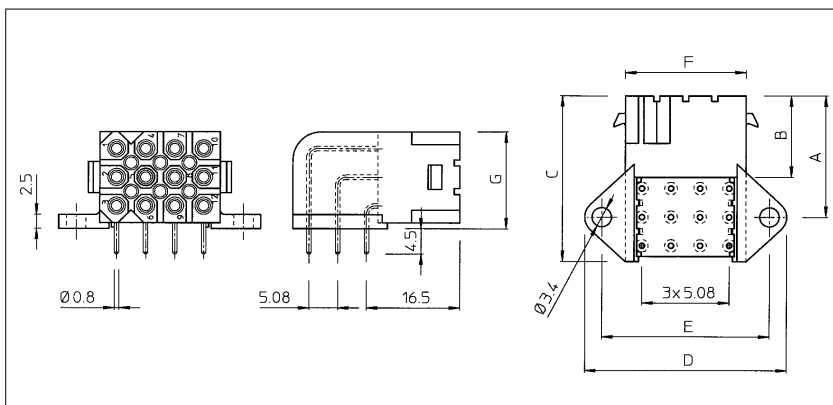
| Part number Solid machined contacts | Part number Stamped and formed contacts | Number of contact pos. | Number of discrimination pos. | A    | B    | C    | D    | E    |
|-------------------------------------|---|------------------------|-------------------------------|------|------|------|------|------|
| SMS2GE4                             | SMS2SE4K9                               | 2                      | 0                             | 11.1 | -    | 19.1 | 13.4 | 5.9  |
| SMS3GE4                             | SMS3SE4K9                               | 3                      | 0                             | 16.2 | 14.0 | 10.2 |      |      |
| SMS4GE4                             | SMS4SE4K9                               | 4                      | 0                             | 21.3 |      | 15.2 |      |      |
| SMS6GE4                             | SMS6SE4K9                               | 6                      | 0                             |      | 19.2 |      |      | 10.9 |
| SMS9GE4                             | SMS9SE4K9                               | 9                      | 4                             |      | 24.2 |      |      | 16.0 |
| SMS12GE4                            | SMS12SE4K9                              | 12                     | 0                             | 16.2 | 29.2 | 10.2 |      | 21.1 |
| SMS15GE4                            | SMS15SE4K9                              | 15                     | 8                             |      | 34.3 |      |      | 26.1 |
| SMS18GE4                            | SMS18SE4K9                              | 18                     | 10                            |      | 39.4 |      |      | 31.2 |
| SMS24GE4                            | SMS24SE4K9                              | 24                     | 0                             | 21.2 |      | 15.2 |      |      |
| SMS36GE4                            | SMS36SE4K9                              | 36                     | 0                             | 46.5 | 15.2 | 54.6 |      | 20.9 |

For other platings: see plating table

# SMS – Boardmount Qikmate



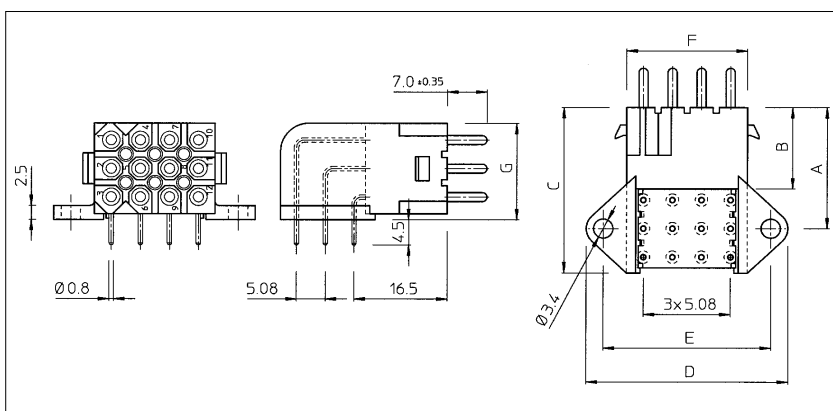
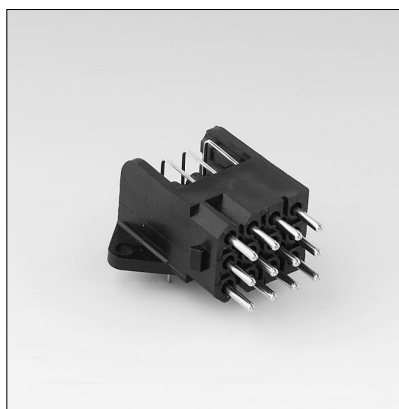
## Right angle boardmount with female contacts (SMS--GE5 / SMS--SE5K9)



| Part number<br>Solid machined<br>contacts | Part number<br>Stamped and<br>formed contacts | Number of<br>contact pos. | Number of<br>discrimination<br>pos. | A    | B    | C    | D    | E    | F    | G    |
|---|---|---------------------------|-------------------------------------|------|------|------|------|------|------|------|
| <b>SMS3GE5</b>                            | <b>SMS3SE5K9</b>                              | <b>3</b>                  | <b>0</b>                            | 16.5 | 14.4 | 20.5 | 30.2 | 24.2 | 16.2 | 6.8  |
| <b>SMS6GE5</b>                            | <b>SMS6SE5K9</b>                              | <b>6</b>                  | <b>0</b>                            | 19.0 |      | 24.5 |      |      |      | 11.9 |
| <b>SMS12GE5</b>                           | <b>SMS12SE5K9</b>                             | <b>12</b>                 | <b>6</b>                            | 21.6 |      | 29.5 | 35.2 | 29.2 | 21.2 | 17.2 |
| <b>SMS18GE5</b>                           | <b>SMS18SE5K9</b>                             | <b>18</b>                 | <b>10</b>                           |      |      |      | 45.4 | 39.4 | 31.2 |      |

For other platings: see plating table

## Right angle boardmount with male contacts (SMS--GE6 / SMS--SE6K9)

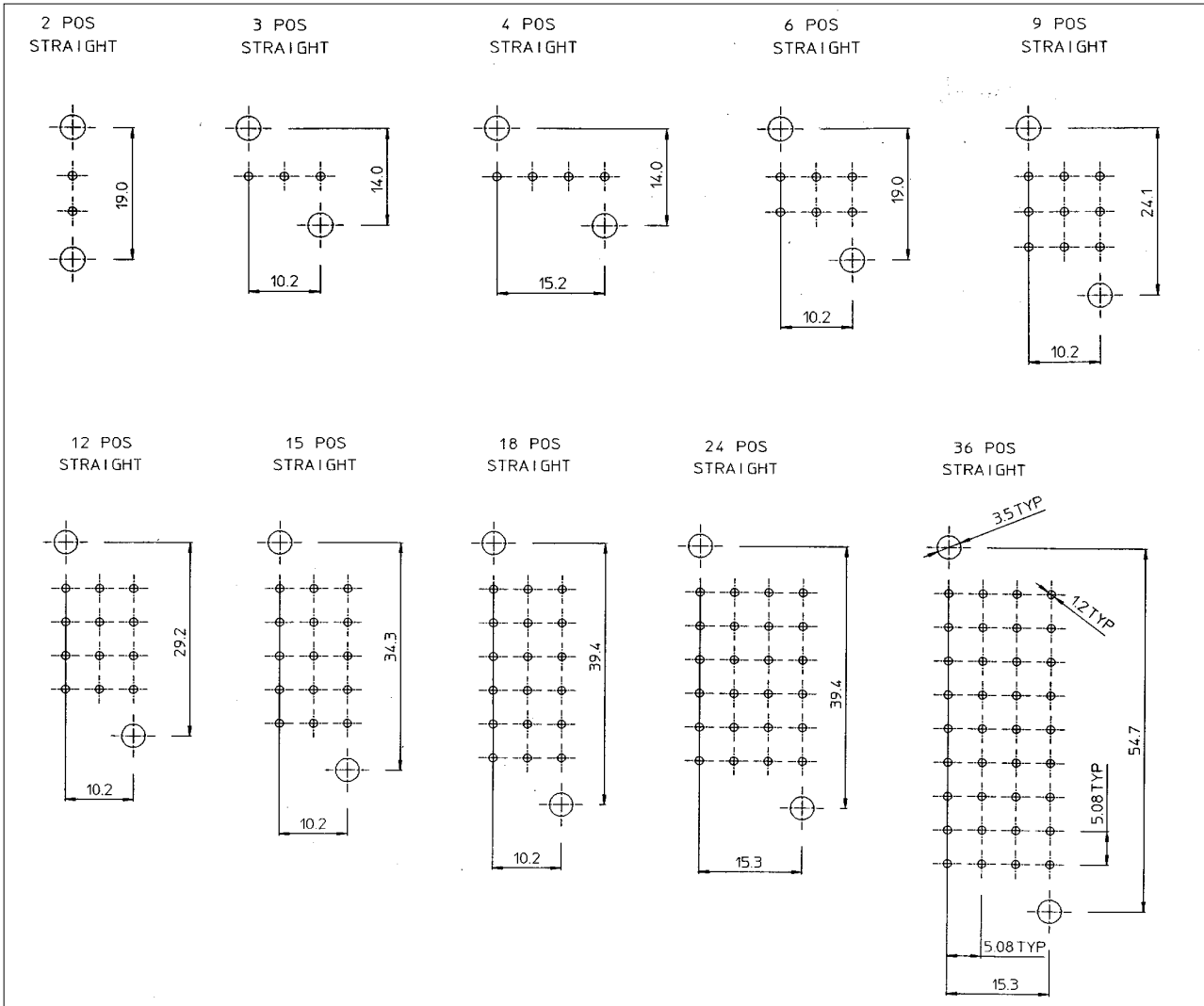


| Part number<br>Solid machined<br>contacts | Part number<br>Stamped and<br>formed contacts | Number of<br>contact pos. | Number of<br>discrimination<br>pos. | A    | B    | C    | D    | E    | F    | G    |
|---|---|---------------------------|-------------------------------------|------|------|------|------|------|------|------|
| <b>SMS3GE6</b>                            | <b>SMS3SE6K9</b>                              | <b>3</b>                  | <b>0</b>                            | 16.5 | 14.4 | 20.5 | 30.2 | 24.2 | 16.2 | 6.8  |
| <b>SMS6GE6</b>                            | <b>SMS6SE6K9</b>                              | <b>6</b>                  | <b>0</b>                            | 19.0 |      | 24.5 |      |      |      | 11.9 |
| <b>SMS12GE6</b>                           | <b>SMS12SE6K9</b>                             | <b>12</b>                 | <b>6</b>                            | 21.6 |      | 29.5 | 35.2 | 29.2 | 21.2 | 17.2 |
| <b>SMS18GE6</b>                           | <b>SMS18SE6K9</b>                             | <b>18</b>                 | <b>10</b>                           |      |      |      | 45.4 | 39.4 | 31.2 |      |

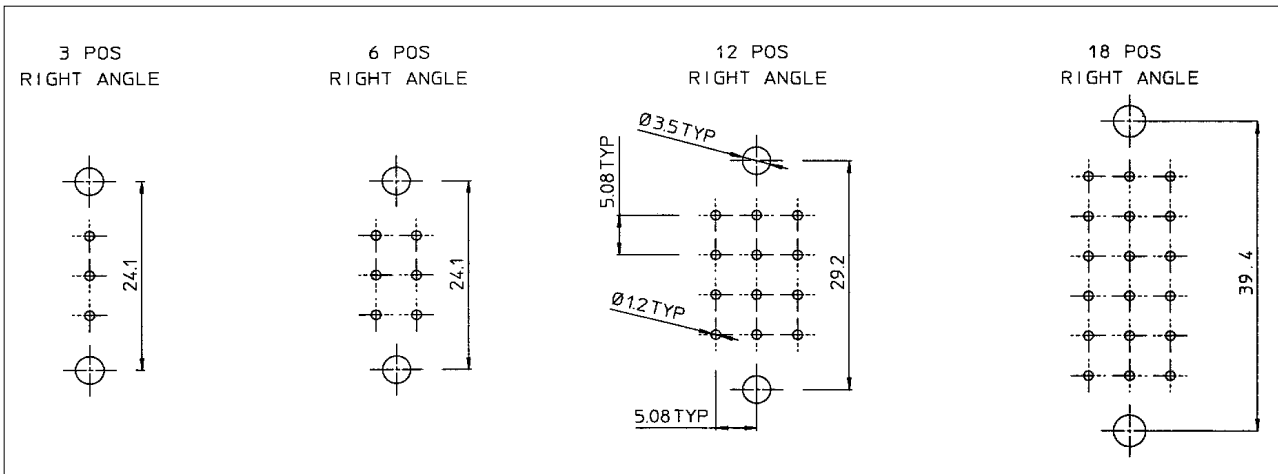
For other platings: see plating table



## Recommended PC-Board hole lay out for straight male and female boardmount connectors



## Recommended PC-Board hole lay out for right-angled male and female boardmount connectors



# SMS – Qikmate Pin Header



## Qikmate PC boardmount Pin Headers and plugs

### Description

Qikmate Pin Header, available in 3, 4, 6, 9 and 10 positions, provides the additional versatility of straight and right angle board mounting.

Offered as an alternative to stacked connectors, the in-line contact design of the pin header provides the user with significant PC board space savings.

The boardmount receptacle features positive polarization and a moulded on pin protection skirt and is supplied preassembled with straight or right angled:

- Solid machined or stamped and formed PC board pin contacts.
- Coax PC board pin contacts.

The socket cable plug features positive quick connect / disconnect latches and is designed to accept N° 16 TRIM TRIO .0625" (1.6mm) diameter socket contacts for maximum contact protection.

### Features and benefits

- Available in 3, 4, 6, 9 and 10 positions.
- In-line contact design, offering significant PC board space savings.
- Boardmount connectors available in straight and right-angled version preassembled with:
  - Solid machined or stamped and formed pin contacts.
  - Coax pin contacts.
- UL recognized File Nr.: E238675

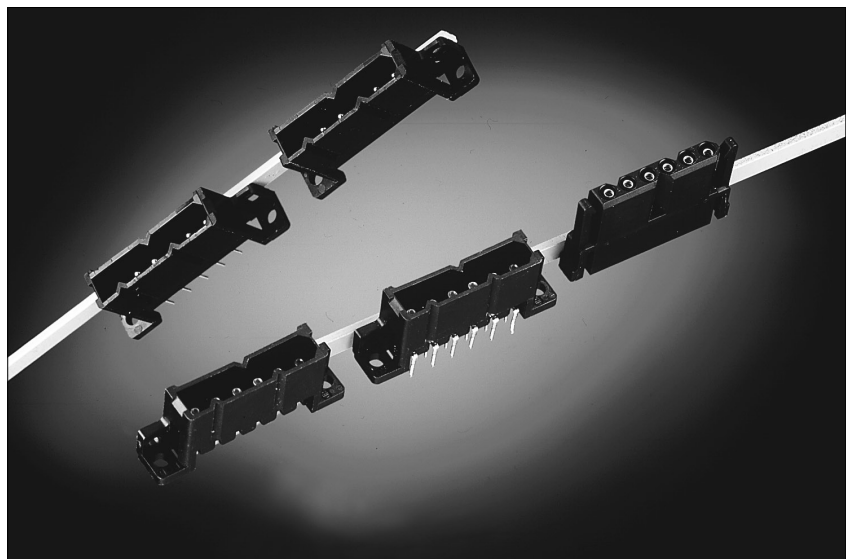
### Construction

Connector body:

Glass filled thermoplast UL94-V0

Colour: Black

Contacts: High conductive copper alloy



### Performance characteristics

|                        |   |
|------------------------|---|
| Operating temperature: | -55°C to +125°C   |
| Insulation resistance: | 5000 MΩ min.  |
| Test potential:        | 2000 VAC  |
| Current rating:        | 5 Amp for stamped contacts<br>7.5 Amp for machined contacts |
| Durability:            | 500 matings and unmatings.                                  |

### Intermateability

- "SMS" Socket plugs accept TRIM TRIO size 16 removable snap-lock contacts (see contact section)
- Contacts to be ordered separately.

### Plating table

Plating for solid machined contacts:

**No digit (std)** = Min. 0.4μ Gold all over, over Nickel.

T = 3 - 5μ Tin all over

Plating for Stamped and formed contacts :

D28 = Min. 0.75μ Au over nickel.

D70 = Gold flash all over

TR29 = 1.2μ Pre-plated Tin all over.

Plating for coax contacts:

Z17 = Min. 0.75μ Au in contact area,

Flash on solder tail (inner)

Min 0.75μ Au in contact area,

Tin on solder tail (outer)

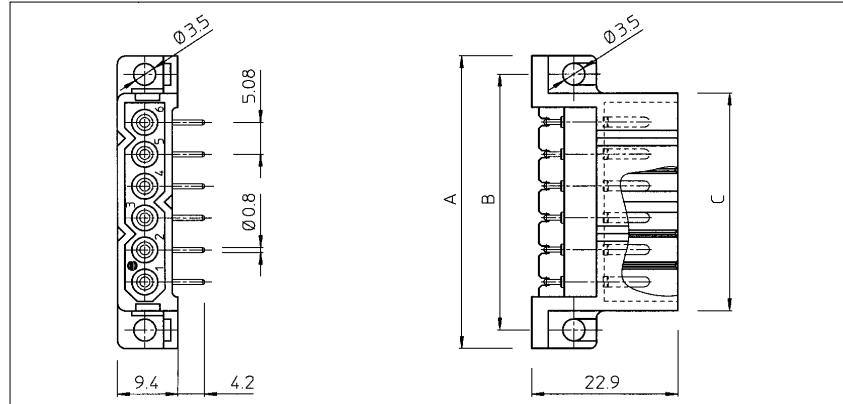
## How to order

| Connector family           | SMS         | 9   | PH | 3 | TR29 |
|----------------------------|-------------|---|----|---|------|
|                            | SMS         | 9   | CH | 1 | Z17  |
|                            | SMS         | 9   | P3 | - | -    |
| <b>Contact arrangement</b> |             |   |    |   |      |
| <b>Contact type:</b>       | <b>PH:</b>  | Pin header boardmount.  |    |   |      |
|                            | <b>CH:</b>  | Coax header boardmount.                                       |    |   |      |
|                            | <b>P3:</b>  | Socket cable plug for pin and coax boardmount header.         |    |   |      |
| <b>Design variation:</b>   | <b>1:</b>   | Right angle coax header boardmount with male contacts.        |    |   |      |
|                            | <b>2:</b>   | Straight coax header boardmount with male contacts            |    |   |      |
|                            | <b>3:</b>   | Right angle pin header boardmount with stamped male contacts  |    |   |      |
|                            | <b>4:</b>   | Straight pin header boardmount with stamped male contacts     |    |   |      |
|                            | <b>GE6:</b> | Right angle pin header boardmount with machined male contacts |    |   |      |
|                            | <b>GE4:</b> | Straight pin header boardmount with machined male contacts    |    |   |      |
| <b>Plating indication</b>  |             |   |    |   |      |

# SMS – Qikmate Pin Header



## Right angle pin header boardmount with male contacts (SMS--PH3 / SMS--PHGE6)

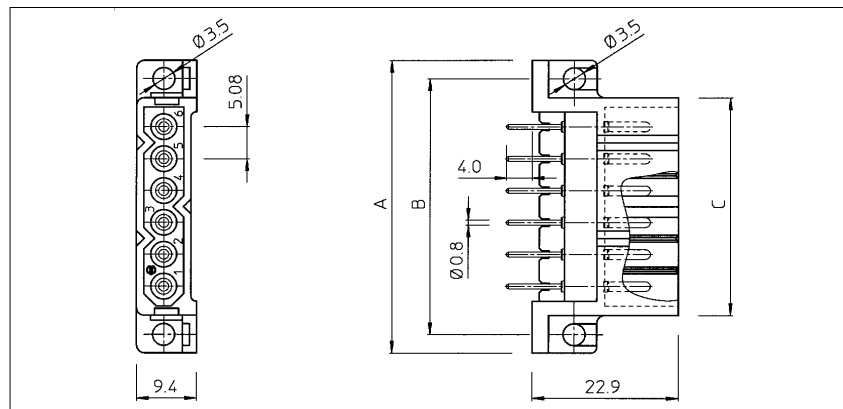


| Part number Stamped and formed contacts | Part number Solid machined contacts | Number of contact positions | A    | B    | C    |
|---|-------------------------------------|-----------------------------|------|------|------|
| SMS3PH3TR29                             | SMS3PHGE6                           | 3                           | 31.2 | 25.4 | 19.3 |
| SMS4PH3TR29                             | SMS4PHGE6                           | 4                           | 36.3 | 30.4 | 24.4 |
| SMS6PH3TR29                             | SMS6PHGE6                           | 6                           | 46.5 | 40.6 | 34.5 |
| SMS9PH3TR29                             | SMS9PHGE6                           | 9                           | 61.7 | 55.9 | 49.8 |
| SMS10PH3TR29                            | SMS10PHGE6                          | 10                          | 66.8 | 61.0 | 54.9 |

For other platings: see plating table.

Other solder tail lengths on request

## Straight pin header boardmount with male contacts (SMS--PH4 / SMS--PHGE4)



| Part number Stamped and formed contacts | Part number Solid machined contacts | Number of contact positions | A    | B    | C    |
|---|-------------------------------------|-----------------------------|------|------|------|
| SMS3PH4TR29                             | SMS3PHGE4                           | 3                           | 31.2 | 25.4 | 19.3 |
| SMS4PH4TR29                             | SMS4PHGE4                           | 4                           | 36.3 | 30.4 | 24.4 |
| SMS6PH4TR29                             | SMS6PHGE4                           | 6                           | 46.5 | 40.6 | 34.5 |
| SMS9PH4TR29                             | SMS9PHGE4                           | 9                           | 61.7 | 55.9 | 49.8 |
| SMS10PH4TR29                            | SMS10PHGE4                          | 10                          | 66.8 | 61.0 | 54.9 |

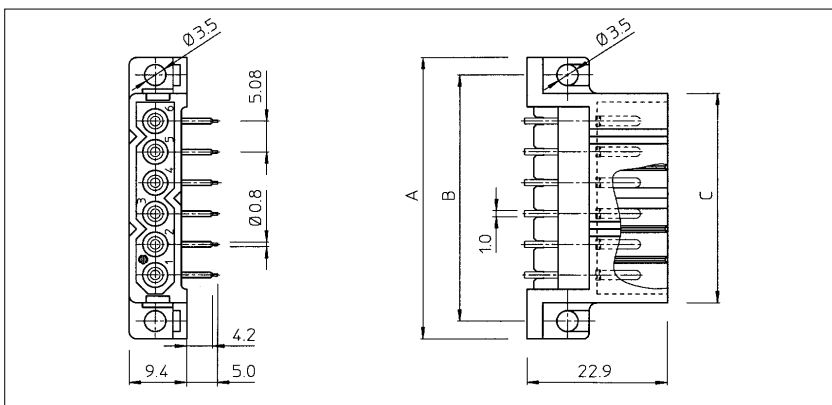
For other platings: see plating table.

Other solder tail lengths on request

# SMS – Qikmate Pin Header



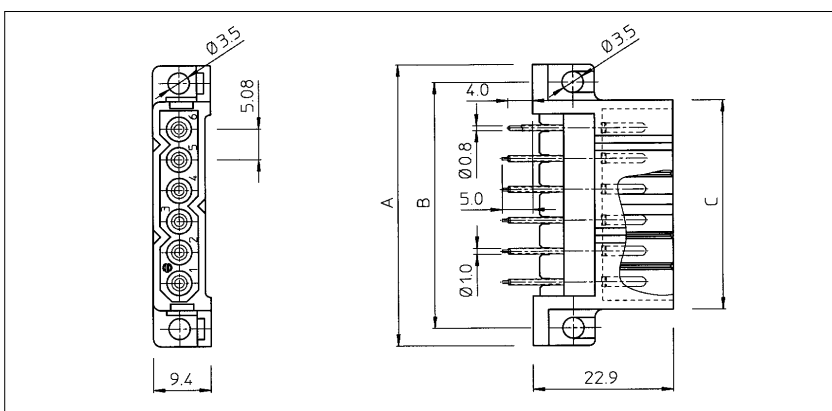
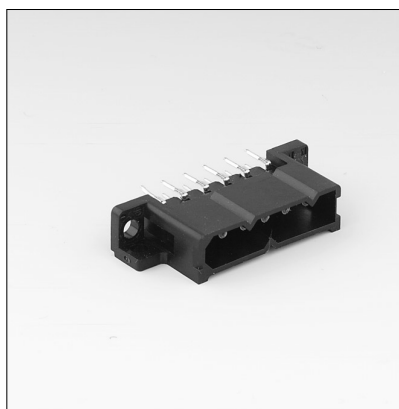
## Right angle coax header boardmount with male contacts (SMS--CH1Z17)



| Part number positions | Number of contact | A    | B    | C    |
|-----------------------|-------------------|------|------|------|
| <b>SMS3CH1Z17</b>     | <b>3</b>          | 31.2 | 25.4 | 19.3 |
| <b>SMS4CH1Z17</b>     | <b>4</b>          | 36.3 | 30.4 | 24.4 |
| <b>SMS6CH1Z17</b>     | <b>6</b>          | 46.5 | 40.6 | 34.5 |
| <b>SMS9CH1Z17</b>     | <b>9</b>          | 61.7 | 55.9 | 49.8 |
| <b>SMS10CH1Z17</b>    | <b>10</b>         | 66.8 | 61.0 | 54.9 |

For plating spec.: see plating table.

## Straight coax header boardmount with male contacts (SMS--CH2Z17)



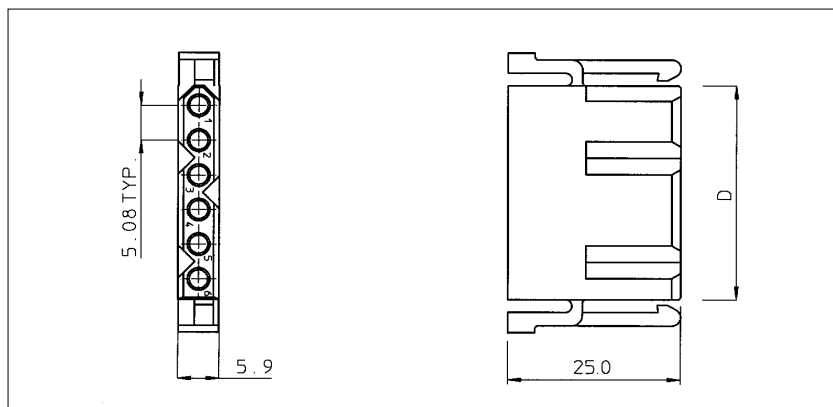
| Part number positions | Number of contact | A    | B    | C    |
|-----------------------|-------------------|------|------|------|
| <b>SMS3CH2Z17</b>     | <b>3</b>          | 31.2 | 25.4 | 19.3 |
| <b>SMS4CH2Z17</b>     | <b>4</b>          | 36.3 | 30.4 | 24.4 |
| <b>SMS6CH2Z17</b>     | <b>6</b>          | 46.5 | 40.6 | 34.5 |
| <b>SMS9CH2Z17</b>     | <b>9</b>          | 61.7 | 55.9 | 49.8 |
| <b>SMS10CH2Z17</b>    | <b>10</b>         | 66.8 | 61.0 | 54.9 |

For plating spec.: see plating table.

# SMS – Qikmate Pin Header

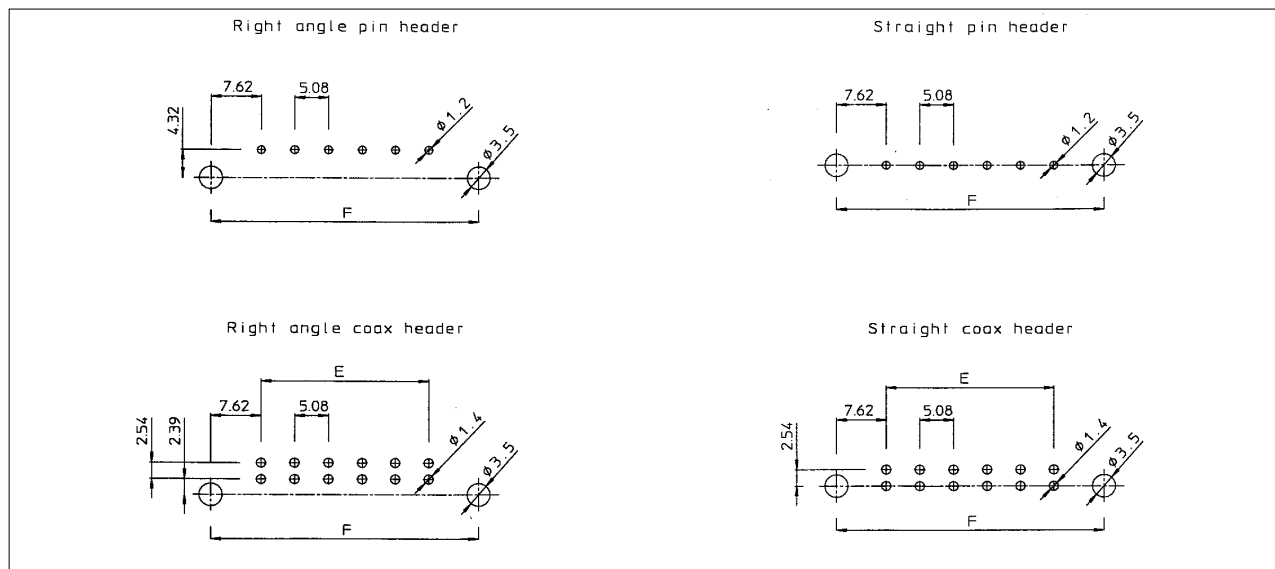


## Socket cable plug for pin and coax boardmount header (SMS--P3)



| Part number | Number of contact positions | D    |
|-------------|-----------------------------|------|
| SMS3P3      | 3                           | 16.0 |
| SMS4P3      | 4                           | 21.1 |
| SMS6P3      | 6                           | 31.2 |
| SMS9P3      | 9                           | 46.5 |
| SMS10P3     | 10                          | 51.6 |

## Recommended PC-board hole layouts



| Part number of contact positions | E     | F     |
|----------------------------------|-------|-------|
| 3                                | 10.18 | 25.40 |
| 4                                | 15.24 | 30.48 |
| 6                                | 25.40 | 40.64 |
| 9                                | 40.64 | 55.88 |
| 10                               | 45.72 | 60.96 |