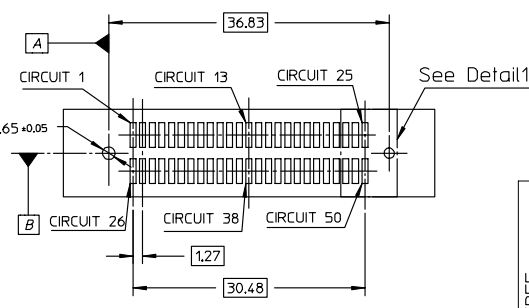


- NOTES:
- MATERIAL:
 - 1-1 HOUSING: LIQUID CRYSTAL POLYMER(LCP), GLASS FIBER FILLED, UL94 V-0, COLOR: BLACK
 - 1-2 TERMINAL: COPPER ALLOY
 - TERMINAL FINISH:
 - 15μ GOLD PLATING ON CONTACT AREA
 - 150μ PURE TIN ALLOY ON SOLDER TAIL AREA
 - 50μ NICKEL(Ni) OVERALL
 - RECOMMENDED CARD THICKNESS OF CONNECTING AREA: 3.3mm +/- 0.1mm
 - RECOMMENDED CARD WIDTH : 42.8mm +/- 0.1mm
 - △ THE DIMENSION APPLIES TO CIRCUIT NUMBERS: 1 , 13 , 38 AND 50
 - △ THE DIMENSION APPLIES TO OTHER CIRCUIT NUMBERS EXCEPT FOR 1 , 13 , 38 , 50 , 25 , 26
 - △ THE DIMENSION APPLIES TO CIRCUIT NUMBERS : 25 AND 26
 - 8 PIN DIAMETER IS 0.44±0.02
 - 9 TOTAL COPLANARITY OF SOLDER TAILS AND NAILS TO BE 0.10mm MAX
 - 10 PRODUCT SPECIFICATION: PS-47026-001
 - 11 PACKING METHOD: TUBE



LEAD FREE EC NO. SH2005-0188 DRW: X.YU 2005/04/06 CHK: Y.WU 2005/04/05 APPR: Y.TAP 2005/04/05 A REV	QUALITY SYMBOLS	GENERAL TOLERANCES (UNLESS SPECIFIED)	DIMENSION STYLE	SCALE	DESIGN UNITS	THIRD ANGLE PROJECTION
	▽=0	mm INCH	MM ONLY	2:1	METRIC	
	▽=0	4 PLACES ± --- ± ---	DRAWN BY	TITLE		
		3 PLACES ± --- ± ---	XU XIANG 2004-12-13	ASSEMBLY		
	2 PLACES ± 0.2 ± ---	CHECKED BY	VERTICAL SMT CF CARD			
	1 PLACE ± --- ± ---	RAY 2004-12-13	50P HEADER TYPE I			
	ANGULAR ±1/2°	APPROVED BY	MOLEX INCORPORATED			
		VINCENT 2004-12-13	MOLEX INCORPORATED			
	DRAFT WHERE APPLICABLE MUST REMAIN WITHIN DIMENSIONS	MATERIAL NO.	DOCUMENT NO.			
		470260011	SD-47026-011			
		SIZE	THIS DRAWING CONTAINS INFORMATION THAT IS PROPRIETARY TO MOLEX INCORPORATED AND SHOULD NOT BE USED WITHOUT WRITTEN PERMISSION			
		A3	SHEET NO. 1 OF 1			