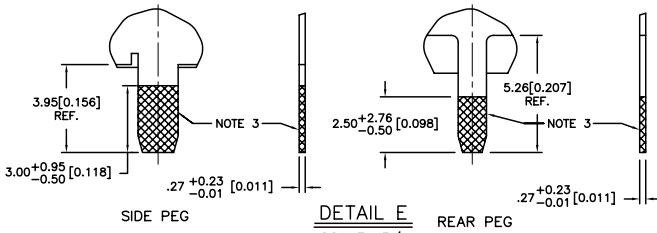
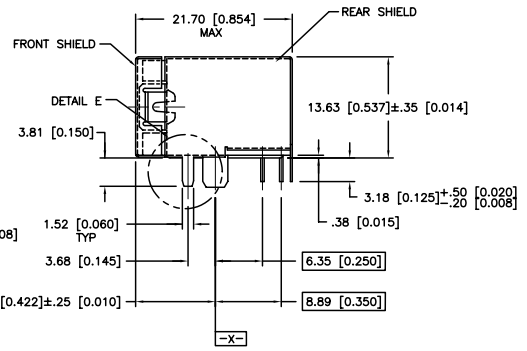
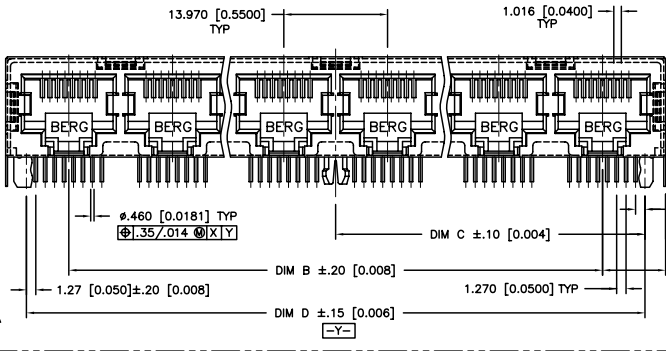
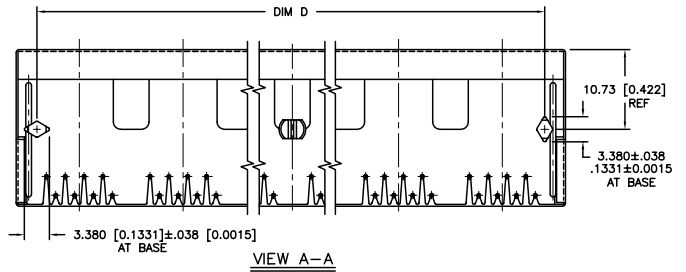
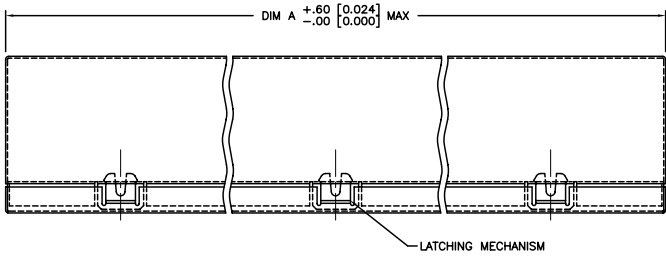


Tous droits strictement réservés. Reproduction ou communication à des tiers interdite sous quelque forme que ce soit sans autorisation écrite du Propriétaire de c FCI. Droits de reproduction FCI.

All rights strictly reserved. Reproduction or issue to third parties in any form whatever is not permitted without written authority from the proprietor. Property of FCI. Copyright FCI.

PRODUCT NO.
SEE TABLE



| mat'l. code | | tolerances unless otherwise specified | | | | CUSTOMER COPY | FCI | | www.fciconnect.com | |
|-------------|----------------|---------------------------------------|----------|--------|-------------------------|---------------|-----|--|--|--|
| ltr | ecn no | dr | date | linear | .X ± .3 / .XX.01 | projection | | | title R/A, 8 POS GANG JACK ASSY SHIELDED, DIAMOND PEG, 1 GRND LEG ON BACK, W/O GRND TAB ON FRONT | |
| A | T40241 | CF | 11/15/94 | | .XX ± .13 / .XXX.005 | MM/INCH | | | product family MOD JACK code | |
| B | V60146 | GAH | 2/22/96 | | XXX ± .051 / .XXXX.0020 | scale | | | size dwg no | |
| C | T80199 | RGD | 6/29/98 | angles | 0° ± 2' | 1:1 | | | 95557 sheet 1 of 3 | |
| D | M05-0074 | MHT | 4/23/05 | dr | C.L.FENG 11/15/94 | | | | cage code 22526 | |
| | | | | engr | TC 11/15/94 | | | | | |
| | | | | chr | J.TSAO 11/15/94 | | | | | |
| | | | | appd | J.TSAO 11/15/94 | | | | | |
| sheet index | revision sheet | D | D | C | | | | | | |
| | | 1 | 2 | 3 | | | | | | |

form no. 7530-001-103

PDM: Rev:D STATUS:Released Printed: Feb 19, 2008

Tous droits strictement réservés. Reproduction ou communication à des tiers interdite sous quelque forme que ce soit sans autorisation écrite du Propriétaire de FCI. Droits de reproduction FCI.

All rights strictly reserved. Reproduction or issue to third parties in any form whatever is not permitted without written authority from the Proprietor. Property of FCI. Copyright FCI.

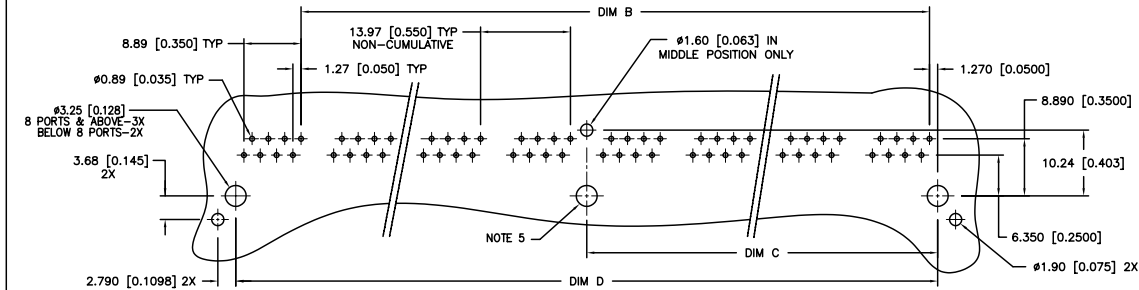
| PRODUCT No. NOTE 6 | NO OF PORTS | DIM A ⁺⁶⁰ [0.024] -0 | DIM B | DIM C ±.10 [0.004] | DIM D ±.15 [0.006] | |
|---|-------------|------------------------------------|----------------|--------------------|--------------------|------------|
| 95557-X02 95557-X02M 95557-X02NLF | 2 | 30.98 [1.220] | 13.97 [0.550] | 12.700 [0.5000] | 25.40 [1.000] | |
| 95557-X03 95557-X03M 95557-X03NLF | 3 | 44.95 [1.770] | 27.94 [1.100] | 19.685 [0.7750] | 39.37 [1.550] | NOT TOOLED |
| 95557-X04 95557-X04M 95557-X04NLF | 4 | 58.92 [2.320] | 41.91 [1.650] | 26.670 [1.0500] | 53.34 [2.100] | |
| 95557-X05 95557-X05M 95557-X05NLF | 5 | 72.89 [2.870] | 55.88 [2.200] | 33.655 [1.3250] | 67.31 [2.650] | NOT TOOLED |
| 95557-X06 95557-X06M 95557-X06NLF | 6 | 86.86 [3.420] | 69.85 [2.750] | 40.640 [1.6000] | 81.28 [3.200] | |
| 95557-X07 95557-X07M 95557-X07NLF | 7 | 100.83 [3.970] | 83.82 [3.300] | 47.625 [1.8750] | 95.25 [3.750] | NOT TOOLED |
| 95557-X08 95557-X08M 95557-X08NLF | 8 | 114.80 [4.520] | 97.79 [3.850] | 54.610 [2.1500] | 109.22 [4.300] | |
| 95557-X09 95557-X09M 95557-X09NLF | 9 | 128.77 [5.070] | 111.76 [4.400] | 61.595 [2.4250] | 123.19 [4.850] | NOT TOOLED |
| 95557-X10 95557-X10M 95557-X10NLF | 10 | 142.74 [5.620] | 125.73 [4.950] | 68.580 [2.7000] | 137.16 [5.400] | NOT TOOLED |
| 95557-X11 95557-X11M 95557-X11NLF | 11 | 156.71 [6.170] | 139.70 [5.500] | 75.565 [2.9750] | 151.13 [5.950] | NOT TOOLED |
| 95557-X12 95557-X12M 95557-X12NLF | 12 | 170.68 [6.720] | 153.67 [6.050] | 82.550 [3.2500] | 165.10 [6.500] | NOT TOOLED |

NOTES:

1. RECOMMENDED P.C.B THICKNESS 1.60 [0.063].
2. CONTACTS: PHOS BRONZE ALLOY UNS-C51000, # 0.460 [0.0181] ROUND WIRE. PLATING SEE TABLE.
3. SHIELDING MATERIAL: 0.25MM THICK COPPER ALLOY. SHIELDING PLATING:
 - a. FOR 95557-XXX/XXXM PLATING: 100u" MIN. TIN-LEAD PLATED.
 - b. FOR 95557-XXXLF/XXXMLF PLATING: 100u" MIN. PURE TIN PLATED.
 - c. FOR 95557-XXXNLF PLATING: 30u" MIN. NICKEL PLATED.
4. ALL DIMENSIONS IN MILLIMETERS/INCHES.
5. CENTER PEG FOR 8 PORTS AND ABOVE. (-X02M THRU -X12M, -X02MLF THRU -X12MLF PRODUCT ONLY)
6. ADD LF SUFFIX AT THE END OF PART NUMBER -XXX & -XXXM FOR LEAD FREE OPTION.
7. THE HOUSING WILL WITHSTAND EXPOSURE TO 260°C PEAK TEMPERATURE FOR 15 SECONDS IN A WAVE SOLDER APPLICATION WITH A 1.5mm MINIMUM THICK CIRCUIT BOARD. SEE APPLICATION NOTES/PROCEDURES IF THEY ARE AVAILABLE.
8. THIS PRODUCT MEETS EUROPEAN UNION DIRECTIVES AND OTHER COUNTRY REGULATION AS DESCRIBED IN GS-22-008.
9. PLATING OPTIONS: MAY BE EITHER GOLD OR GXT PLATED AT MANUFACTURER'S OPTION.

RECOMMENDED PC BOARD LAYOUT

AS VIEWED FROM TOP SIDE (COMPONENT SIDE)
(2 THRU 12 PORTS)



| mat'l. code | | | | tolerances unless otherwise specified | | CUSTOMER COPY | | A FCI www.fciconnect.com | |
|-------------|----------------|----|------|---------------------------------------|---------------------|---------------|---------|--|----------|
| lfr | ecn no | dr | date | linear | .XX±.13/.XXX.005 | projection | MM/INCH | title R/A, 8 POS GANG JACK ASSY SHIELDED, DIAMOND PEG, 1 GRND LEG ON BACK, W/O GRND TAB ON FRONT | |
| D | | | | angles | XXX±.051/.XXXX.0020 | ⑨ | | product family | MOD JACK |
| | | | | dr | C.L.FENG 11/15/94 | MM/INCH | | size | dwg no |
| | | | | enrg | TC 11/15/94 | scale | 1:1 | A4 | 95557 |
| | | | | chr | J.TSAO 11/15/94 | | | | code |
| | | | | appd | J.TSAO 11/15/94 | | | | sheet |
| sheet index | revision sheet | | | | | | | | 2 of |
| | | | | | | | | cage code | 22526 |

form no. 7530-001-103

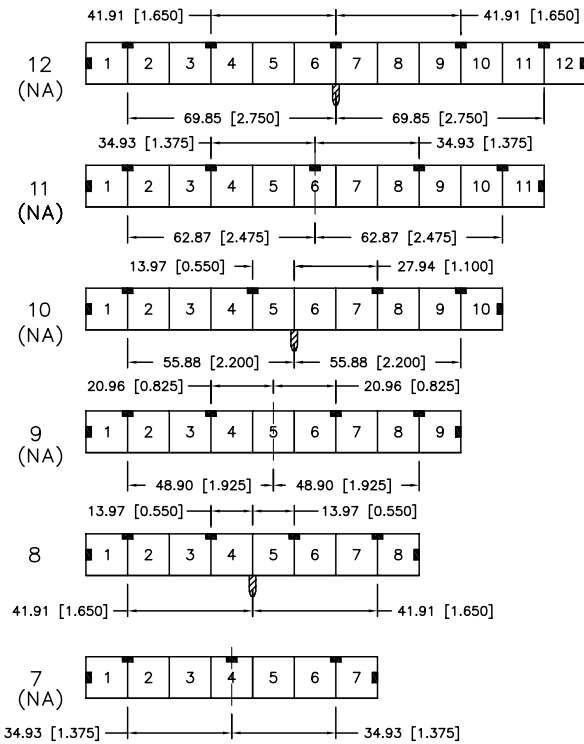
Tous droits strictement réservés. Reproduction ou communication à des tiers interdite sous quelque forme que ce soit sans autorisation écrite de la propriété de c FCI. Droits de reproduction FCI.

All rights strictly reserved. Reproduction or issue to third parties in any form whatsoever is not permitted without written authority from the proprietor. Property of FCI. Copyright FCI.

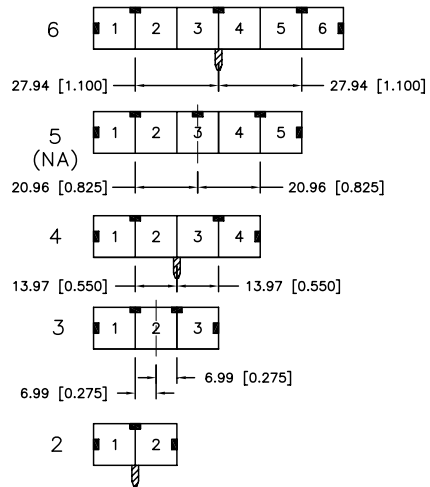
LATCHING AND GROUNDING TAB LOCATING CONFIGURATION

■ INDICATES LATCHING TAB (SEE SHEET 1)
 ▨ INDICATES GROUNDING LEG ON THE BACK OF PRODUCT (VIEW B)
 (NA) NOT AVAILABLE

PORT NUMBERS



PORT NUMBERS



| | | | | | | | |
|-------------|----------------|---------------------------------------|------|---------------|---------------------|------------------------|--|
| mat'l. code | | tolerances unless otherwise specified | | CUSTOMER COPY | | FCI www.fciconnect.com | |
| ltr | ecn no | dr | date | linear | .XX±.13/.XXX.005 | projection | title R/A, 8 POS GANG JACK ASSY |
| c | | | | angles | XXX±.051/.XXXX.0020 | MM/INCH | SHIELDED, DIAMOND PEG, 1 GRND LEG ON BACK, W/O GRND TAB ON FRONT |
| | | | | dr | C.L.FENG 11/15/94 | scale | product family MOD JACK |
| | | | | enrg | TC 11/15/94 | 1:1 | size dwg no |
| | | | | chr | J.TSAO 11/15/94 | | A4 95557 |
| | | | | appd | J.TSAO 11/15/94 | | code |
| sheet index | revision sheet | | | | | | sheet 3 of |

form no. 7530-001-103

cage code 22526