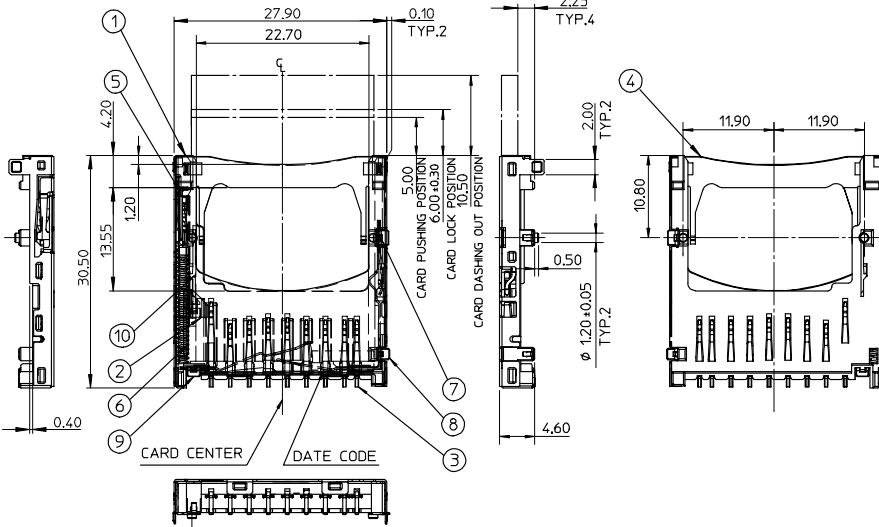
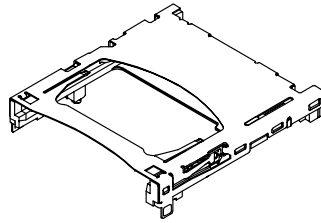
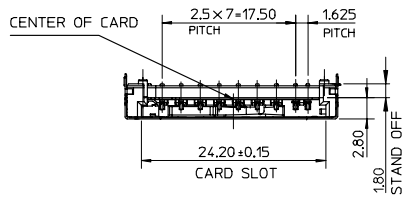


10 9 8 7 6 5 4 3 2 1



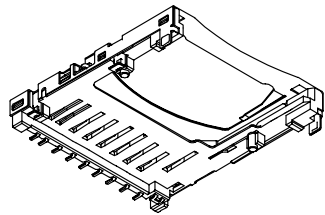
- NOTES:
 1. TERMINAL AND NAIL COPLANARITY TO BE 0.1 MAX.
 2. WHEN DELIVERING, THE PUSH/PUSH MECHANISM IS IN THE STATE OF THE UNLOCK, (CARD DASHING OUT POSITION)
 3. CARD READ ONLY BY THE TIME THE CARD DETECTION SWITCH WORKS.
 4. OPENING AND CLOSE OF EACH SWITCH.

CARD INSERTION STATUS	WRITE PROTECT SWITCH		DETECT SWITCH
	WRITE PROTECT POSITION	WRITE ENABLE POSITION	
CARD UNINSERTION	OPEN	OPEN	OPEN
CARD HALF INSERTION	CLOSE	CLOSE	OPEN
CARD INSERTION	OPEN	CLOSE	CLOSE

5. MATERIAL AND FINISH AS BELOW

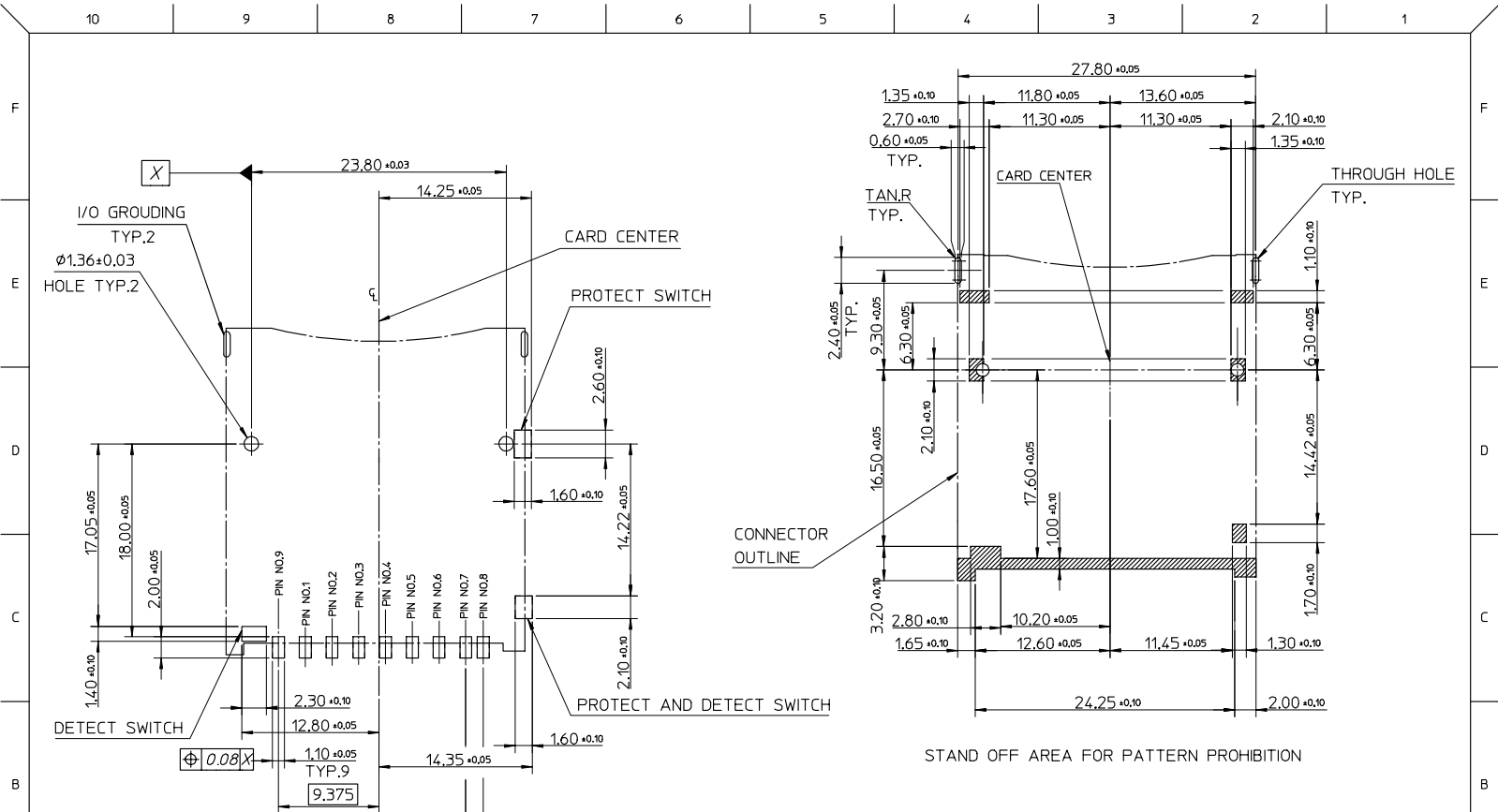
NO	NAME	QT'Y	MATERIAL
1	HOUSING	1	LCP,UJL 94V-0,COLOR:BLACK
2	HEART CAM	1	LCP,UJL 94V-0,COLOR:BLACK
3	TERMINAL	9	COPPER ALLOY,SELECTIVE AU PLATING
4	METAL SHELL	1	STAINLESS STEEL
5	PIN	1	STAINLESS STEEL
6	SPRING	1	STEEL WIRE
7	PROTECT TERMINAL	1	COPPER ALLOY, SELECTIVE Au PLATING
8	PROTECT AND DETECT TERMINAL	1	COPPER ALLOY, SELECTIVE Au PLATING
9	DETECT TERMINAL	1	COPPER ALLOY, SELECTIVE Au PLATING
10	CARD LOCK	1	STAINLESS STEEL

6. PRODUCT SPECIFICATION : PER PS-67840-001
 7. I/O CONTACTS, BASE ON SD I/O ASSOC. REV. G.
 8. THIS HAS A LOCK MECHANISM FOR SD CARD.IT DOES NOT WORK FOR THE MMC. CARD AT LOCK POSITION, IF PULLED OUT MANUALLY. THE NEXT CARD INSERTED WILL BE EJECTED.
 9. RECOMMENED P.C.BOARD THICKNESS: 0.8±0.1



NEW RELEASE EC NO: DRWN: QIZHANG 2005/01/27 CHKD: HARVEY APPR: A	QUALITY SYMBOLS	GENERAL TOLERANCES (UNLESS SPECIFIED)	SCALE 2:1	DESIGN UNITS METRIC	THIRD ANGLE PROJECTION	REVISE ON CAD ONLY
	DESCRIPTION	mm	INCH	DIMENSION STYLE MM ONLY		TITLE SD/I/O MEMORY CARD CONN. ASS'Y (NORMAL TYPE 1.8 MM STAND OFF, LEAD-FREE)
		4 PLACES ± --- ± ---		DRAWN BY QIZHANG	DATE 2004/12/06	
		3 PLACES ± --- ± ---		CHECKED BY	DATE	
2 PLACES ± 0.25 ± ---		APPROVED BY	DATE	MATERIAL NO. 67840-8004	DOCUMENT NO. SD-67840-008	SHEET NO. 1 OF 3
1 PLACE ± 0.25 ± ---		DRAFT WHERE APPLICABLE MUST REMAIN WITHIN DIMENSIONS		THIS DRAWING CONTAINS INFORMATION THAT IS PROPRIETARY TO MOLEX INCORPORATED AND SHOULD NOT BE USED WITHOUT WRITTEN PERMISSION		

9 8 7 6 5 4 3 2 1



NEW RELEASE EC NO: DRAWN: QLZHANG 2005/01/27 CHKD: HARVEY APPR:	QUALITY SYMBOLS	GENERAL TOLERANCES (UNLESS SPECIFIED)	SCALE 3:1	DESIGN UNITS METRIC	THIRD ANGLE PROJECTION	REVISE ON CAD ONLY
	DESCRIPTION	mm INCH	DIMENSION STYLE MM ONLY		TITLE	
	REV	4 PLACES ± --- ± ---	DRAWN BY QLZHANG	DATE 2004/12/06	SD/IO MEMORY CARD CONN. ASS'Y (NORMAL TYPE 1.8 MM STAND OFF, LEAD-FREE)	
		3 PLACES ± --- ± ---	CHECKED BY	DATE	MOLEX INCORPORATED	
	2 PLACES ± 0.25 ± ---	DRAFT WHERE APPLICABLE MUST REMAIN WITHIN DIMENSIONS		APPROVED BY	MATERIAL NO. 67840-8004	DOCUMENT NO. SD-67840-008
	1 PLACE ± 0.25 ± ---	THIS DRAWING CONTAINS INFORMATION THAT IS PROPRIETARY TO MOLEX INCORPORATED AND SHOULD NOT BE USED WITHOUT WRITTEN PERMISSION		DATE	SHEET NO. 2 OF 3	A3

hb_frame_A3_T_AM_T
rev. B2 2001/10/24