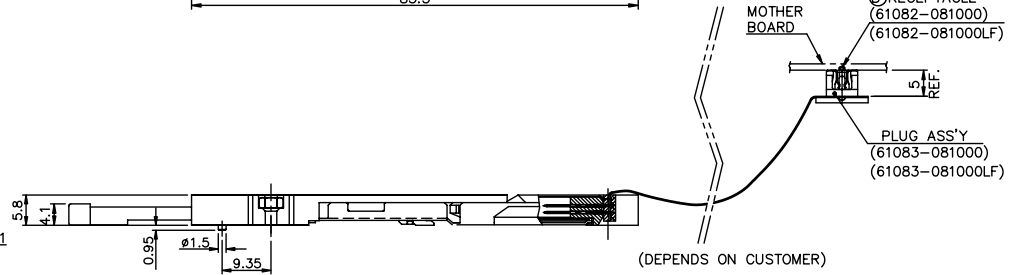
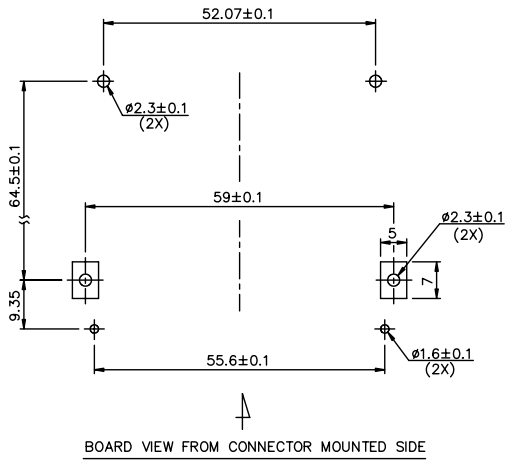
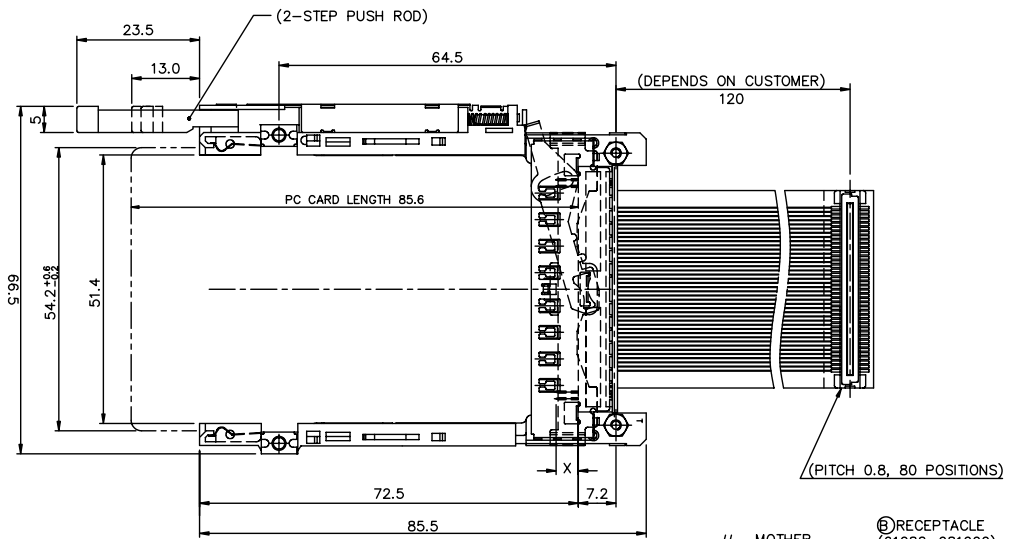
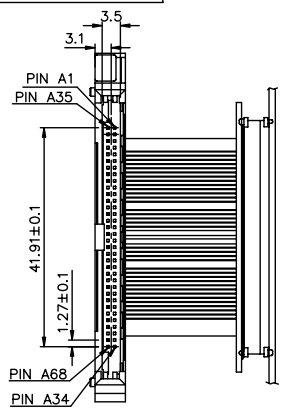


Tous droits strictement réservés. Toute réimpression, reproduction ou communication sans la permission écrite du propriétaire. All rights strictly reserved. Reproduction or communication without the written authority from the proprietor. Copyright BERG ELECTRONICS by

PRODUCT NO.
56443-100CAS/100CASLF



mat'l code		tolerance unless otherwise specified		CUSTOMER COPY	BERG ELECTRONICS FCI	
rev.	ecn no.	dr	date	linear	± 0.30	projection
A	T10254	WL	10/30/01	angles	± 2°	title
B	N05-0152	WB	06/10/03	dr	WENDY CHEN 01/09/01	product family : PCMCIA
				enrg	MINERVA WANG 01/09/01	code
				chr	MINERVA WANG 01/09/01	size
				appd	JENN TSAO 01/09/01	dwg no.
sheet	revision	B	B	unit	mm/inch	product family : PCMCIA
index	sheet	1	2	scale	A3	size
						dwg no.
						56443
						code
						TWN
						sheet
						1 OF 2

PD: Rev:B STATUS Released Printed: Oct 12, 2010

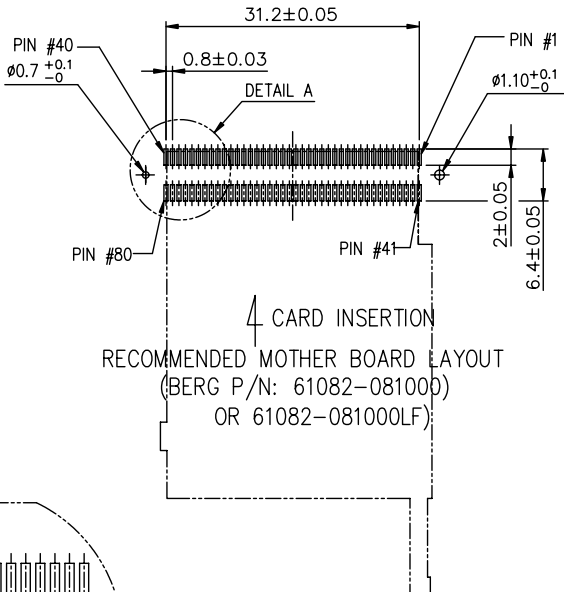
All rights strictly reserved. Reproduction or issue to third parties in any form without the prior written authority from the proprietor.
 Tous droits strictement réservés. Toute réimpression ou communication à des tiers sans autorisation écrite du propriétaire.
 Property of BERG ELECTRONICS.
 Propriété de BERG ELECTRONICS.
 Copyright BERG ELECTRONICS by

HEADER PINOUT	TYPE	BTB 80 POS RECEPTACLE	HEADER PINOUT	TYPE	BTB 80 POS RECEPTACLE
A1	GND	41	A35	GND	1
A2	SIG	42	A36	CD	2
A3	SIG	43	A37	SIG	3
A4	SIG	44	A38	SIG	4
A5	SIG	45	A39	SIG	5
A6	SIG	47	A40	SIG	7
A7	SIG	48	A41	SIG	8
A8	SIG	49	A42	SIG	9
A9	SIG	50	A43	SIG	10
A10	SIG	52	A44	SIG	12
A11	SIG	53	A45	SIG	13
A12	SIG	54	A46	SIG	14
A13	SIG	55	A47	SIG	15
A14	SIG	57	A48	SIG	17
A15	SIG	58	A49	SIG	18
A16	SIG	59	A50	SIG	19
A17	VCC	60	A51	VCC	20
A18	VPP	61	A52	VPP	21
A19	SIG	62	A53	SIG	22
A20	SIG	64	A54	SIG	23
A21	SIG	65	A55	SIG	25
A22	SIG	66	A56	SIG	26
A23	SIG	67	A57	SIG	27
A24	SIG	69	A58	SIG	28
A25	SIG	70	A59	SIG	30
A26	SIG	71	A60	SIG	31
A27	SIG	72	A61	SIG	32
A28	SIG	74	A62	SIG	33
A29	SIG	75	A63	SIG	35
A30	SIG	76	A64	SIG	36
A31	SIG	77	A65	SIG	37
A32	SIG	79	A66	SIG	39
A33	SIG	80	A67	CD	40
A34	GND	78	A68	GND	38

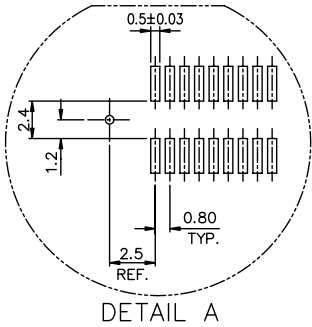
SHIELD PINOUT	TYPE	BTB 80 POS RECEPTACLE	SHIELD PINOUT	TYPE	BTB 80 POS RECEPTACLE
	GND	1		GND	41
	GND	6		GND	46
	GND	11		GND	51
	GND	16		GND	56
	GND	24		GND	63
	GND	29		GND	68
	GND	34		GND	73
	GND	38		GND	78

- NOTES:
- 8.0mm MIN CARD EJECT.
 - EJECT TRAVEL: 9.50mm
 - MATERIAL:
 - EJECT HEADER ASS'Y
 PLASTIC HOUSING: LCP UL94V-0, COLOR: BLACK
 PIN: COPPER ALLOY
 FPC: POLYIMIDE(KAPTON OR EQUIV)
 PLASTIC GUIDE: POLYPHTHARAMID UL94V-0
 COLOR:BLACK
 - PLATE: STAINLESS
 EMI CONTACT: PHOSPHOR BRONZE
 - RECEPTACLE
 PLASTIC: LCP 94V-0 NATURAL
 PIN: BeCu
 - FINISH
 PIN :
 UNDER PLATING: 0.5um MIN. Ni
 CONTACT AREA: 0.1um MIN. GOLD OVER
 0.5um MIN. Pd-Ni
 SOLDER TAIL: 2.5um MIN. Sn-Pb
 2.5um MIN. PURE Sn (-*****LF)
 GROUND SHIELD :
 UNDER PLATING: 0.75um MIN. Ni
 CONTACT SURFACE: 0.2um GOLD MIN. OVER
 PdNi 0.5um MIN.
 - PUSH ROD LOCATION AND P.C.B. ARE AS APPEARS INSTALLED
 - DIM "X"

4.25±0.1	3.5±0.1	5.0±0.1
OTHERS	36,67	1,17,34,35,51,68
 - DO NOT TOUCH AND KEEP CLEAN THE SURFACES OF FPC OF HEADER ASS'Y.
 - IF LEAD FREE P/N. THE HOUSING WILL WITHSTAND EXPOSURE TO 260°C PEAK TEMPERATURE FOR 10 SECONDS IN A WAVE SOLDER APPLICATION WITH A 1.00MM MINIMUM THICK CIRCUIT BOARD.
 - LEAD FREE PRODUCT MEETS EUROPEAN UNION DIRECTIVES AND OTHER COUNTRY REGULATIONS AS DESCRIBED IN GS-22-008
 - IF LEAD FREE P/N. PACKAGING MEETS GS-14-920 SPECIFICATION



4 CARD INSERTION
 RECOMMENDED MOTHER BOARD LAYOUT
 (BERG P/N: 61082-081000)
 OR 61082-081000LF)



ORDERING INFORMATION		
NAME	PART NO.	Q'TY
(A) EJECT HEADER ASS'Y	56443-100CAS/100CASLF	1
(B) MATING RECEPTACLE	61082-081000/081000LF	1

mat'l code	tolerance unless otherwise specified	CUSTOMER COPY		
rev. B	linear ±0.1	projection	title FPC WITH CARDBUS I LAYEROUT & PIN ASSIGNMENT	
ecn no.	angles ± 2°	unit mm/inch	product family : PCMCIA	code TWN
dr	dr WENDY CHEN 01/09/01	scale	size A3	sheet 2 of 2
enrg	enrg MINERVA WANG 01/09/01		dwg no. 56443	
chr	chr JOSEPH HSIA 01/09/01			
appd	appd JOSEPH HSIA 01/09/01			
sheet index	revision sheet			