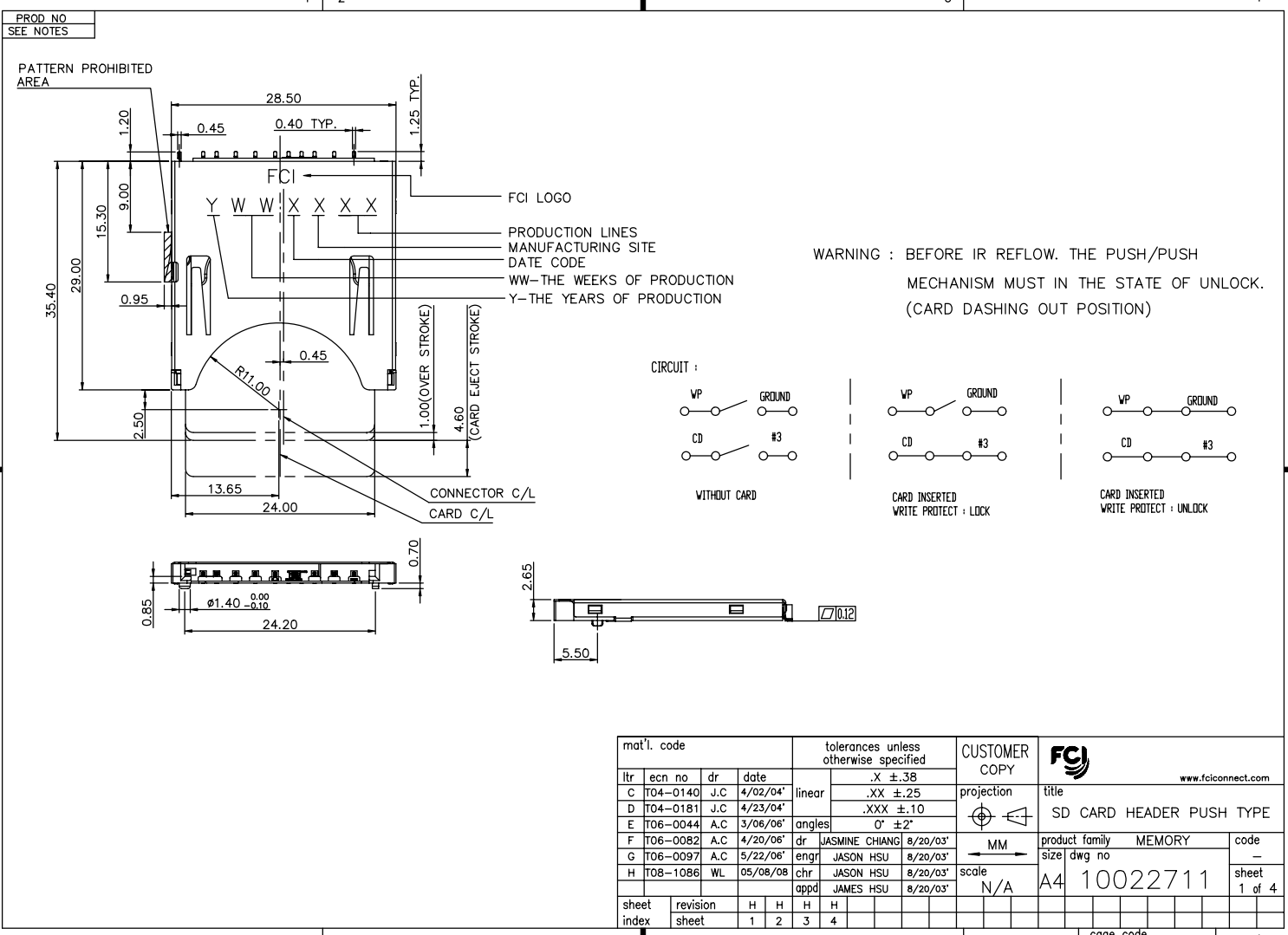


Tous droits strictement réservés. Reproduction ou communication à des tiers interdite sous quelque forme que ce soit sans autorisation écrite du propriétaire. Propriété de c FCI. Droits de reproduction FCI.



All rights strictly reserved. Reproduction or issue to third parties in any form whatever is not permitted without written authority from the proprietor. Property of FCI. Copyright FCI.



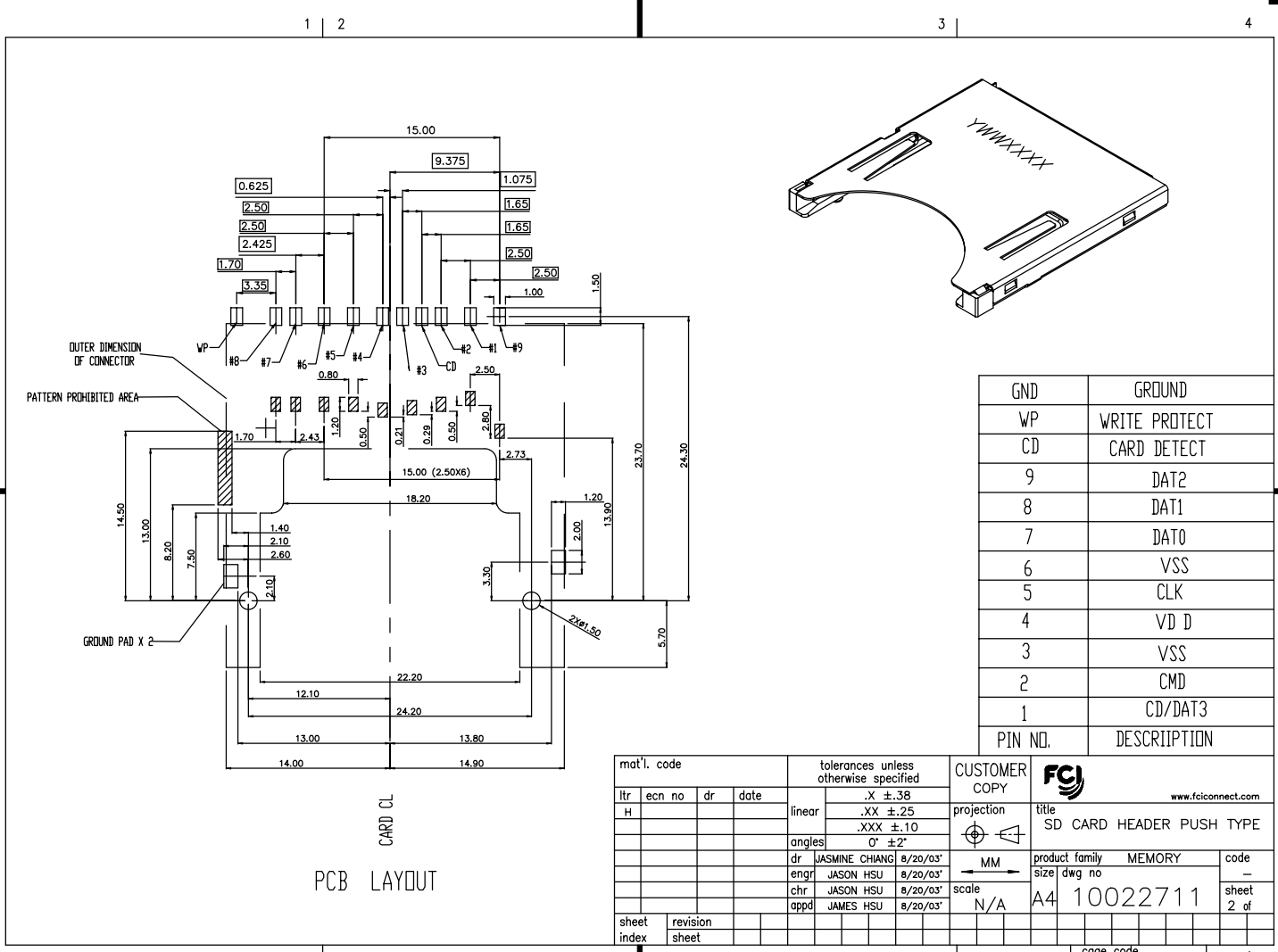
mat'l. code				tolerances unless otherwise specified		CUSTOMER COPY	FCI	www.fciconnect.com	
ltr	ecn no	dr	date	linear	.X ±.38	projection	title		
C	T04-0140	J.C	4/02/04'		.XX ±.25		SD CARD HEADER PUSH TYPE		
D	T04-0181	J.C	4/23/04'		.XXX ±.10		product family MEMORY		
E	T06-0044	A.C	3/06/06'	angles	0° ±2'	MM	size	code	
F	T06-0082	A.C	4/20/06'	dr	JASMINE CHIANG 8/20/03'	N/A	dwg no	sheet	
G	T06-0097	A.C	5/22/06'	enrg	JASON HSU 8/20/03'		A4	10022711	1 of 4
H	T08-1086	WL	05/08/08	chr	JASON HSU 8/20/03'				
				appd	JAMES HSU 8/20/03'				
sheet index	revision sheet	H	H	H	H				
		1	2	3	4				

PDM: Rev:H STATUS Released 22506: Oct 10, 2008

Tous droits strictement réservés. Reproduction ou communication à des tiers interdite sous quelque forme que ce soit sans autorisation écrite du propriétaire. Property of FCJ. Droits de reproduction FCJ.



All rights strictly reserved. Reproduction or issue to third parties in any form whatsoever is not permitted without written authority from the proprietor. Property of FCJ. Copyright FCJ.



GND	GROUND
WP	WRITE PROTECT
CD	CARD DETECT
9	DAT2
8	DAT1
7	DAT0
6	VSS
5	CLK
4	VD D
3	VSS
2	CMD
1	CD/DAT3
PIN NO.	DESCRIPTION

mat'l. code		tolerances unless otherwise specified		CUSTOMER COPY		FCJ	
lfr	ecn no	dr	date	linear	projection	www.fcjconnect.com	
H				.X ±.38	⊕	title	
				.XX ±.25	MM	SD CARD HEADER PUSH TYPE	
				.XXX ±.10		product family MEMORY	
				angles 0° ±2°		size dwg no	
				dr JASMINE CHIANG 8/20/03'	scale N/A	A4 10022711	
				enrg JASON HSU 8/20/03'		code -	
				chr JASON HSU 8/20/03'		sheet 2 of	
				appd JAMES HSU 8/20/03'			
sheet index	revision sheet					cage code	
						22526	

ACAD

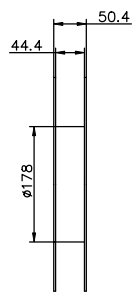
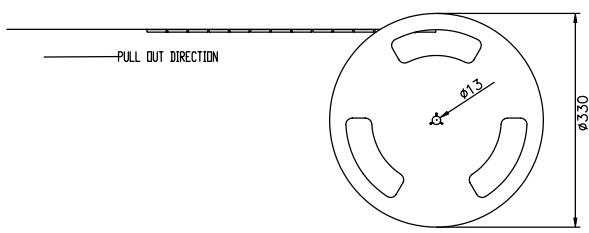
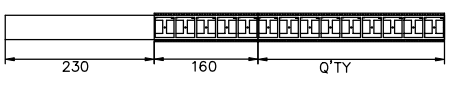
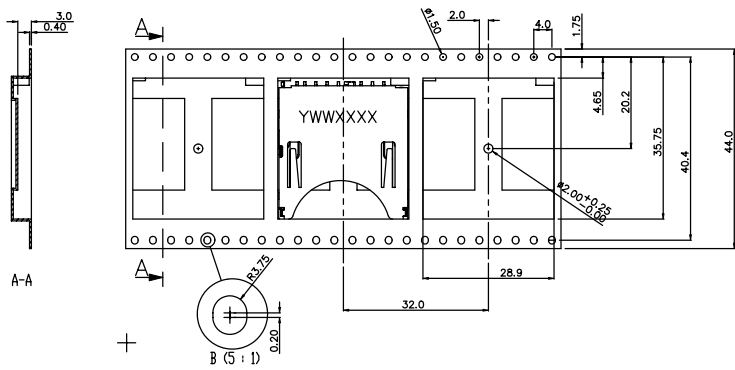
PDM: Rev:H

STATUS Released

Printed: Oct 10, 2006

Tous droits strictement réservés. Reproduction ou communication a des tiers interdite sous quelque forme que ce soit sans autorisation écrite du propriétaire. Propriété de c FCI. Droits de reproduction FCI.

All rights strictly reserved. Reproduction or issue to third parties in any form whatever is not permitted without written authority from the proprietor. Property of FCI. Copyright FCI.



NOTES :
 1. MATERIAL :
 CARRIER TAPE: POLYSTYRENE , COLOR : BLACK
 COVER TAPE : POLYSTYRENE , COLOR : TRANSPARENT
 PLASTIC RELL : POLYSTYRENE , COLOR : BLUE
 2. QUANTITY : 300PCS/REEL

mat'l. code				tolerances unless otherwise specified		CUSTOMER COPY		FCI		www.fciconnect.com		
ltr	ecn no	dr	date	linear	.X ±.38	projection	title	SD CARD HEADER PUSH TYPE				
H					.XX ±.25				product family	MEMORY		code
				angles	.XXX ±.10					MM	size	dwg no
				dr	JASMINE CHIANG 8/20/03'	scale	N/A	A4	10022711	sheet		
				enr	JASON HSU 8/20/03'					3 of		
				chr	JASON HSU 8/20/03'							
				appd	JAMES HSU 8/20/03'							
sheet index	revision sheet											

ACAD PDM: Rev:H 3 STATUS Released 2008 Oct 10, 2008 cage code 20526 4

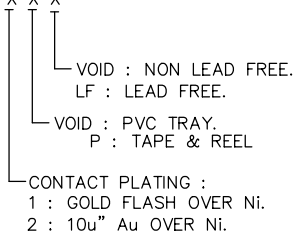
NOTES :

1. MATERIAL :
 INSULATOR : UL 94V-0, LCP+30%G/F, COLOR : BLACK
 SIGNAL CONTACTS : PHOSPHOR BRONZE, C5210R-SH.
 CD/WP CONTACTS : Ti-Cu, TICUR1-M-EH.
 SHIELD: STAINLESS STEEL SUS-301.
2. PLATING SPEC:
 CONTACT: 50u" Min NICKEL UNDERPLATED ALL OVER,
 100u" Min TIN/LEAD OR MATTE TIN ON SOLDER TAIL AREA,
 SELECTIVE GOLD PLATED ON CONTACT AREA.
3. PRODUCT SPECIFICATION: GS-12-241.
4. PACKAGING SPECIFICATION: GS-14-851.
5. CARD PULLING-OUT FORCE EXCEED 0.36KGF(3.5N)
 UNDER LOCKING-CONDITION.
6. MULTIMEDIA CARD COMPATIBLE.
7. WP: WRITE PROTECT
 CD: CARD DETECT INDICATION
8. LEAD FREE NOTES:

- 8.1. THE HOUSING WILL WITHSTAND EXPOSURE TO 260°C PEAK
 TEMPERATURE FOR 10 SECONDS IN A CONVECTION, IR OR VAPOR
 PHASE REFLOW OVEN.
- 8.2. THIS PRODUCT (10022711-00XXLF) MEETS THE EUROPEAN UNION
 DIRECTIVE AS DESCRIBED IN GS-22-008.

9. PART NUMBER DESCRIPTIONS:

10022711- 0 0 X X X



Tous droits strictement reserves. Reproduction ou communication a des tiers interdite sous quelque forme que ce soit sans autorisation écrite du propriétaire. Propriete de c FCI. Droits de reproduction FCI.



All rights strictly reserved. Reproduction or issue to third parties in any form whatever is not permitted without written authority from the proprietor. Property of FCI. Copyright FCI.

mat'l. code				tolerances unless otherwise specified				CUSTOMER COPY		FCI www.fciconnect.com	
ltr	ecn no	dr	date	linear	.X ±.38			projection	SD CARD HEADER PUSH TYPE		
H					.XX ±.25				MM	product family MEMORY	
				angles	.XXX ±.10			scale		size dwg no	
					0° ±2°				N/A	A4 10022711	
				dr	JASMINE CHIANG	8/20/03'					
				enqr	JASON HSU	8/20/03'					
				chr	JASON HSU	8/20/03'					
				appd	JAMES HSU	8/20/03'					
sheet index	revision sheet										