

# T1/E1/CEPT/ISDN-PRI TRANSFORMERS

## Dual SMT Low Height Package



**NEW Low Height Package!**



- New low height design: only 0.17 inches tall
- Well suited for low height and compact PCI applications
- Matched to PMC-Sierra's PM4351 COMET Transceiver
- Dual SMT package contains both transmit and receive transformers
- Isolation voltage: 1500Vrms
- SMT package withstands 235°C solder reflow temperature

### Electrical Specifications @ 25°C

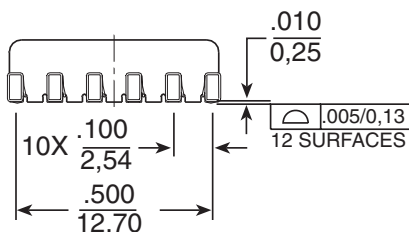
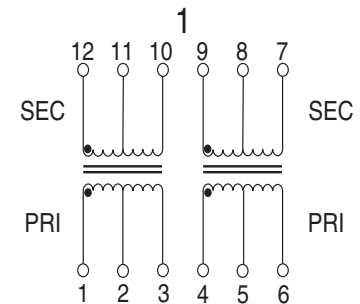
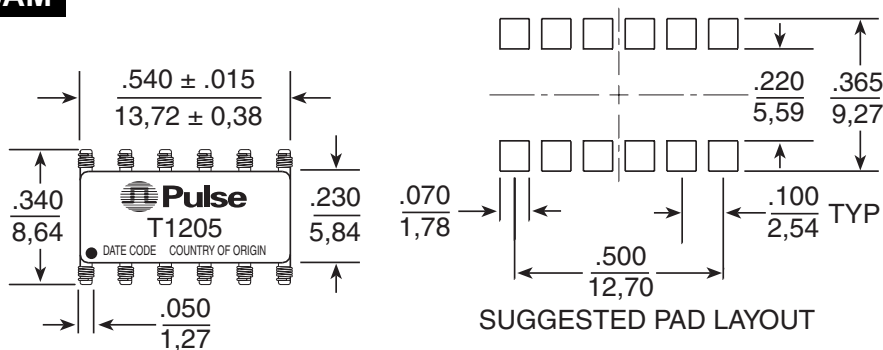
Part No.	Turns Ratio (Pri:Sec±2%)	OCL (mH MIN)	C <sub>w/w</sub> (pF MAX)	L <sub>L</sub> (μH MAX)	DCR Pri (Ω MAX)	DCR Sec (Ω MAX)	Package/ Schematic	Primary Pins
T1205	1CT:2.42CT & 1CT:2.42CT	1.20 & 1.20	30 & 30	.60 & .60	0.70 & 0.70	1.20 & 1.20	SAM/1	1-3, 4-6

**NOTE:** Optional Tape & Reel packaging can be ordered by adding a "T" suffix to the part number, (i.e. T1205T). Other models available. Contact Pulse Applications Engineering.

### Mechanical

### Schematic

#### SAM



Weight .....0.56 grams  
Tape & Reel .....1000/reel  
Tube .....35/tube

Dimensions: Inches  
mm  
Unless otherwise specified,  
all tolerances are ± .010  
0.25

### For More Information:

#### Pulse Worldwide Headquarters

12220 World Trade Drive  
San Diego, CA 92128  
U.S.A.

[www.pulseeng.com](http://www.pulseeng.com)  
TEL: 858 674 8100  
FAX: 858 674 8262

#### Pulse Northern Europe

3 Huxley Road  
Surrey Research Park  
Guildford, Surrey GU2 5RE  
United Kingdom

TEL: 44 1483 401700  
FAX: 44 1483 401701

#### Pulse Southern Europe

Zone Industrielle  
F-39270  
Orgelet  
France

TEL: 33 3 84 35 04 04  
FAX: 33 3 84 25 46 41

#### Pulse China Headquarters

No. 1  
Industrial District  
Changan, Dongguan  
China

TEL: 86 769 5538070  
FAX: 86 769 5538870

#### Pulse North China

Room 1002  
No. 819  
Nanjing West Rd  
Shanghai  
China

TEL: 86 21 32181071  
FAX: 86 21 32181396

#### Pulse South Asia

150 Kampong Ampat  
#07-01/02  
KA Centre  
Singapore 368324

TEL: 65 6287 8998  
FAX: 65 6280 0080

#### Pulse North Asia

3F-4, No. 81, Sec. 1  
Hsin Tai Wu Road  
Hsi-Chih  
Taipei Hsien  
Taiwan

TEL: 886 2 26980228  
FAX: 886 2 26980948

Performance warranty of products offered on this data sheet is limited to the parameters specified. Data is subject to change without notice. Other brand and product names mentioned herein may be trademarks or registered trademarks of their respective owners.

© Copyright, 2006. Pulse Engineering, Inc. All rights reserved.

[www.pulseeng.com](http://www.pulseeng.com)

T652.A (1/06)