

ISDN MAGNETICS

U Interface Surface Mount Transformers

TM00205

- Designed to interface with Motorola MC145572 transceiver IC
- Minimum interwinding breakdown voltage of 1500 Vrms

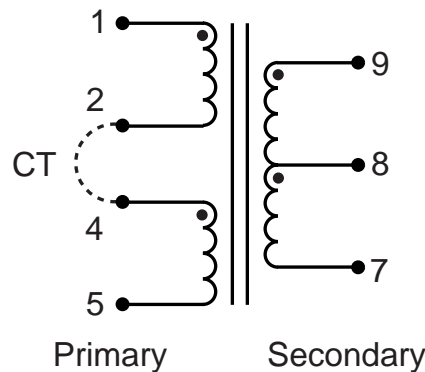
ELECTRICAL SPECIFICATIONS at 25° C

Part Number	Turns Ratio ± 3%	Primary Inductance* mH min	Leakage Inductance µH max	DCR Ω max		Interwinding Capacitance µF max
				Pri	Sec	
S559-6204-06	1.25 : 1 CT	26.5	28	4	12	185

* Measured at 10 kHz, 0.1 Vac

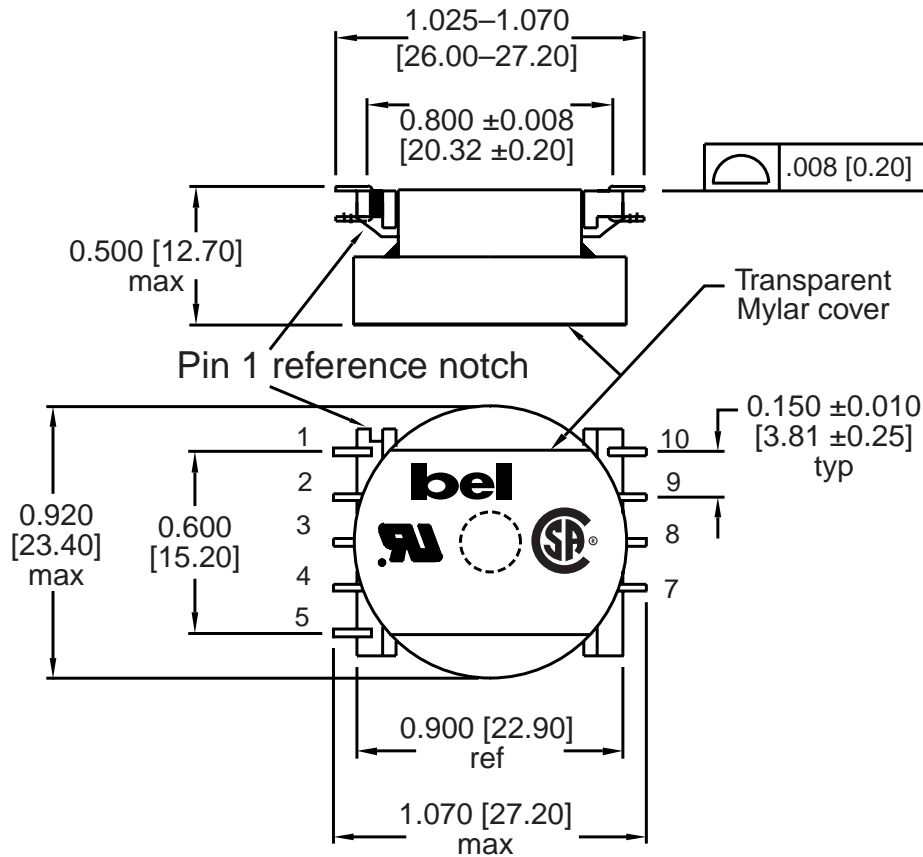
SCHEMATIC

S559-6204-06



MECHANICAL

S559-6204-06



Dimensions are in inches [millimeters].
Standard dimension tolerance is
±0.005 [0.13] unless otherwise noted.

©2000 Bel Fuse Inc. Specifications subject to change without notice. 05.00

CORPORATE

Bel Fuse Inc.
198 Van Vorst Street
Jersey City, NJ 07302
Tel 201-432-0463
Fax 201-432-9542
www.belfuse.com

T2-12

FAR EAST

Bel Fuse Ltd.
8F / 8 Luk Hop Street
San Po Kong
Kowloon, Hong Kong
Tel 852-2328-5515
Fax 852-2352-3706
www.belfuse.com

EUROPE

Bel Fuse Europe Ltd.
Preston Technology Management Centre
Marsh Lane, Suite G7, Preston
Lancashire, PR1 8UD, U.K.
Tel 44-1772-556601
Fax 44-1772-888366
www.belfuse.com