

10/100BASE-T LAN MAGNETICS

Dual Transformer Modules

LM00405

- Dual, two-port designs provide excellent EMI and common mode noise suppression
- Meets all IEEE 802.3 standards including 350µH with 8mA bias
- Optimized for board layouts utilizing single row and dual stack RJ-45 connectors
- Low profile, surface mount packaging rated to 225° C peak IR reflow temperature
- Operating temperature 0° to 70° C
- Minimum interwinding breakdown voltage of 1500 Vrms

ELECTRICAL SPECIFICATIONS AT 25° C

Part Number	Insertion Loss dB max	Return Loss dB min				Common to Differential Mode Rejection dB min	Common to Common Mode Rejection dB min	Crosstalk dB min			
		100kHz to 100MHz	100kHz to 30MHz	30MHz to 60MHz	60MHz to 80MHz			100kHz to 100MHz		1MHz	30MHz
S558-5999-65	-1.0	-20	-18	-10	-40	-30	-65	-55	-45	-35	
S558-5999-75	-1.0	-20	-18	-10	-40	-30	-65	-55	-45	-35	
S558-5999-79	-1.0	-20	-18	-10	-40	-30	-65	-55	-45	-35	
S558-5999-83	-1.0	-20	-18	-10	-40	-30	-65	-55	-45	-35	
S558-5999-A4	-1.0	-20	-18	-10	-40	-30	-65	-55	-45	-35	
S558-5999-A6	-1.0	-20	-18	-10	-40	-30	-65	-55	-45	-35	
S558-5999-A8	-1.0	-20	-18	-10	-40	-30	-65	-55	-45	-35	
S558-5999-A9	-1.0	-20	-18	-10	-40	-30	-65	-55	-45	-35	

Part Number	Turns Ratio	
	TX	RX
S558-5999-65	2CT : 1 : 2CT	1CT : 1CT
S558-5999-75	1CT : 1	1CT : 1CT
S558-5999-79	1CT : 1	1CT : 1CT
S558-5999-83	1.23CT : 1CT	1CT : 1CT

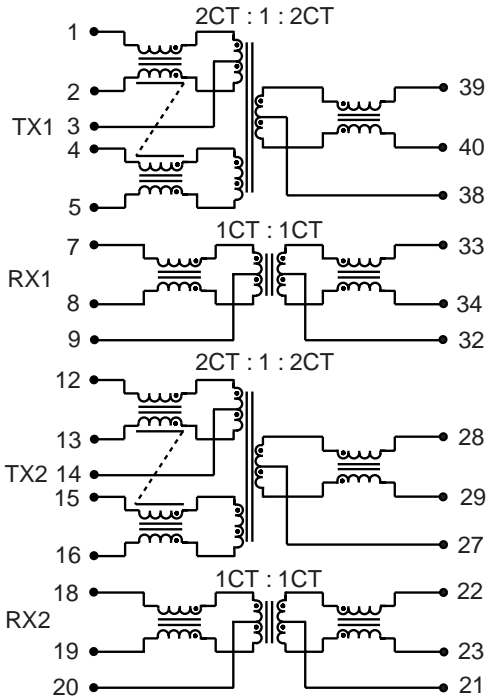
Part Number	Turns Ratio	
	TX	RX
S558-5999-A4	1CT : 1	1CT : 1CT
S558-5999-A6	1CT : 1	1CT : 1CT
S558-5999-A8	1CT : 1CT	1CT : 1CT
S558-5999-A9	1CT : 1CT	1CT : 1CT

©2001 Bel Fuse Inc. Specifications subject to change without notice. 09.01

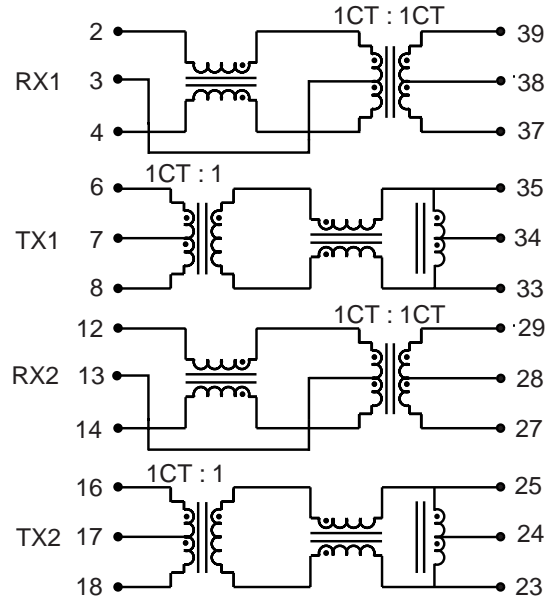
LM00405

SCHEMATICS

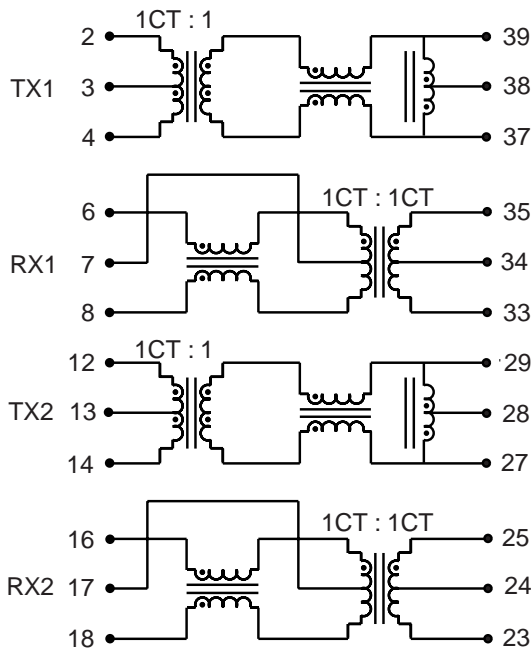
S558-5999-65



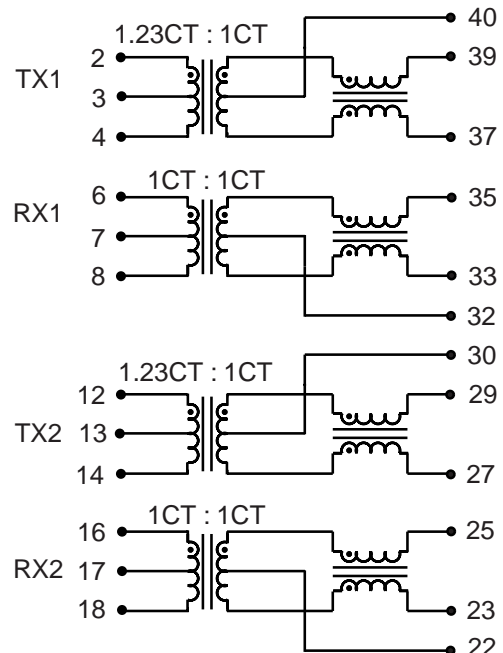
S558-5999-75



S558-5999-79



S558-5999-83



10/100BASE-T LAN MAGNETICS

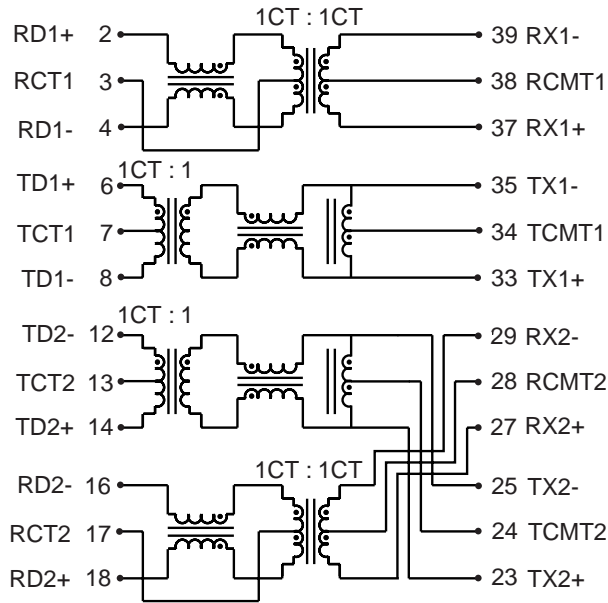
Dual Transformer Modules



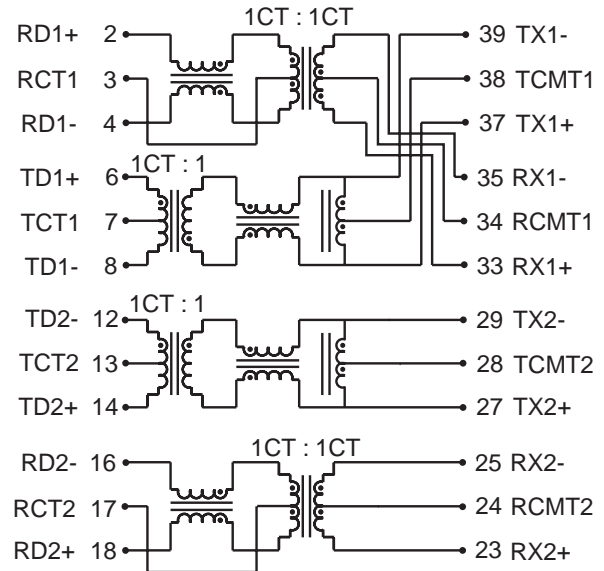
LM00405

SCHEMATICS

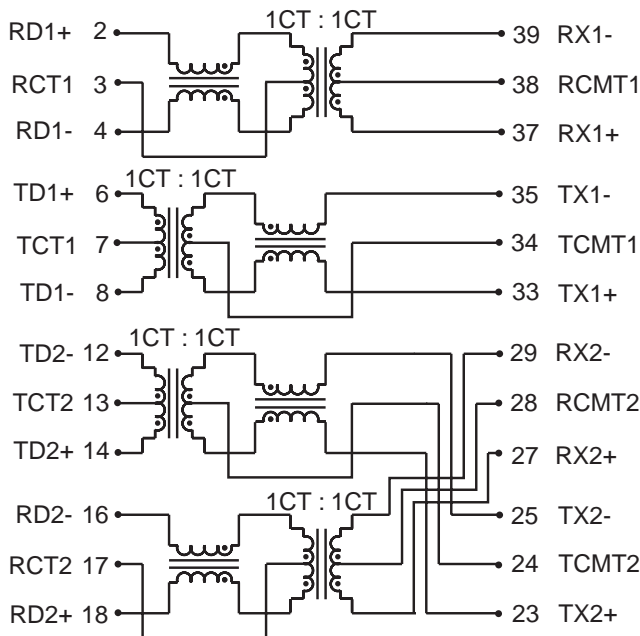
S558-5999-A4



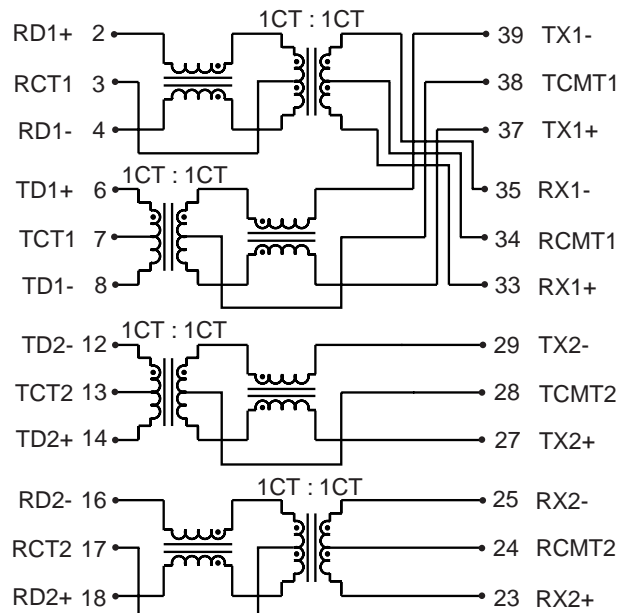
S558-5999-A6



S558-5999-A8



S558-5999-A9



©2001 Bel Fuse Inc. Specifications subject to change without notice. 09.01

Bel Fuse Inc. 206 Van Vorst Street, Jersey City, NJ 07302 • Tel 201-432-0463 • Fax 201-432-9542 • www.belfuse.com

