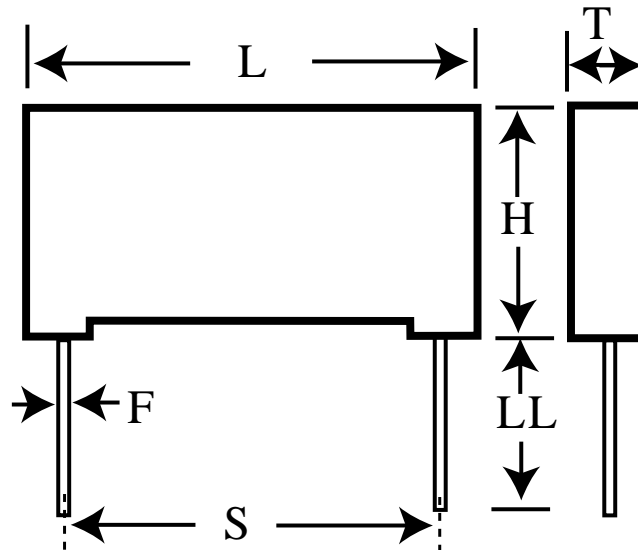


PME278RC5470MR30

aka P278CJ473M440A

Capacitor, film, 0.047 uF, +/-20% Tol, -40/+110C, Safety: X1, 440VAC,
Lead Spacing=20.3 mm



Dimensions (mm)

| ID | Dimension | Tolerance |
|----|-----------|-----------|
| L | 24 | max |
| H | 15 | max |
| T | 9 | max |
| S | 20.3 | +/-0.4 |
| LL | 30 | nom |
| F | 0.8 | nom |

Specifications

| | |
|-----------------------------|------------------|
| Manufacturer: | KEMET |
| Brand: | Rifa |
| Capacitance: | 0.047 uF |
| Temperature Range: | -40/+110C |
| Rated Temperature: | 110C |
| Voltage @ rated temp: | 1000V |
| Voltage AC: | 440VAC |
| Tolerance: | +/-20% |
| Body Type: | Radial Molded |
| Construction: | Non-inductive |
| Application: | Safety: X1 |
| Dielectric: | Metallized Paper |
| Dissipation Factor @ 1 kHz: | 1.3% |
| Insulation Resistance: | 12 GOhm |
| Maximum dVdT: | 1000v/us |
| IEC_60384-14: | 440V |
| EN_132400: | 440V |
| Miscellaneous Electrical: | PME278 |
| Package Kind: | Bulk |
| Package Quantity: | 200 |