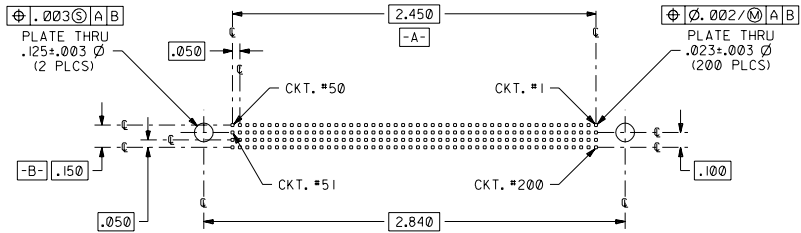
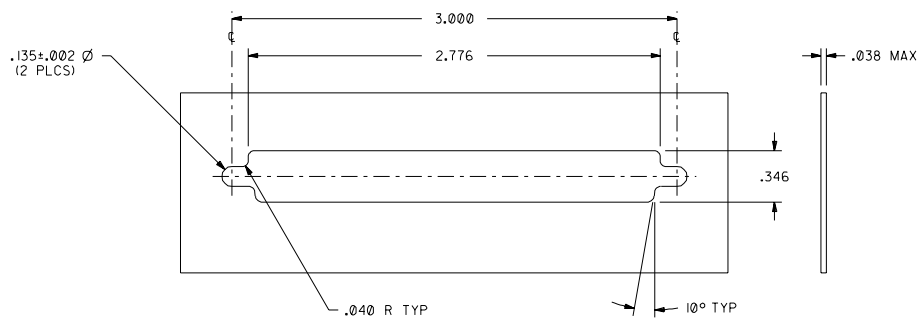


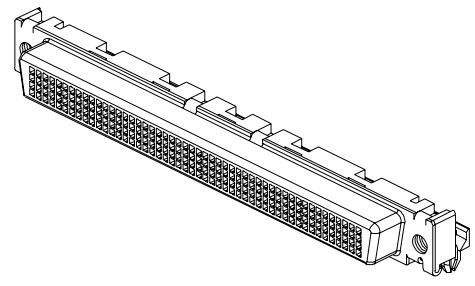
13 12 11 10 9 8 7 6 5 4 3 2 1



RECOMMENDED P.C. BOARD LAYOUT
(COMPONENT SIDE SHOWN)



RECOMMENDED PANEL CUT-OUT DIMENSIONS
(ALL TOLERANCES +/- 0.003 UNLESS INDICATED OTHERWISE)



MFG.		SH.		REV.	
DIMENSIONS SHOWN UNLESS OTHERWISE SPECIFIED					
TOLERANCES ANGULAR 1/2°					
INCH		METRIC			
± 0.010	± 0.10	---			
± 0.005	± 0.05	---			
± 0.002	± 0.02	---			
DRAFT WHERE APPLICABLE MUST REMAIN WITHIN DIMENSIONS					
DRWG. BY	GLT	CHK'D. BY	GLT	SCALE 2 : 1	
APP'D.	GWF	FILE NAME	57171802	DATE 05/15/95	
L.T.R.		REVISIONS		L.T.R.	
F1		SEE SHEET #1			

REVISIONS ONLY ON CAD SYSTEM

TITLE: 050° PITCH LFH, 200 CKT. RIGHT ANGLE I/O RECEPTACLE, SALES ASSEMBLY

MOLEX INCORPORATED
135/E.L.L.L.
68532

PART NO. SDA-71718-2***
SHEET NO. 2
DATE 05/15/95

DRWG. NO. CPP C

THIS DRAWING CONTAINS INFORMATION THAT IS PROPRIETARY TO MOLEX INC. AND SHOULD NOT BE USED WITHOUT WRITTEN PERMISSION.

13 12 11 10 9 8 7 6 5 4 3 2 1