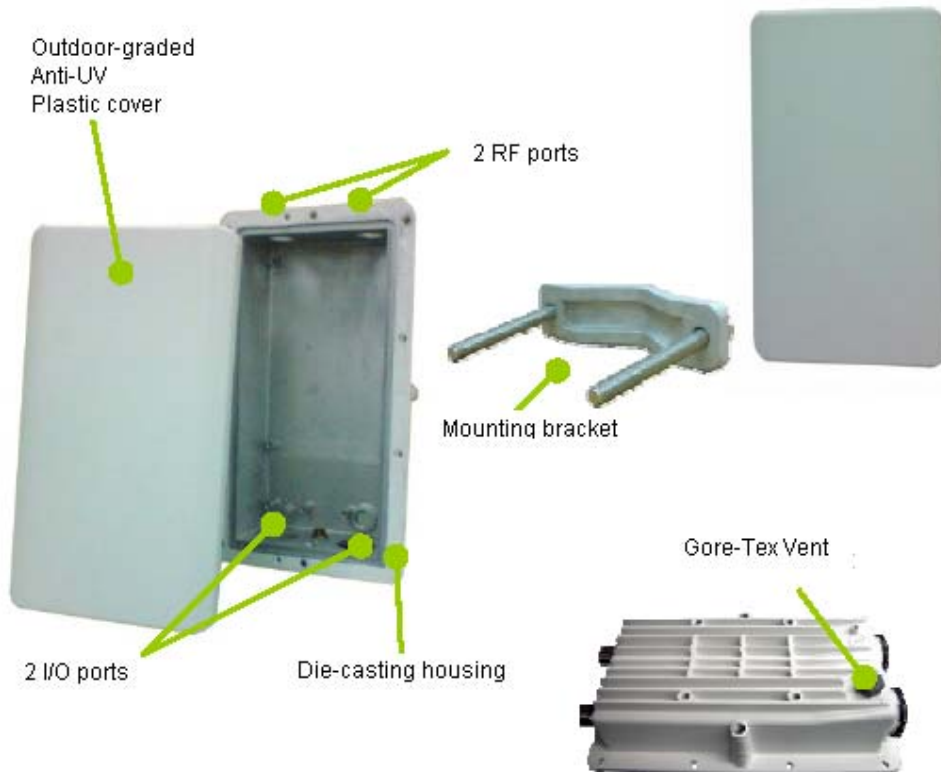


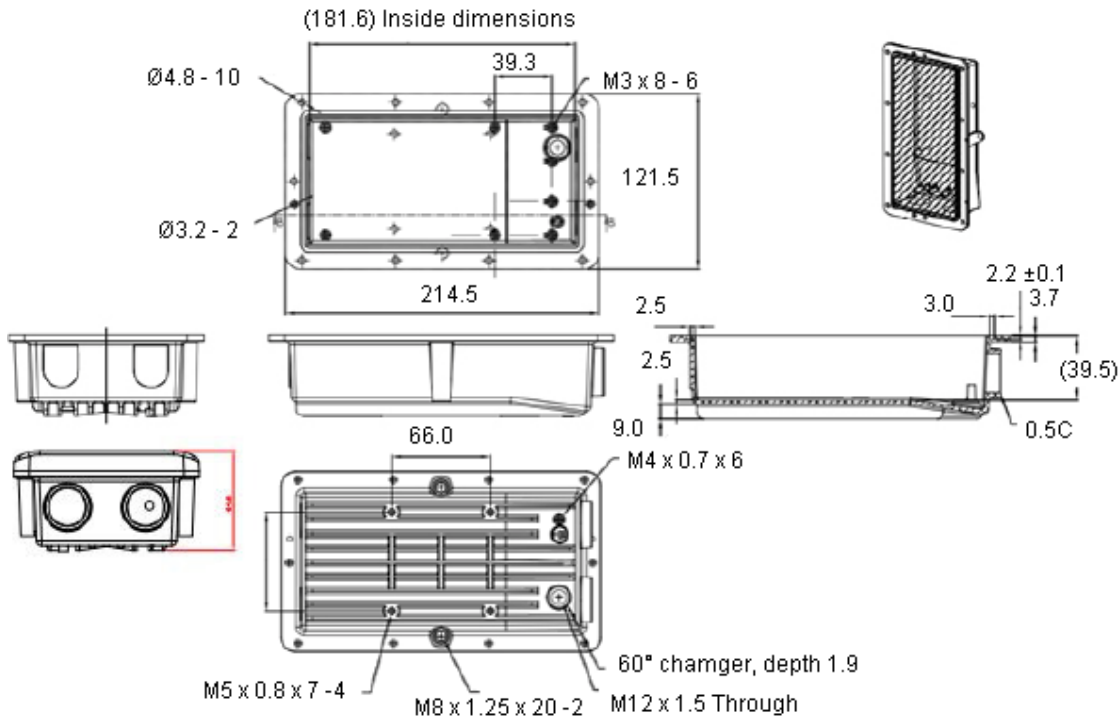
Outdoor IP67-rated Wireless Application Enclosure



<http://www.farnell.com>
<http://www.newark.com>
<http://www.cpc.co.uk>



Outdoor IP67-rated Wireless Application Enclosure



A highly customizable IP67 rated enclosure designed for wireless and industrial control systems in harsh environments. IP67 protection, total protection against dust ingress and the water ingress (water immersion up to 1 meter).

Features:

- Robust frame.
- Anti-corrosion.
- Full protection from dust ingress and water ingress (1m immersion).
- Convenient size for application integration.
- Ample space for PCB integration.
- Top 2 RF port options.
- Bottom 2 I/O ports options.
- Flexible and easy installation.
- Long life in fielded installations.
- Convenient for all application environments.

Specifications:

Material	: ADC12 die-casting alloy AL-Si-Mg based.
Ingress protection	: IP67.
Outer dimension	: (L) 215 x (W) 122 x (H) 66mm.
Interior space	: (L) 155 x (W) 85 x (H) 31mm.
RF/antenna	: Engineered holes - maximum 2 ports.
I/O/Ethernet	: Engineered holes - maximum 2 ports.
Mounting	: Pole and wall rotational-mounting.
Cover	: Outdoor-graded anti-UV plastic cover.
Operating temperature	: -40°C to 120°C.

<http://www.farnell.com>
<http://www.newark.com>
<http://www.cpc.co.uk>



Outdoor IP67-rated Wireless Application Enclosure



Applications:

Wire access points.
Industrial control systems.
Outdoor telecom base stations.
Power systems.

Part number Table

Description	Part Number
Enclosure, RF, Outdoor, IP67	GTT-AC-11-N

Disclaimer This data sheet and its contents (the "Information") belong to the Premier Farnell Group (the "Group") or are licensed to it. No licence is granted for the use of it other than for information purposes in connection with the products to which it relates. No licence of any intellectual property rights is granted. The Information is subject to change without notice and replaces all data sheets previously supplied. The Information supplied is believed to be accurate but the Group assumes no responsibility for its accuracy or completeness, any error in or omission from it or for any use made of it. Users of this data sheet should check for themselves the Information and the suitability of the products for their purpose and not make any assumptions based on information included or omitted. Liability for loss or damage resulting from any reliance on the Information or use of it (including liability resulting from negligence or where the Group was aware of the possibility of such loss or damage arising) is excluded. This will not operate to limit or restrict the Group's liability for death or personal injury resulting from its negligence. SPC Multicomp is the registered trademark of the Group. © Premier Farnell plc 2009.

<http://www.farnell.com>
<http://www.newark.com>
<http://www.cpc.co.uk>

