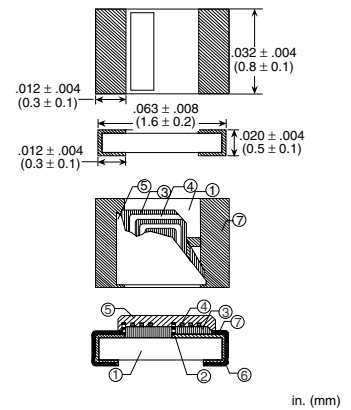


## SML0603 Thin Film RF Inductors



PART NUMBER	L nH	TOL.	Q TYP.	TEST FREQ. MHz	SRF MHz TYP.	DCR OHMS TYP.	CURRENT RATING DC mA TYP.	MARKING
SML0603-0010	1.0	± .2nH	13	500	13000	.05	650	L1
SML0603-0012	1.2	± .2nH	15	500	13000	.06	650	L2
SML0603-0015	1.5	± .2nH	20	500	10000	.07	650	L3
SML0603-0018	1.8	± .2nH	20	500	10000	.08	650	L4
SML0603-0022	2.2	± .2nH	25	500	8000	.09	500	22
SML0603-0027	2.7	± .2nH	25	500	8000	.10	500	27
SML0603-0033	3.3	± .2nH	25	500	6000	.11	500	33
SML0603-0039	3.9	± .2nH	25	500	6000	.12	500	39
SML0603-0047	4.7	± .2nH	25	500	5000	.15	500	47
SML0603-0056J	5.6	± 5%	25	500	5000	.22	500	56
SML0603-0068J	6.8	± 5%	25	500	4000	.26	500	68
SML0603-0082J	8.2	± 5%	25	500	3000	.30	500	82
SML0603-0100J	10.0	± 5%	25	500	3000	.42	450	10
SML0603-0120J	12.0	± 5%	25	500	2700	.46	400	12
SML0603-0150J	15.0	± 5%	25	500	2400	.60	350	15
SML0603-0180J	18.0	± 5%	12	200	1700	.90	350	H1
SML0603-0220J	22.0	± 5%	13	200	1500	1.10	300	H2
SML0603-0270J	27.0	± 5%	13	200	1400	1.40	300	H3
SML0603-0330J	33.0	± 5%	14	200	1300	1.60	250	H4
SML0603-0390J	39.0	± 5%	14	200	1100	1.70	250	H5
SML0603-0470J	47.0	± 5%	13	200	1000	1.90	250	H6
SML0603-0560J	56.0	± 5%	13	200	800	3.50	100	H7
SML0603-0680J	68.0	± 5%	13	200	700	4.00	100	H8
SML0603-0820J	82.0	± 5%	13	200	600	4.50	100	H9



① Alumina Ceramic Substrate	② Cross Conductor	③ Polimide Insulator
④ Cu Plating Coil Pattern	⑤ Epoxy Passivation	⑥ Ni Barrier
⑦ Solder Coating		

### NOTES:

- Operating temperature -40°C to +125°C

### TAPE AND REEL SPECS:

Pcs./Reel maximum:	4000
Pitch between parts:	4 mm
Tape width:	8 mm
Reel diameter inches:	7