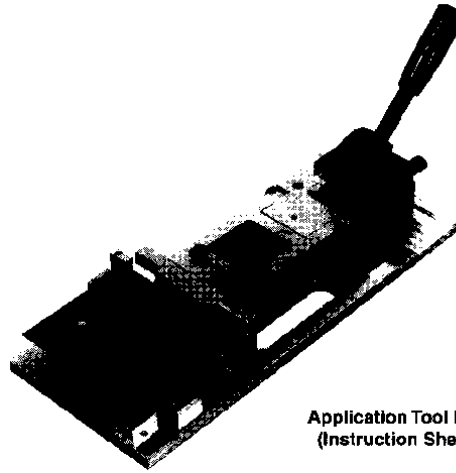


**MICTOR Connectors (Continued)**
**Application Tooling for MICTOR Right Angle Connectors**

Two operations must be performed so that the MICTOR right-angle connector can be successfully installed on a PC board. First, the board must be slit for the ground/bus bar. At the customer's option, this operation may be done at the time of board manufacture. Second, the right-angle connector must be properly placed on the board.

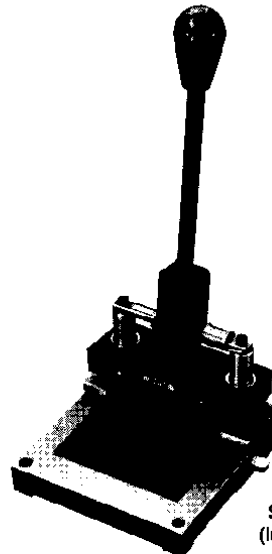
AMP offers bench-mount tooling for slitting the PC board (see below) and a free-standing tool for installing the connector (shown at the right). AMP Application Specification No. 114-11004 and Instruction Sheets are available to provide the necessary instructions and recommendations for proper tool use.



**Application Tool Number 767511-1**  
(Instruction Sheet No. 408-4335)

**Replacement Components for Tool Number 767511-1**

Connector Size (No. of Positions)	Board Locator Pin		Plug Insertor	Receptacle Insertor	Support Pillar
	Round	Diamond			
38	767523-1	767526-1	767514-1	767570-1	767522-1
76	767523-1	767526-1	767514-2	767570-2	767522-1
114	767523-1	767526-1	767514-3	767570-3	767522-1
152	767523-1	767526-1	767514-4	767570-4	767522-1
190	767523-1	767526-1	767514-5	767570-5	767522-1
228	767523-1	767526-1	767514-6	767570-6	767522-1
266	767523-1	767526-1	767514-7	767570-7	767522-1



**Slitting Tool Number 767527-1**  
(Instruction Sheet No. 408-4334)

**Replacement Components for Tool Number 767527-1**

Component Description	Quantity Required for Each Increment of 38 Positions (0.64 [.025] Centerline)	Part Numbers
Slitting Punch (Set of 35)	5	767532-1
Die Insert* (Set of 7)	1	767530-1

\* The die insert is located in the tool with a 3.18 x 28.58 [.125 x 1.125] long dowel and held in place with a 6-32 UNC-2A x 7.94 mm [5/16"] long socket head cap screw (not included with replacement insert).