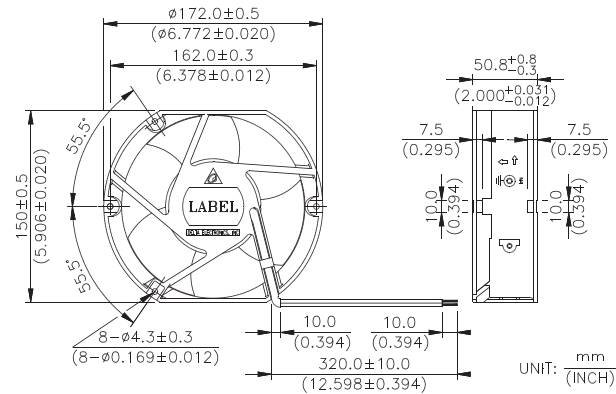


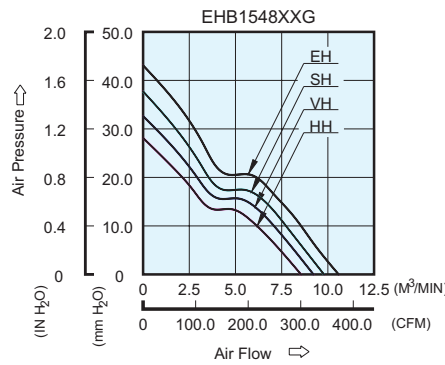
# EHB 172 x 150 x 50.8 MM SERIES

## DIMENSIONS DRAWING

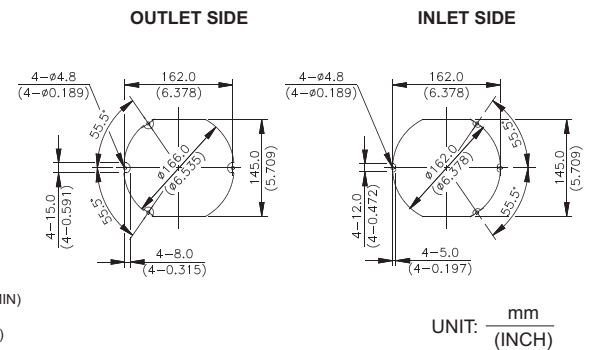


- \* Bearing Type  
Ball Bearings
- \* Material  
Impeller : Plastic (UL 94V-0)  
Frame: Die-Cast Aluminum
- \* Lead Wires :  
UL 1007 AWG #24 OR Equivalent  
Red Wire Positive (+)  
Black Wire Negative (-)
- \* Weight : 800g (28.22 oz)

## P & Q CURVE (AT RATED VOLTAGE)



## MOUNTING PANEL CUTOUT



MODEL		Rated Voltage	Operating Voltage Range	Input Current	Input Power	Speed	Maximum Air Flow		Maximum Air Pressure		Noise
PART NO.	FUNCTION	VDC	VDC	Amp	Watt	R.P.M.	m³/min	CFM	mmH <sub>2</sub> O	IN H <sub>2</sub> O	dB-A
EHB1548HHG	-R00 / -F00	48	32.0 to 80.0	0.61	29.28	4300	8.565	302.47	28.33	1.115	62.5
EHB1548VHG	-R00 / -F00	48	32.0 to 80.0	0.72	34.56	4600	9.235	326.13	32.87	1.294	64.5
EHB1548SHG	-R00 / -F00	48	32.0 to 80.0	0.88	42.24	4900	9.828	347.08	37.89	1.492	66.5
EHB1548EHG	-R00 / -F00	48	32.0 to 80.0	1.20	57.60	5200	10.608	374.62	43.27	1.703	68.5

- \* Function type is optional.
- \* The max. air flow and the speed are measured in free air ; max. air pressure is measured at zero air flow.
- \* Noise is measured in anechoic chamber in free air, one meter from intake side.
- \* All readings are typical values at rated voltage.
- \* Specifications are subject to change without notice.