

**MICRO SWITCH**  
A DIVISION OF HONEYWELL INTERNATIONAL CORPORATION  
FED. MFR. CODE 91929

SWITCH - ENCLOSED

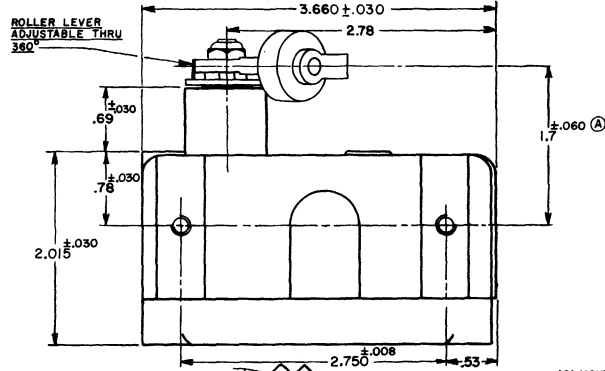
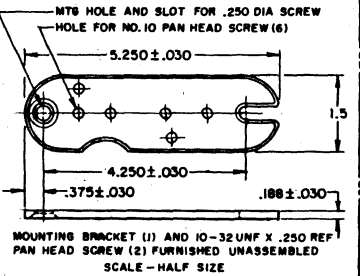
CATALOG LISTING

EX-CR

THIS DRAWING COVERS A PROPRIETARY ITEM AND IS THE PROPERTY OF MICRO SWITCH, A DIVISION OF HONEYWELL. THIS DRAWING IS NOT TO BE COPIED OR USED WITHOUT THE APPROVAL OF MICRO SWITCH.

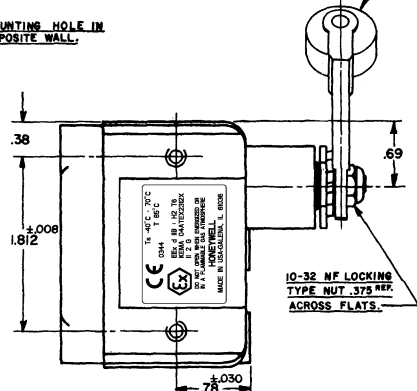
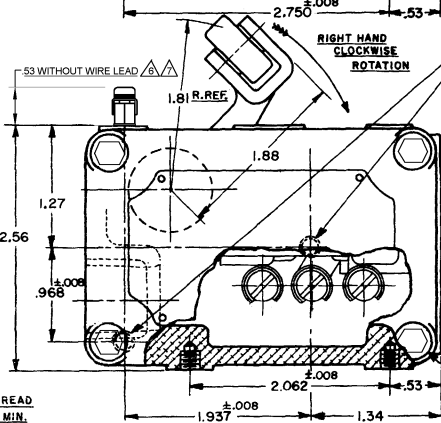
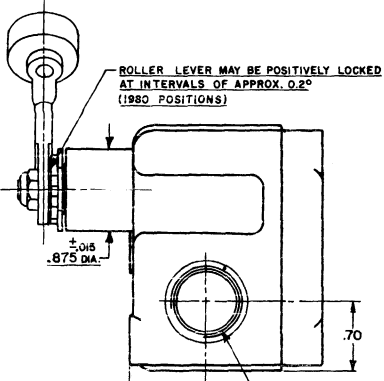
M

EX-CR  
M  
DRAWING NUMBER  
ISSUE 24  
REPLACES  
ISSUE 3



**OBSOLETE**

750<sup>REF</sup> DIA. X .312<sup>REF</sup> WIDE ROLLER  
MADE OF NON-SPARKING WEAR  
RESISTANT MATERIAL



4 X 5mm HEX DRIVE CAP SCREW, WRENCH FURNISHED WITH PRODUCT

RASTER

CHARACTERISTICS	
OPERATING FORCE	1/2 - 1 1/4 LBS.
RELEASE FORCE	1/4 LB. MIN.
PRETRAVEL	.219 MAX. (6°)
DIFFERENTIAL TRAVEL	.007 MAX. (1/4°)
DO NOT OVERTRAVEL MORE THAN	90°
SWITCH-BASIC REPLACEMENT	-BZ-2R-P4

ELECTRICAL DATA	
CONTACT ARRANGEMENT	S.P.D.T.
-L96-	15 A-125, 250, OR 480 VAC 1/2 A-125 VDC, 1/4 A-800 VDC 1/8 HP-125 VAC, 1/4 HP-180 VAC

SCALE FULL	
DO NOT SCALE PRINT	
UNLESS OTHERWISE SPECIFIED	
DIMENSIONS ARE IN INCHES	
TOLERANCES ARE:	
ONE PLACE (.0)	±.030
TWO PLACE (.00)	±.018
THREE PLACE (.000)	±.008
ANGLES	±.008
WEIGHT	

- NOTE-
- 1 - (8) MOUNTING SCREW HOLES, 10-32 NF-28 THREADS X .219<sup>REF</sup> DEEP.
  - 2 - 8-32 NC X .219<sup>REF</sup> TERMINAL SCREWS AND CUPWASHERS.
  - 3 - EXPLOSION PROOF - UNDERWRITERS LAB. INC. LISTED FOR HAZARDOUS LOCATIONS NEMA 7, CLASS I, GROUPS C AND D, NEMA 9 CLASS II, GROUPS E, F AND G.
  - 4 - EUROPEAN HAZARDOUS LOCATIONS DESIGNATION: EEx d IIB + H2 T6 CATEGORY II 2 G
  - 5 - SEAL RATING: NEMA 1
- EXTERNAL GROUND SCREW MAY BE ASSEMBLED TO ANY UNUSED MOUNTING SCREW HOLE  
ASSEMBLE PROVIDED SPLIT LOCKWASHER BETWEEN GROUND LUG AND HOUSING