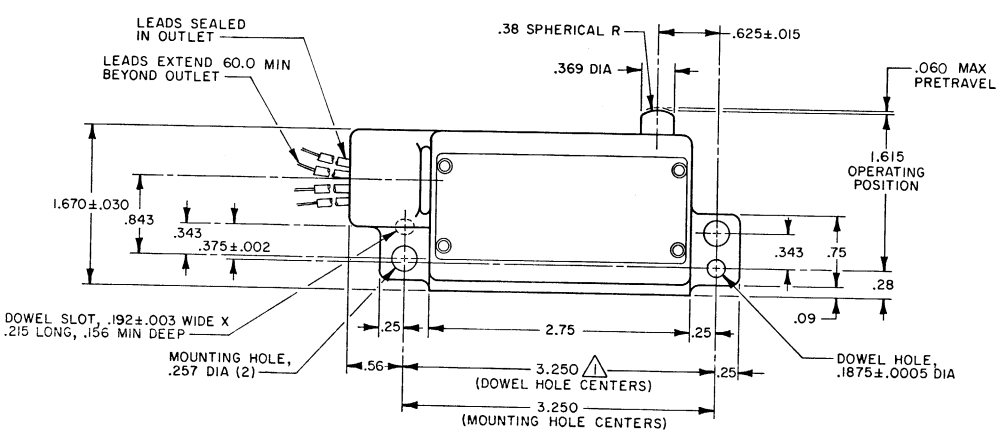
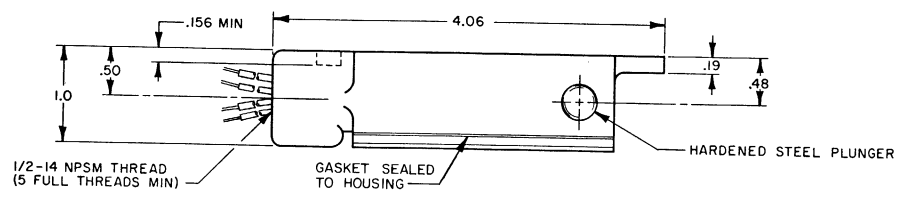
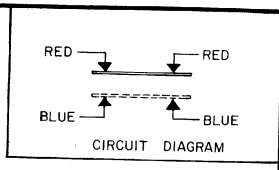


DRAWING NUMBER
M 1LN4-5-RH
 ISSUE
5
 REVISIONS
 A PR9787
 WJM
 2 FEB 81
 B K054998
 J A P
 27 APR 84
 CHECK
 CE 3
 2 FILE 81
 30 JAN 81
 WJM
 30 JAN 81
 WJM

MICRO SWITCH
 FREEPORT, ILLINOIS, U.S.A.
 A DIVISION OF HONEYWELL
 FED. MFG. CODE 9133

SWITCH - ENCLOSED
 CATALOG LISTING
1LN4-5-RH



NOTE
 DOWEL HOLES WILL ACCEPT .187 MAX DIA
 DOWEL PINS ON 3.250 X .375 ± .002 CENTERS

THIS DRAWING COVERS A PROPRIETARY ITEM AND IS THE PROPERTY OF MICRO SWITCH, A DIVISION OF HONEYWELL. THIS DRAWING IS NOT TO BE COPIED OR USED WITHOUT THE APPROVAL OF MICRO SWITCH.		SCALE FULL DO NOT SCALE PRINT																									
CHARACTERISTICS OPERATING FORCE ----- 6 LB MAX RELEASE FORCE ----- 1 LB MIN DIFFERENTIAL TRAVEL ----- .030 MAX OVERTRAVEL ----- .172 MIN	ELECTRICAL DATA CONTACT ARRANGEMENT (SEE CIRCUIT DIAGRAM) 10A-125 OR 250 VAC 1/2 HP - 125 VAC L 25	TOLERANCES DO NOT SCALE PRINT APPLY TO DIMENSIONS UNLESS OTHERWISE SPECIFIED REFERENCE UNLESS INDICATED OTHERWISE AND S <table border="1"> <tr> <th>SIZE</th> <th>FRAC</th> <th>DEC</th> <th>DIA</th> <th>TOL</th> </tr> <tr> <td>ALL PLACES</td> <td>1/16</td> <td>1/100</td> <td>1/16</td> <td>0.0030</td> </tr> <tr> <td>25 PLACES</td> <td>1/32</td> <td>1/100</td> <td>1/16</td> <td>0.0020</td> </tr> <tr> <td>ANGLE PLACES</td> <td>1/16</td> <td>1/100</td> <td>1/16</td> <td>0.0020</td> </tr> <tr> <td>ANGLES</td> <td>1/16</td> <td>1/100</td> <td>1/16</td> <td>0.0010</td> </tr> </table> DESIGN UNITS <input type="checkbox"/> METRIC <input checked="" type="checkbox"/> US CUSTOMARY THIRD ANGLE PROJECTION	SIZE	FRAC	DEC	DIA	TOL	ALL PLACES	1/16	1/100	1/16	0.0030	25 PLACES	1/32	1/100	1/16	0.0020	ANGLE PLACES	1/16	1/100	1/16	0.0020	ANGLES	1/16	1/100	1/16	0.0010
SIZE	FRAC	DEC	DIA	TOL																							
ALL PLACES	1/16	1/100	1/16	0.0030																							
25 PLACES	1/32	1/100	1/16	0.0020																							
ANGLE PLACES	1/16	1/100	1/16	0.0020																							
ANGLES	1/16	1/100	1/16	0.0010																							
WEIGHT		WEIGHT																									